




# “IMPULSE” Push-latch

DOORS AND DRAWER FRONTS DO NOT REQUIRE HANDLES THANKS TO THIS DEVICE WHICH IS AVAILABLE IN A VARIETY OF OPTIONS TO SATISFY DIFFERENT FURNITURE NEEDS. ITS ASSEMBLY COULD NOT BE EASIER AS IT IS AVAILABLE IN EMBEDDED AND LAY-ON FITTING VERSIONS WITH THEIR EQUIVALENT FITTING BASES. THE MAGNETIC OPTION, TOGETHER WITH OUR REVERSE-OPENING “MESUCO-143” HINGE, ENABLES THE DOOR TO BE PERFECTLY CLOSED WHILE MINIMISING THE GAP BETWEEN THE DOOR AND THE CABINET. AT THE SAME TIME A SIMPLE PUSH ALLOWS FULL DOOR EXTENSION THE EMBEDDED FITTING VERSION COMBINED WITH OUR “MARC” RUNNERS OR WITH STANDARD HINGE OPENING DOORS IS IDEAL SINCE IT ALLOWS MAXIMUM 40MM EXTENSION.



# “IMPULSE” Push-latch


		<i>pp.</i>
<b>1</b>	<b>PUSH-LATCH SERIES</b> .....	32
	■ EMBEDDED .....	32
	■ LAY-ON .....	33
	■ MOUNTING PLATES .....	33
<hr/>		
<b>2</b>	<b>TECHNICAL DATA</b> .....	34
	■ FIXING OF MOUNTING PLATES .....	34
	■ EXTENSION LENGTH CHOICE .....	35
	■ MOUNTING PLATE .....	35

## 1 PUSH-LATCH SERIES

			M143 STANDARD OPENING	M143 REVERSE OPENING	MARC GRAVITY
EMBEDDED	MAGNETIC	20 MM.	—	✓	—
		40 MM.	—	✓	—
	WITH STOP	20 MM.	✓	✗	✓
		40 MM.	✓	✗	✓
LAY-ON	MAGNETIC	20 MM.	—	✓	—
		40 MM.	—	✓	—
	WITH STOP	20 MM.	✓	✗	✓
		40 MM.	✓	✗	✓

### EMBEDDED


#### EMBEDDED "IMPULSE" MAGNETIC FITTING WITH ADHESIVE STOP.

LENGTH OF EXTENSION		20 MM.	40 MM.	
WHITE	RAL 9001	213.220.000	213.240.005	100
BLACK	RAL 9005	213.220.022	213.240.020	
GREY	RAL 7040	213.220.313	213.240.311	

EACH REFERENCE CONSISTS OF 1 FITTING AND AN ADHESIVE CLOSING STOP.




#### EMBEDDED "IMPULSE" FITTING.

LENGTH OF EXTENSION		20 MM.	40 MM.	
WHITE	RAL 9001	213.320.004	213.340.002	100
BLACK	RAL 9005	213.320.026	213.340.024	
GREY	RAL 7040	213.320.310	213.340.315	



#### EMBEDDED "IMPULSE" MAGNETIC FITTING WITH STOP. SCREW-FIXED.


LENGTH OF EXTENSION		20 MM.	40 MM.	
WHITE	RAL 9001	213.920.000	213.940.005	100
BLACK	RAL 9005	213.920.022	213.940.020	
GREY	RAL 7040	213.920.313	213.940.311	

EACH REFERENCE CONSISTS OF 1 FITTING, 1 END PLATE WITH Ø3x12 SCREW.



## LAY-ON


### LAY-ON MAGNETIC FITTING WITH ADHESIVE STOP.

LENGTH OF EXTENSION		20 MM.	40 MM.	
WHITE	RAL 9001	213.020.006	213.040.004	
BLACK	RAL 9005	213.020.021	213.040.026	
GREY	RAL 7040	213.020.312	213.040.310	

EACH REFERENCE CONSISTS OF 1 FITTING AND AN ADHESIVE CLOSING STOP.




### LAY-ON FITTING.

LENGTH OF EXTENSION		20 MM.	40 MM.	
WHITE	RAL 9001	213.120.003	213.140.001	
BLACK	RAL 9005	213.120.025	213.140.023	
GREY	RAL 7040	213.120.316	213.140.314	



### LAY-ON MAGNETIC FITTING WITH STOP. SCREW-FIXED.


LENGTH OF EXTENSION		20 MM.	40 MM.	
WHITE	RAL 9001	213.820.003	213.840.001	
BLACK	RAL 9005	213.820.025	213.840.023	
GREY	RAL 7040	213.820.316	213.840.314	

EACH REFERENCE CONSISTS OF 1 FITTING, 1 END PLATE WITH Ø3x12 SCREW.




## MOUNTING PLATES

### DOWEL-FIX BASE PLATE WITHOUT STOP.

				
WHITE	RAL 9001	214.000.006		
BLACK	RAL 9005	214.000.021		
GREY	RAL 7040	214.000.312		




### SCREW-FIX BASE PLATE WITH STOP.

				
WHITE	RAL 9001	214.100.003		
BLACK	RAL 9005	214.100.025		
GREY	RAL 7040	214.100.316		



### SCREW-FIX BASE PLATE WITHOUT STOP.

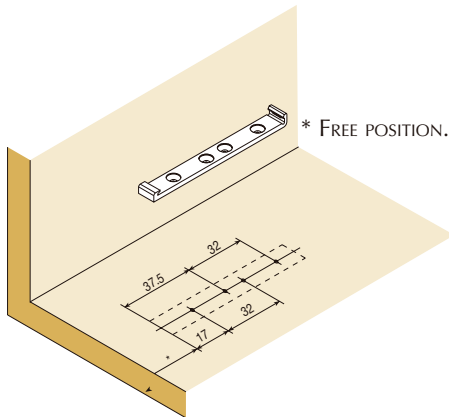
				
WHITE	RAL 9001	214.200.000		
BLACK	RAL 9005	214.200.022		
GREY	RAL 7040	214.200.313		



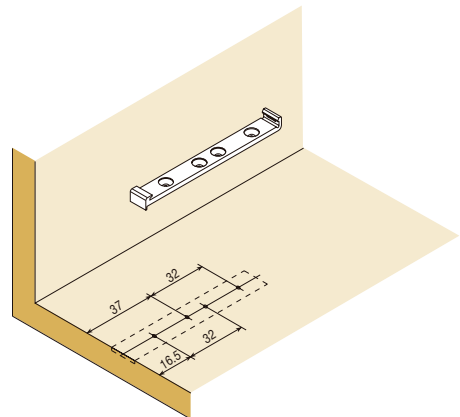
## 2 TECHNICAL DATA

### FIXING OF MOUNTING PLATES

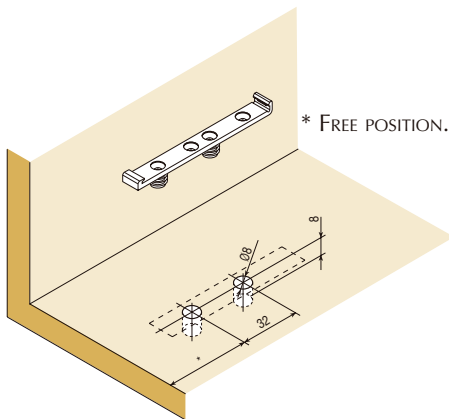
*Screw-fix base plate*



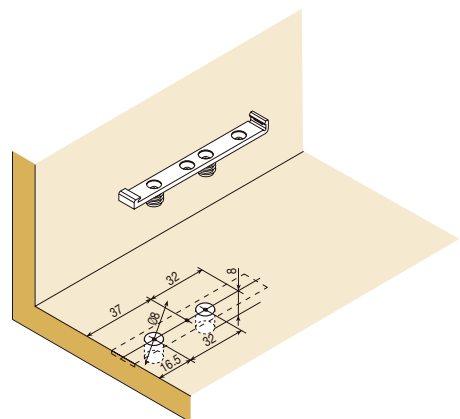
*Screw-fix base plate with front stop*



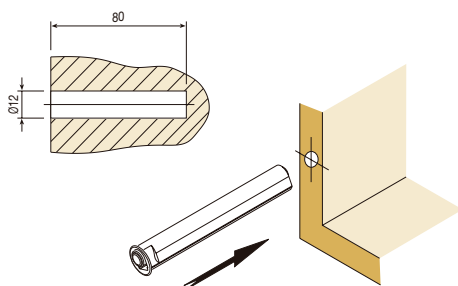
*Dowel-fix base plate*



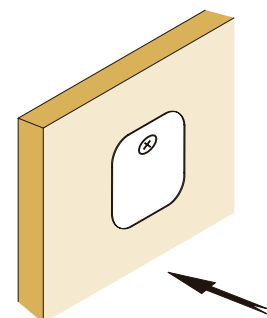
*Dowel-fix system 32 base plate*



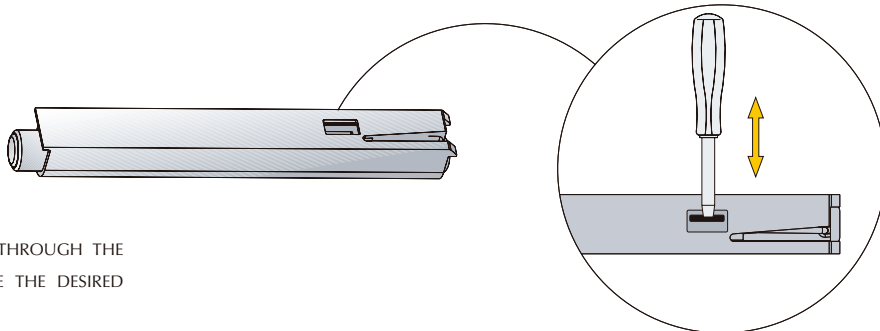
*Embedded fitting*



*Fixing stop*

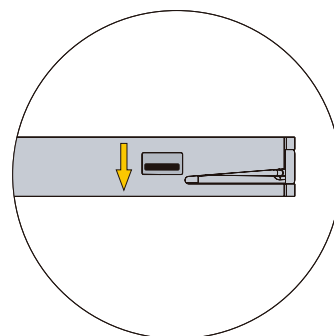
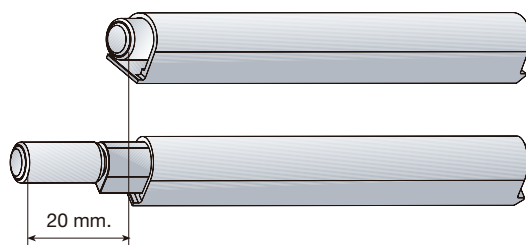


■ EXTENSION LENGTH CHOICE

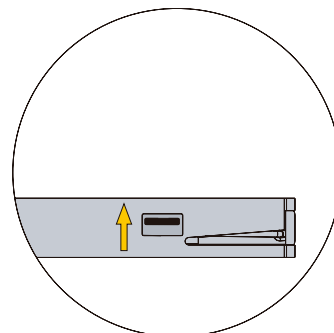
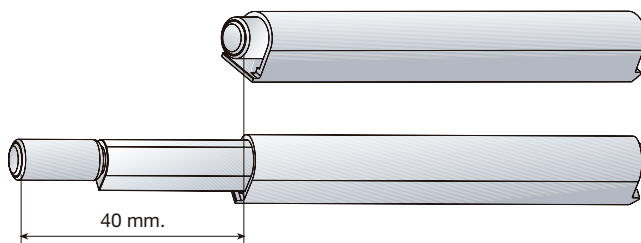


WITH THE FITTING CLOSED, PRESS THE TAB THROUGH THE WINDOW WITH A SCREWDRIVER TO CHOOSE THE DESIRED LENGTH OF EXTENSION.

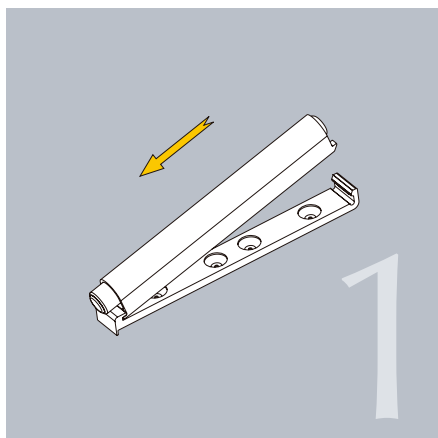
*20 mm. extension*



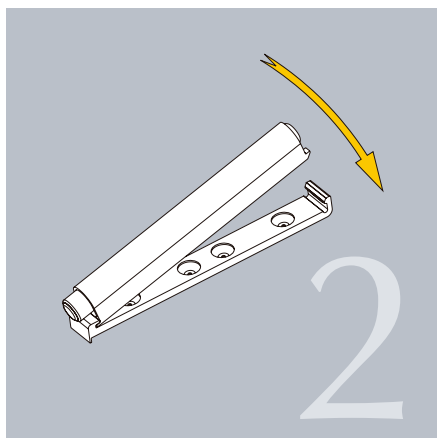
*40 mm. extension*



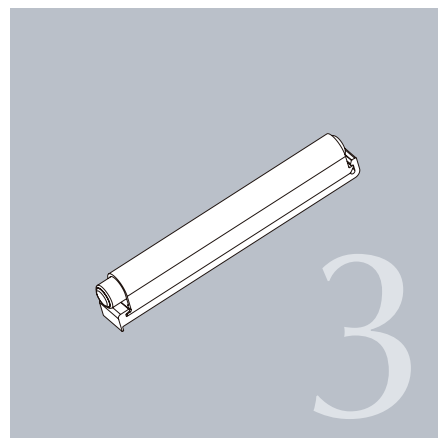
■ MOUNTING PLATE FITTING



CLIP THE BODY TO THE FRONT OF THE BASE PLATE.



PRESS THE BODY ONTO THE BACK OF THE BASE PLATE UNTIL FIXED.





# NOTES

---

---

---

---

---

---

---

---

---

---

---

---

---

---

---

---

---

---

---

---

---

---

---