



HIGH-RANGE HINGE.

INDEPENDENT ADJUSTMENT.

TWIN SCREW FOR GREATER SECURITY  
AND DURATION.




# “MESUCO 8”

Ø26 CUP HINGE. “SLIDE ON” ASSEMBLY.  
TOP OF THE RANGE.

# "MESUCO 8"

## Ø26 CUP HINGE. "SLIDE-ON" ASSEMBLY

HIGH-RANGE HINGE.  
INDEPENDENT ADJUSTMENT.  
TWIN SCREW FOR GREATER SECURITY AND DURATION.

		<i>pp.</i>
<b>1</b>	<b>HINGE GROUP</b> .....	123
<b>2</b>	<b>COVERS</b> ..... 	123
<b>3</b>	<b>MOUNTING PLATES</b> ..... 	124
<b>4</b>	<b>TECHNICAL DATA</b> .....	125
	■ <b>OPENING 95°</b> .....	125
	■ <b>OPENING 95° GLASS DOOR HINGE</b> ..... 	126

## 1 HINGE GROUP

		<p>988.715.066* * SUPPLIED TO ORDER.</p>		<p>986.912.065</p>		
		SCREW-FIXED	WITH DOWELS	GLASS DOOR HINGE		
		STEEL	STEEL	NYLON		
		NICKEL	NICKEL	WHITE	BROWN	BLACK
	0 mm. OPENING ANGLE 95°	010.000.115	010.009.112	010.050.213	010.050.316	010.050.412
	10 mm. OPENING ANGLE 95°	011.000.113	011.009.110	011.050.211	011.050.314	011.050.410
	17 mm. OPENING ANGLE 95°	012.000.111	012.009.115	012.050.216	012.050.312	012.050.415

## 2 COVERS

### COVER

NYLON	SILVER-POLISH	351.600.222
NYLON	GOLD-POLISH	351.600.233
NYLON	BLACK	351.600.255



### ADAPTOR

NYLON	351.610.000
-------	-------------



### COVER

NYLON	SILVER-POLISH	351.800.223
NYLON	GOLD-POLISH	351.800.234
NYLON	BLACK	351.800.256



### ADAPTOR

NYLON	351.810.001
-------	-------------



### 3 MOUNTING PLATES

HEIGHT MM.			0	2	4	7	10	
		SCREW-FIXED	ZAMAK NATURAL	080.000.001	080.000.104			
		KNOCK-IN	NYLON WHITE BROWN BLACK	080.100.031 080.100.042 080.100.053	080.100.134 080.100.145 080.100.156	080.100.230 080.100.241 080.100.252	080.100.333 080.100.344 080.100.355	080.100.436 080.100.440 080.100.451
		SCREW-FIXED	NICKEL-PLATED STEEL NICKEL-PLATED ZAMAK		080.203.126	080.203.222	080.203.314	080.203.410
		KNOCK-IN	NICKEL-PLATED STEEL NICKEL-PLATED ZAMAK		080.303.123	080.303.226	080.303.311	080.303.414
		SCREW-FIXED (WITH CENTERER)	NICKEL-PLATED STEEL		080.503.124	080.503.220		
		KNOCK-IN (WITH CENTERER)	NICKEL-PLATED STEEL		080.803.122	080.803.225		
		PRE-MOUNTED EUROSCREW	NICKEL-PLATED STEEL NICKEL-PLATED ZAMAK		080.603.121	080.603.224	080.603.316	080.603.412
	EURO-SCREW H = 11 - REF.: 951.211.063 H = 13 - REF.: 951.213.060 (STANDARD)				3 ADJUSTMENTS			

## 4 TECHNICAL DATA

### "Mesuco 8": OPENING 95°

#### Full overlay

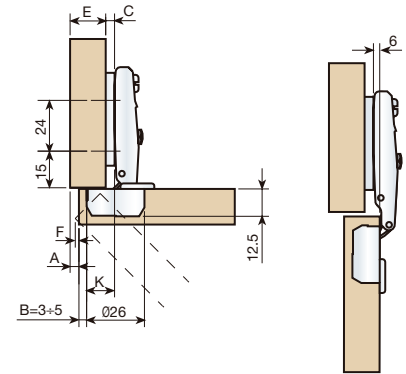


CALCULATION OF THE HEIGHT OF THE PLATE

K = 13  
B = 3  
A = 4  
E = 16  
C ?

$C = K + A + B - E$   
 $C = 13 + 4 + 3 - 16$   
C = 4mm

K = CONSTANT = 13mm



#### Half overlay

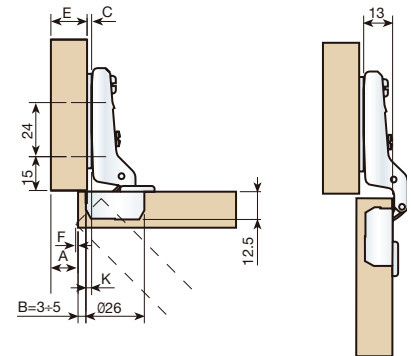


CALCULATION OF THE HEIGHT OF THE PLATE

K = 3  
B = 3  
A = 12  
E = 16  
C ?

$C = K + A + B - E$   
 $C = 3 + 12 + 3 - 16$   
C = 2mm

K = CONSTANT = 3mm



#### Full inset

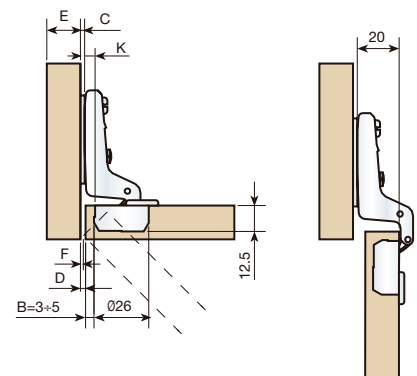


CALCULATION OF THE HEIGHT OF THE PLATE

K = -4  
B = 5  
D = 1  
C ?

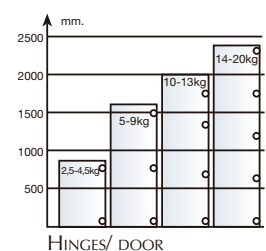
$C = D + B + K$   
 $C = 1 + 5 - 4$   
C = 2mm

K = CONSTANT = -4mm



#### LATERAL DOOR DISPLACEMENT (F).

MM	DOOR THICKNESS									
	B	16	17	18	19	20	21	22	23	24
3		0,8	1,1	1,6	2,3	3,2	4	4,8	5,6	6,5
4		0,75	1,1	1,4	2	2,8	3,5	4,3	5,1	5,8
5		0,7	1	1,3	1,8	2,5	3,2	4	5	5,4

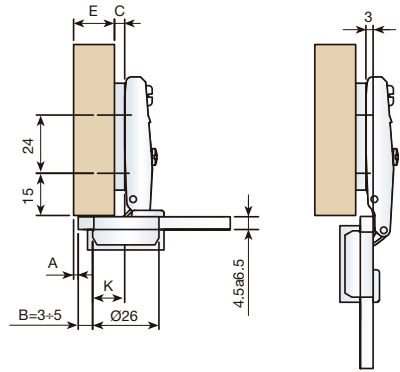


■ "MESUCO 8": OPENING 95° GLASS DOOR HINGE

*Full overlay*



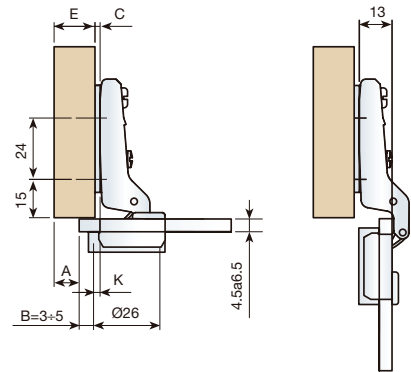
CALCULATION OF THE HEIGHT OF THE PLATE	
K	= 13
B	= 4
A	= 1
E	= 16
C	?
C = K+A+B-E	
C = 13+1+4-16	
C = 2MM	
K = CONSTANT = 13MM	



*Half overlay*



CALCULATION OF THE HEIGHT OF THE PLATE	
K	= 3
B	= 5
A	= 10
E	= 16
C	?
C = K+A+B-E	
C = 3+10+5-16	
C = 2MM	
K = CONSTANT = 3MM	



*Full inset*



CALCULATION OF THE HEIGHT OF THE PLATE	
K	= -4
B	= 5
D	= 1
C	?
C = D+B+K	
C = 1+5+4	
C = 2MM	
K = CONSTANT = -4MM	

