







Special hinges

Special hinges

	<i>pp.</i>
1 CORNER HINGE	136
<p>■ CORNER HINGE</p> <p>3 ADJUSTMENTS, DIAGONAL, TRANSVERSE (-1/+3 MM.) AND LONGITUDINAL (-1.5/+3) VERTICAL ADJUSTMENT ON MOUNTING WING PLATE. DOOR THICKNESS 16 ÷ 22 MM. DISTANCE TO THE EDGE (CUP) 3 ÷ 5 MM.</p>	 136
<p>■ "MESUCO" CORNER HINGE</p> <p>CORNER HINGE WITH THREE ADJUSTMENTS, FOR DOORS WITH A THICKNESS OF 14 TO 24MM. FOR THICKER DOORS, THE MOUNTING PLATE WILL BE PLACED CLOSER TO THE END (ACCORDING TO THICKNESS). IT CAN BE MOUNTED ON ANY MESUCO 14 RAPID, OR MESUCO 14 MOUNTING PLATE, DEPENDING ON THE HINGE. THIS HINGE CAN BE USED WITH A 172° HINGE.</p>	 137
<hr/>	
2 CONCEALED HINGES	138
<p>■ CYLINDRICAL</p> <p>FULL METAL WITH PLASTIC HOUSING. SPECIALLY DESIGNED FOR FOLDING TABLES. CAN BE USED IN DOORS, WINDOWS, ETC.</p> <p>SOLID BRASS, 180° OPENING ANGLE, UNHANCED HINGES. SPECIALLY DESIGNED FOR FOLDING TABLES. CAN BE USED IN DOORS, WINDOWS, ETC.</p>	 138
<p>■ OVAL</p> <p>EIGHT CONNECTING RODS PER SET, OBTAINING A HEAVY DUTY FITTING.</p>	 140

3 HINGES FOR DESKS		<i>pp.</i> 141
■ PLASTIC		141

SPECIALLY DESIGNED TO BE USED WITH THIN CHIPBOARD. THE DECORATIVE FLANGE COVERS MOST OF THE CHIPBOARD BREAKOUTS. THERE ARE THREE AVAILABLE ADAPTORS FOR DIFFERENT CONFIGURATIONS.

■ ZAMAK HINGE FOR TOP FLAP DOORS		142
--	---	-----

THIS HINGE HAS THREE ADJUSTMENTS AND CAN BE DISMANTLED. BOTH CUPS TO BE MOUNTED INTO 35 MM. DIAMETER DRILL-HOLES. THE DECORATIVE FLANGE COVERS MOST OF THE CHIPBOARD BREAKOUTS.

4 HINGES FOR FOLDING TABLES		143
■ CHAMPI		143

5 SINGLE SHAFT HINGES		144
■ FOR WOODEN DOORS		144
■ FOR GLASS DOORS		145

THIS TYPE OF HINGE COMES WITH A DECORATIVE ALUMINIUM COVER, WHICH IS PROTECTED BY ADHESIVE PAPER, TO KEEP IT IN PERFECT CONDITION. THE GLASS IS HELD TIGHT BY SCREWS, AND THE GLASS IS SUPPORTED BETWEEN PLASTIC AND ALUMINIUM.

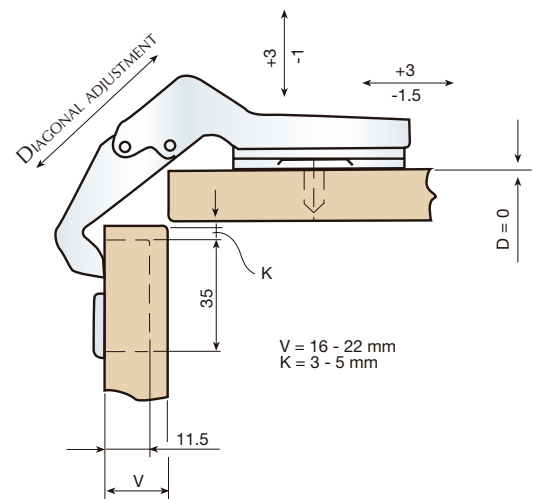
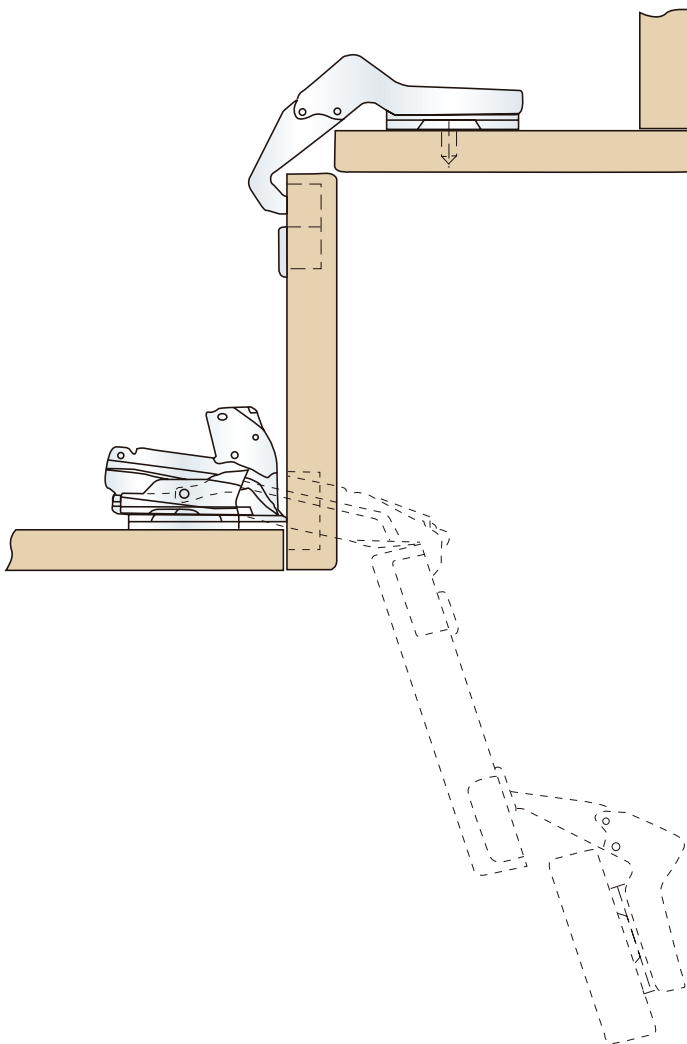
1 CORNER HINGE

CORNER HINGE

3 ADJUSTMENTS, DIAGONAL, TRANSVERSE (-1/+3 MM.) AND LONGITUDINAL (-1.5/+3 MM.). VERTICAL ADJUSTMENT ON MOUNTING WING PLATE. DOOR THICKNESS 16 ÷ 22 MM. DISTANCE TO THE EDGE (CUP) 3 ÷ 5 MM.

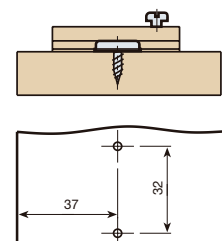
SLIDE-ON, SCREW MOUNTING (NICKEL PLATED)

NICKEL-PLATED	036.140.171	125
---------------	-------------	-----



WING MOUNTING PLATE (NICKEL PLATED)

HEIGHT	ZINC-COATED	
0 MM	082.273.026	500
3 MM	082.273.122	



■ "MESUCO" CORNER HINGE

CORNER HINGE WITH THREE ADJUSTMENTS, FOR DOORS WITH A THICKNESS OF 14 TO 24MM. FOR THICKER DOORS, THE MOUNTING PLATE WILL BE PLACED CLOSER TO THE END (ACCORDING TO THICKNESS). IT CAN BE MOUNTED ON ANY MESUCO 14 RAPID, OR MESUCO 14 MOUNTING PLATE, DEPENDING ON THE HINGE. THIS HINGE CAN BE USED WITH A 172° HINGE.

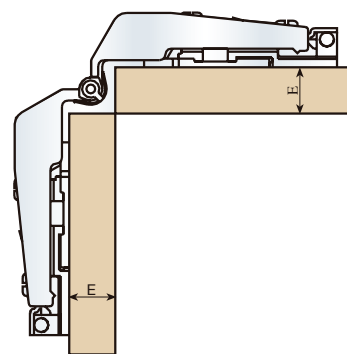


MESUCO 14 RAPID.

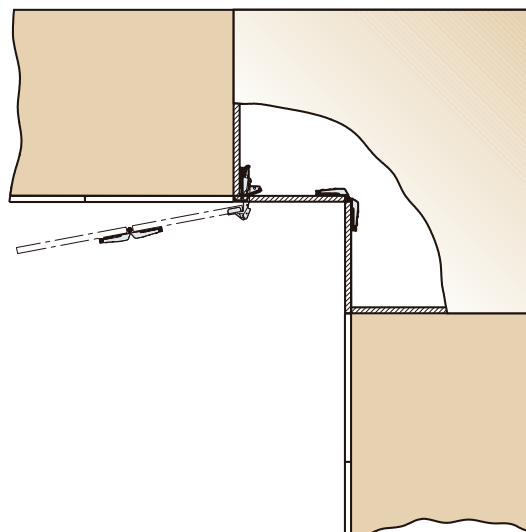
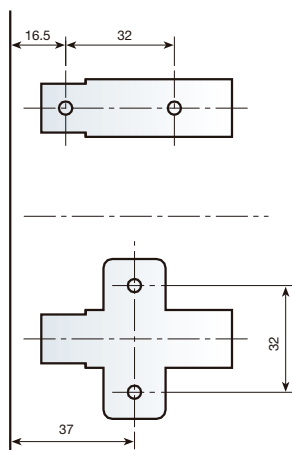
		
NICKEL-PLATED	090.100.172	125

MESUCO 14.

		
NICKEL-PLATED	090.100.161	125



HINGE	E (MM)	14	16	18	20	22	24
090.100.172	HEIGHT	4	2	2	2	2	-
090.100.161	HEIGHT	4	2	0	0	0	0




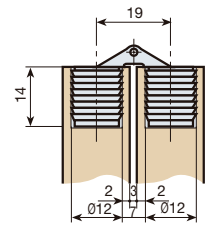
2 CONCEALED HINGES

PLASTIC CYLINDRICAL HINGES


FULL METAL WITH PLASTIC HOUSING.
SPECIALLY DESIGNED FOR FOLDING TABLES. CAN BE USED IN DOORS,
WINDOWS, ETC.

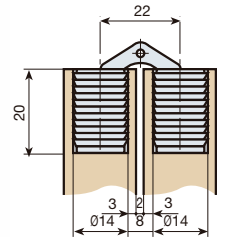
Ø12 MM. CONCEALED HINGE, KNOCK-IN MOUNTING.

		
OAK	305.112.194	500



Ø14 MM. CONCEALED HINGE, KNOCK-IN MOUNTING.

		
OAK	300.814.194	500



EASY MOUNTING. PLACE EACH CYLINDER IN FRONT
OF THE HOLES MADE FOLLOWING THE DRAWING.
KNOCK-IN WITH A HAMMER.



BRASS CYLINDRICAL HINGES

SOLID BRASS, 180° OPENING ANGLE, UNHANDED HINGES. SPECIALLY DESIGNED FOR FOLDING TABLES. CAN BE USED IN DOORS, WINDOWS, ETC.

Ø10 MM. CONCEALED HINGE

BRASS	300.510.103	250
-------	-------------	-----

Ø2,5 MM. FLATHEAD SCREW REQUIRED.

Ø12 MM. CONCEALED HINGE

BRASS	300.512.100	250
-------	-------------	-----

Ø3 MM. FLATHEAD SCREW REQUIRED.

Ø14 MM. CONCEALED HINGE

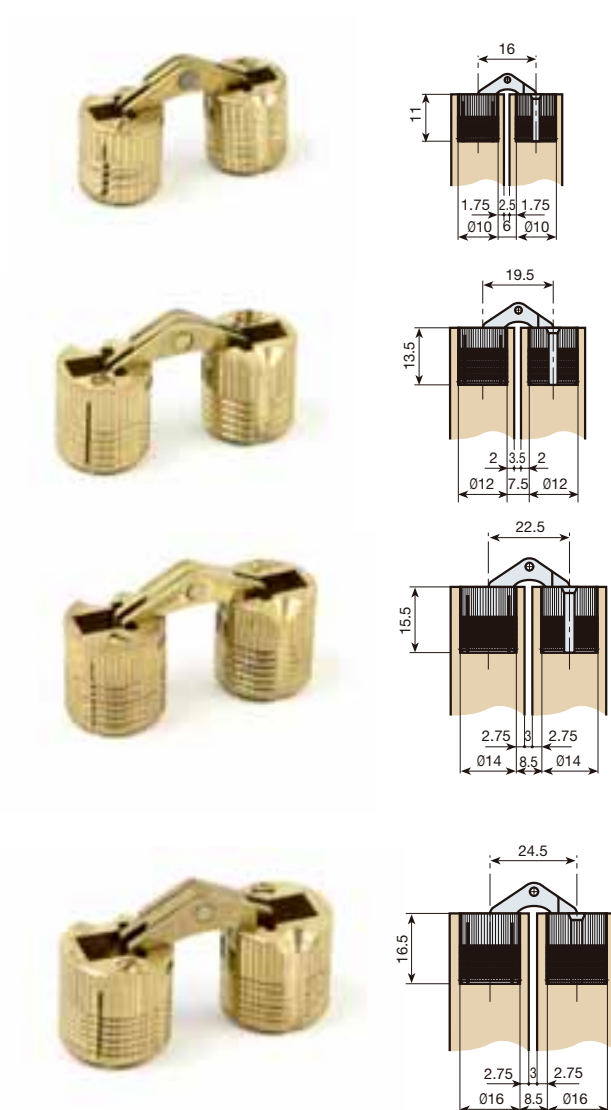
BRASS	300.514.104	250
-------	-------------	-----

Ø3,5 MM. FLATHEAD SCREW REQUIRED.

Ø16 MM CONCEALED HINGE

BRASS	300.516.101	250
-------	-------------	-----

Ø3,5 MM. FLATHEAD SCREW REQUIRED.

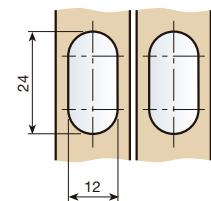
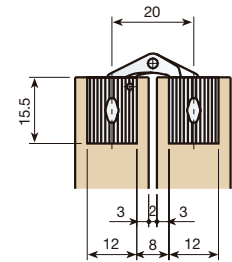


OVAL CONCEALED HINGES

EIGHT CONNECTING RODS PER SET, OBTAINING A HEAVY DUTY FITTING.

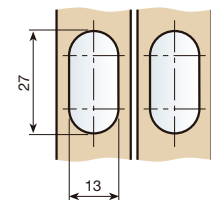
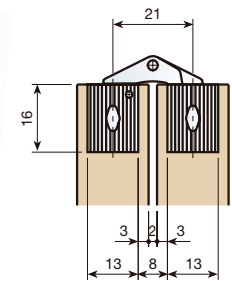
12 MM. CONCEALED HINGE, OVAL HOUSING

		250
SOLID BRASS	300.012.101	
BRASS-PLATED ZAMAK	300.012.112	

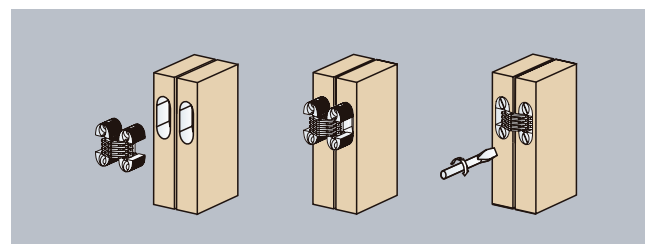


13 MM. CONCEALED HINGE, OVAL HOUSING

		250
BRASS	300.013.103	




DRILL A SLIGHTLY SMALLER HOLE THAN THE DIAMETER OF THE HINGE. KNOCK IT IN SMOOTHLY WITH A HAMMER AND TIGHTEN IT WITH TWO SCREWS.



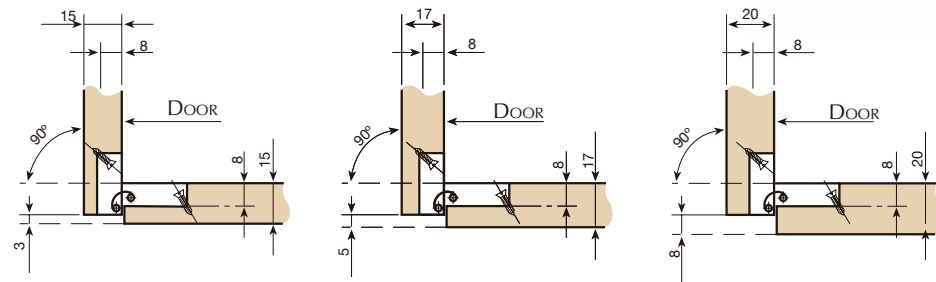
3 HINGES FOR DESKS

PLASTIC


NYLON HINGE 8 x Ø30 MM.

			
BROWN	303.008.016	50	
BLACK	303.008.020		

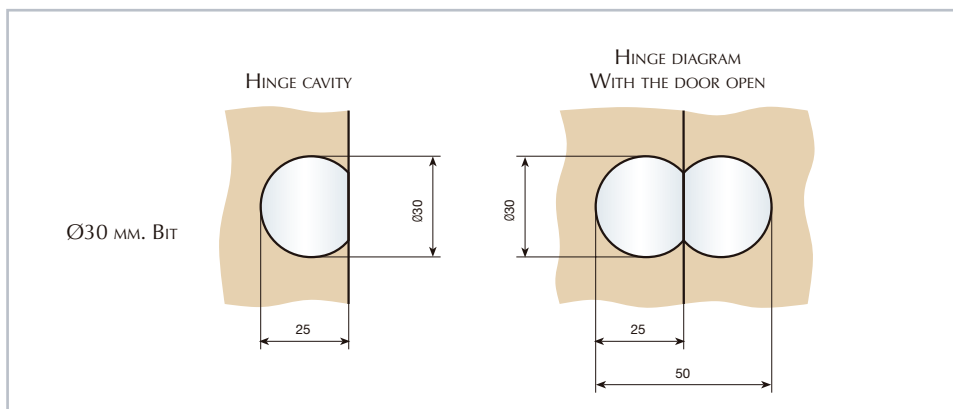
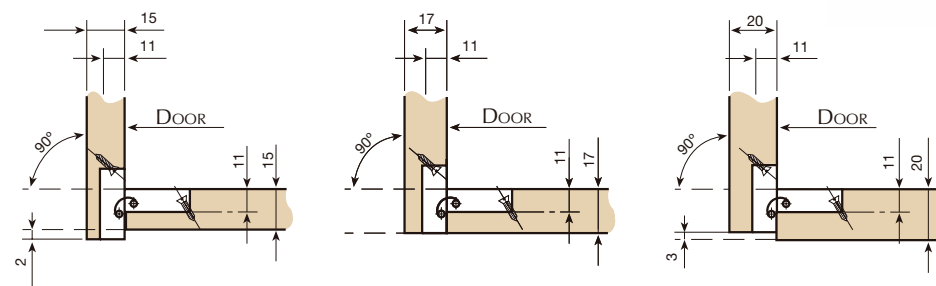
SCREWS SUPPLIED WITH THE PRODUCT.



NYLON HINGE 11 x Ø30 MM.

			
BROWN	303.011.015	50	
BLACK	303.011.026		

SCREWS SUPPLIED WITH THE PRODUCT.

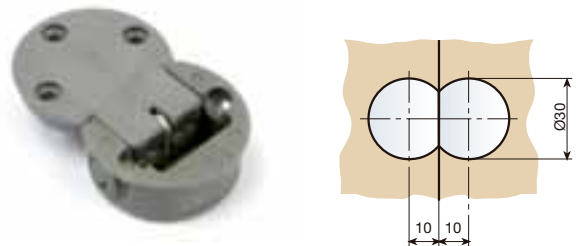
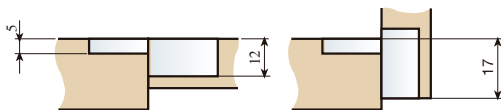


■ PLASTIC FOR TOP FLAP DOORS

SPECIALLY DESIGNED TO BE USED WITH THIN CHIPBOARD. THE DECORATIVE FLANGE COVERS MOST OF THE CHIPBOARD BREAKOUTS. THERE ARE THREE AVAILABLE ADAPTORS FOR DIFFERENT CONFIGURATIONS.

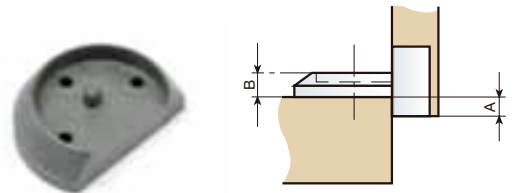
ADAPTABLE HINGE FOR TOP FLAP DOORS

METAL GREY	314.230.092	1000
------------	-------------	------



ADAPTORS FOR DIFFERENT CONFIGURATIONS

	6 mm.	8,5 mm.	10 mm.	
METAL GREY	314.306.090	314.308.094	314.310.091	250



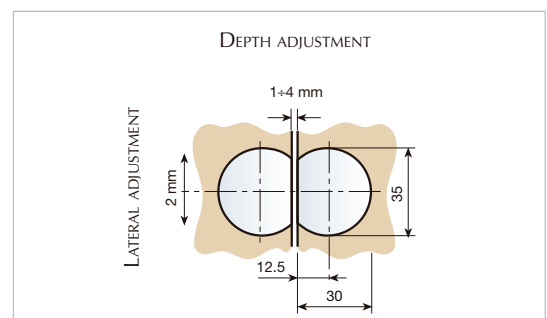
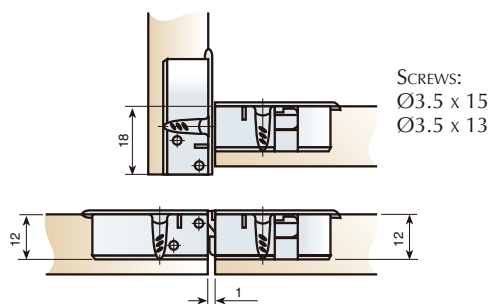
A	B
6	11
8,5	8,5
10	7

■ ZAMAK HINGE FOR TOP FLAP DOORS

THIS HINGE HAS THREE ADJUSTMENTS AND CAN BE DISMANTLED. BOTH CUPS TO BE MOUNTED INTO 35 MM. DIAMETER DRILL-HOLES. THE DECORATIVE FLANGE COVERS MOST OF THE CHIPBOARD BREAKOUTS.

ADJUSTABLE HINGE FOR TOP FLAP DOORS

NICKEL-PLATED	313.012.066	250
---------------	-------------	-----



4 HINGES FOR FOLDING TABLES

"CHAMPI"

METAL HINGE 20-35.

NICKEL-PLATED	300.935.062	250
---------------	-------------	-----

SCREWS SUPPLIED WITH THE PRODUCT.



How to place: THE CAVITY IS MADE IN ONE OPERATION WITH A TWO-DIAMETER BIT. NEXT, INSERT THE HINGE AND SECURE IN PLACE WITH THE SCREWS.

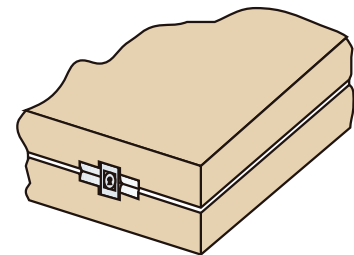
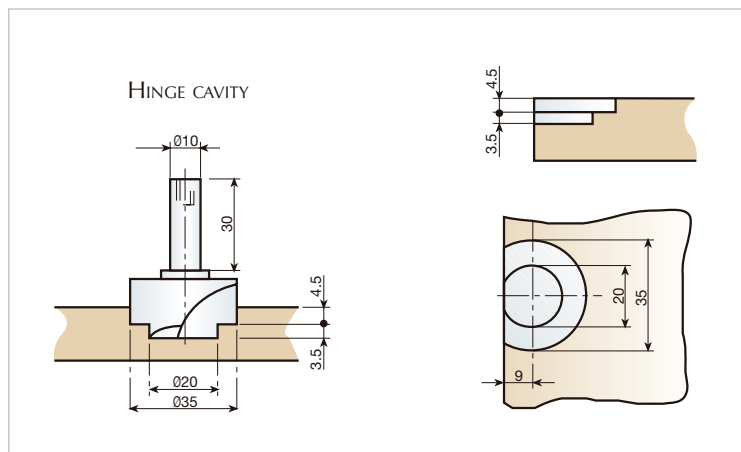


TABLE IN CLOSED POSITION

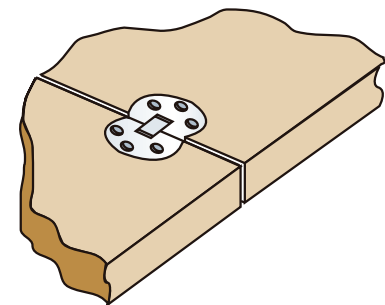


TABLE IN OPEN POSITION

5 SINGLE-SHAFT HINGES

FOR WOODEN DOORS

BUSHING.

STEEL	BRASS-PLATED	919.500.116	2000
			



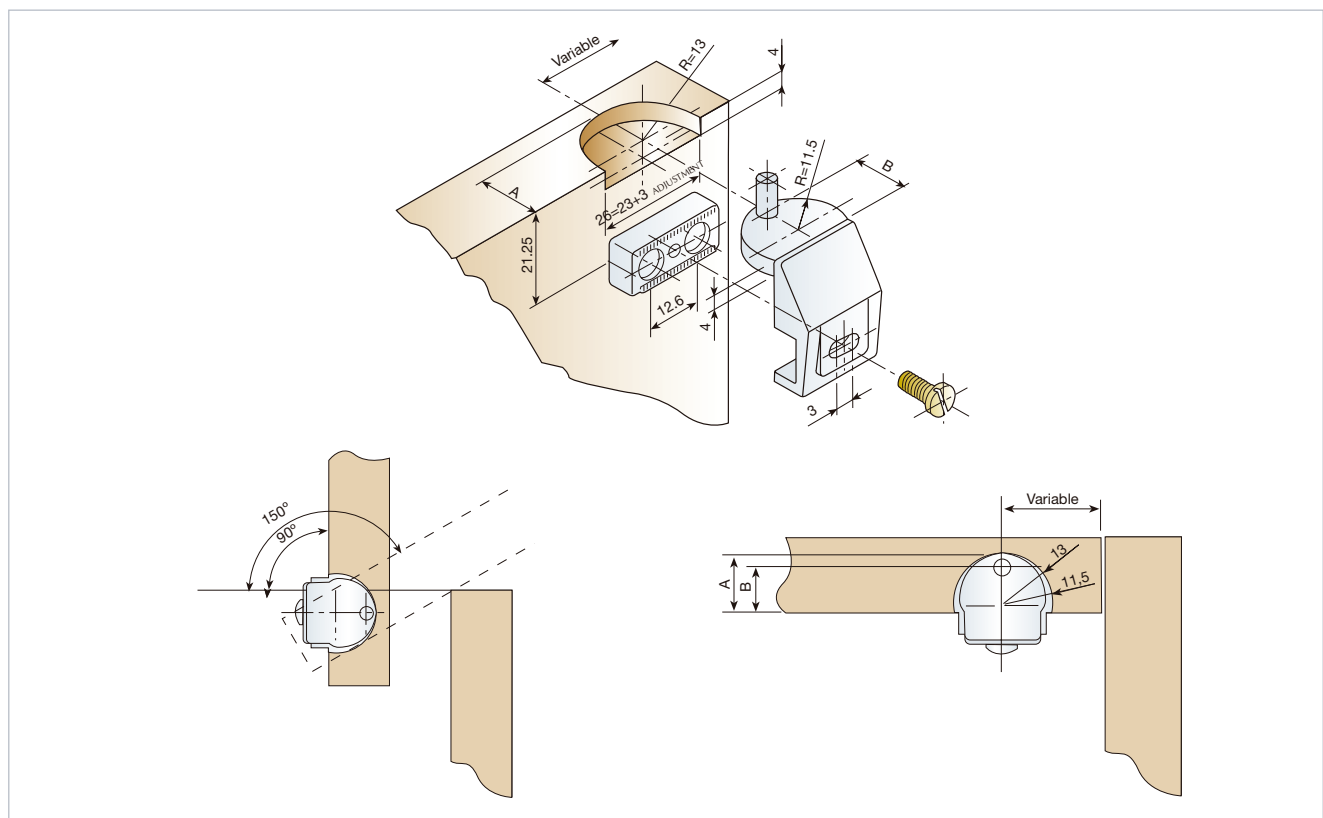
NICKEL-PLATED HINGE.

A	B	DOOR THICKNESS	CODE	
12,2	9,7	12 MM. A 16 MM.	314.006.066	
15,2	12,7	16 MM. A 25 MM.	314.106.063	500
25,2	22,7	26 MM. A 30 MM.	314.116.062	



MOUNTING PLATE.


STEEL	BRASS-PLATED	390.820.065	1000
			



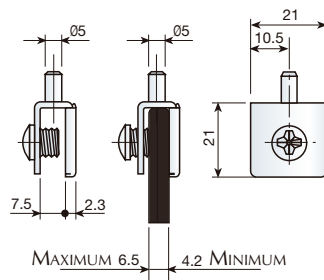
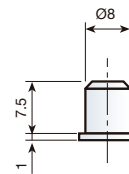
■ FOR GLASS DOORS

THIS TYPE OF HINGE COMES WITH A DECORATIVE ALUMINIUM COVER, WHICH IS PROTECTED BY ADHESIVE PAPER, TO KEEP IT IN PERFECT CONDITION. THE GLASS IS HELD TIGHT BY SCREWS, AND THE GLASS IS SUPPORTED BETWEEN PLASTIC AND ALUMINIUM.

UPPER OR LOWER HINGE.

		
SCRATCHED SILVER	301.521.205	500
SCRATCHED GOLD	301.521.216	
POLISHED SILVER	301.521.220	
POLISHED GOLD	301.521.231	

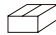
THE BUSHINGS AND STEEL GUIDE ARE SUPPLIED WITH THE PRODUCT.



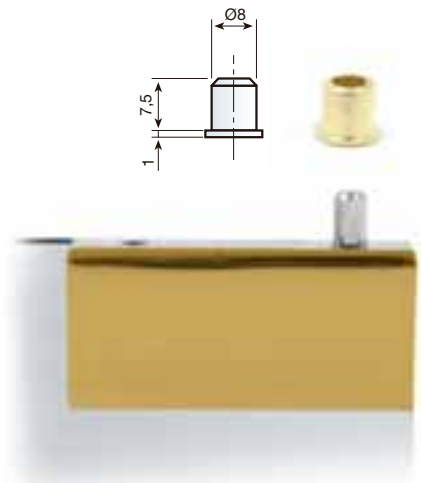
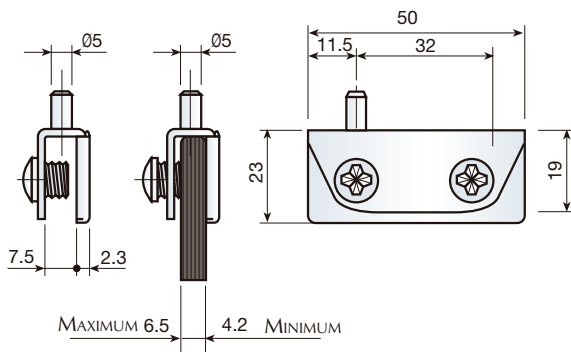
■ **FOR GLASS DOORS: with optional catch**

THIS TYPE OF HINGE COMES WITH A DECORATIVE ALUMINIUM OR PLASTIC COVER, WHICH IS PROTECTED BY ADHESIVE PAPER, TO KEEP IT IN PERFECT CONDITION. THE GLASS IS HELD TIGHT BY SCREWS, AND THE GLASS IS SUPPORTED BETWEEN PLASTIC AND ALUMINIUM.


UPPER HINGE RIGHT-HAND DOOR OR LOWER HINGE LEFT-HAND DOOR.

	
NYLON BLACK	301.850.021
SCRATCHED SILVER	301.550.200
SCRATCHED GOLD	301.550.211 250
POLISHED SILVER	301.550.222
POLISHED GOLD	301.550.233

THE BUSHINGS AND STEEL GUIDE ARE SUPPLIED WITH THE PRODUCT.



LOWER HINGE RIGHT-HAND DOOR OR UPPER HINGE LEFT-HAND DOOR.

	
NYLON BLACK	301.950.025
SCRATCHED SILVER	301.650.204
SCRATCHED GOLD	301.650.215 250
POLISHED SILVER	301.650.226
POLISHED GOLD	301.650.230

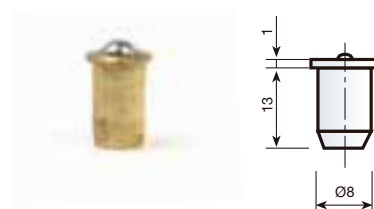
THE BUSHINGS AND STEEL GUIDE ARE SUPPLIED WITH THE PRODUCT.



BRASS CATCH.

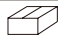
	
	919.000.106 1000

THE BUSHINGS AND STEEL GUIDE ARE SUPPLIED WITH THE PRODUCT.

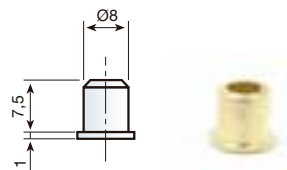
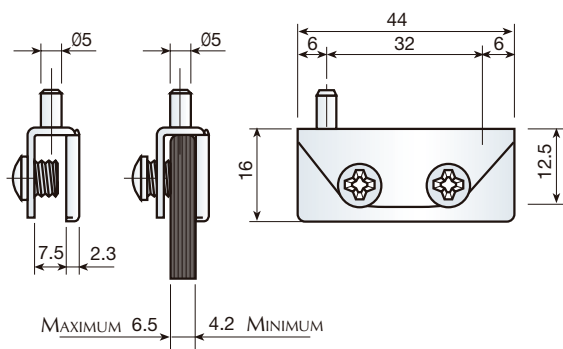


■ **FOR GLASS DOORS: with optional catch**


UPPER HINGE RIGHT-HAND DOOR OR LOWER HINGE LEFT-HAND DOOR.

		
NYLON BLACK	314.842.021	
SCRATCHED SILVER	314.842.205	
SCRATCHED GOLD	314.842.216	250
POLISHED SILVER	314.842.220	
POLISHED GOLD	314.842.231	

THE BUSHINGS AND STEEL GUIDE ARE SUPPLIED WITH THE PRODUCT.




LOWER HINGE RIGHT-HAND DOOR OR UPPER HINGE LEFT-HAND DOOR.

		
NYLON BLACK	314.942.025	
SCRATCHED SILVER	314.942.202	
SCRATCHED GOLD	314.942.213	250
POLISHED SILVER	314.942.224	
POLISHED GOLD	314.942.235	

THE BUSHINGS AND STEEL GUIDE ARE SUPPLIED WITH THE PRODUCT.



BRASS CATCH.

		
	919.000.106	1000

