


Accessories for skirting boards

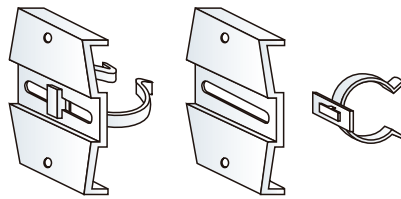
1	PLASTIC PIN AND SUPPORTS		<i>pp.</i> 196
	■ PIN		196
	■ SUPPORTS		196
<hr/>			
2	STEEL PIN AND SUPPORTS		197
	■ PINS		197
	■ SUPPORTS		197
<hr/>			
3	"FLEXY" SKIRTING BOARD HOLDER		198
	■ SKIRTING BOARD HOLDER		198
<hr/>			
4	JOINT AND TERMINAL FOR SKIRTING BOARD		199
	■ JOINT		199
	■ TERMINAL		199

1 PLASTIC PIN AND SUPPORTS

PIN


PLASTIC PIN.

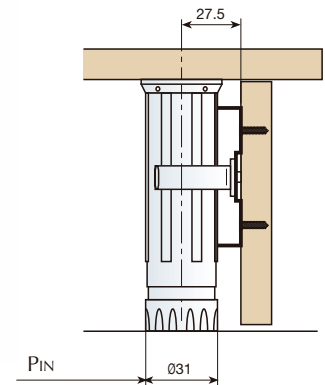
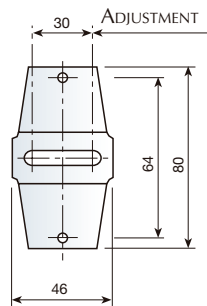
		
FOR Ø31 LEG	413.032.104	500
FOR Ø40 LEG	413.040.106	




SUPPORTS

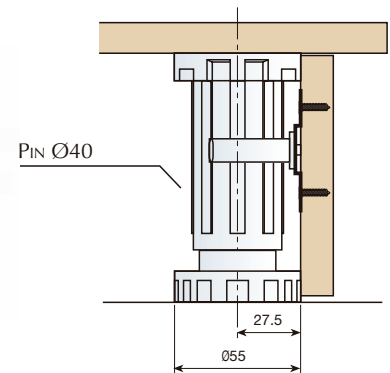
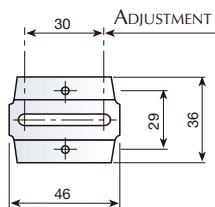
LONG BRACKET.

		
ZINC-PLATED	414.000.031	250



SHORT BRACKET.

		
ZINC-PLATED	414.100.035	1.000



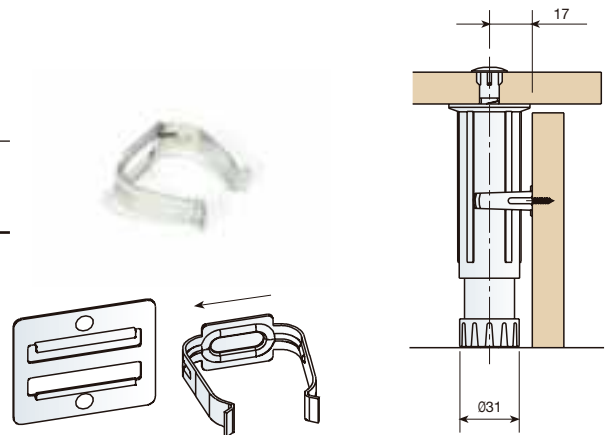
2 STEEL PIN AND SUPPORTS

PINS

PIN FOR Ø31 LEG.

ZINC-PLATED	413.315.033	1000
-------------	-------------	------

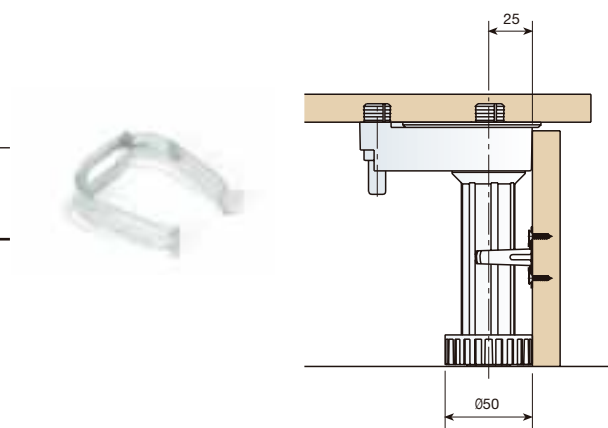
FOR INTEX Ø31 LEGS.



PIN FOR Ø50 LEG.

ZINC-PLATED	413.325.032	1000
-------------	-------------	------

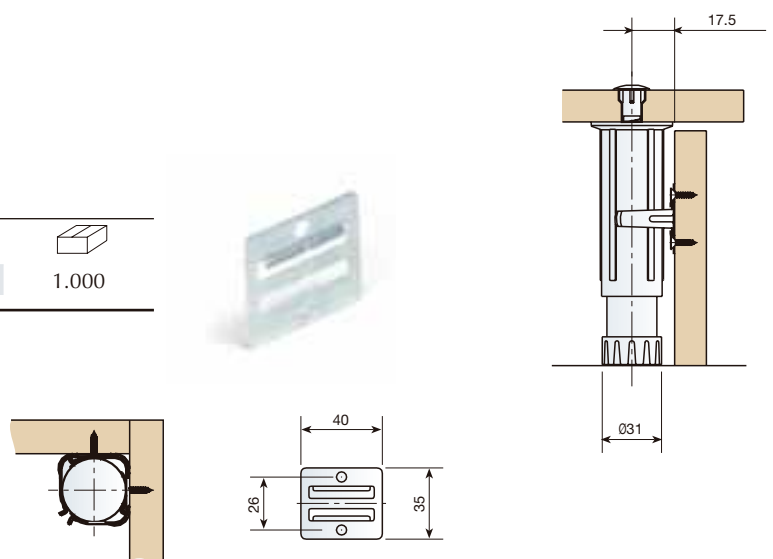
FOR MAMUT-5 Ø50 LEGS.



SUPPORT

PLATE.

ZINC-PLATED	414.700.031	1.000
-------------	-------------	-------




3 "FLEXY" SKIRTING BOARD HOLDER

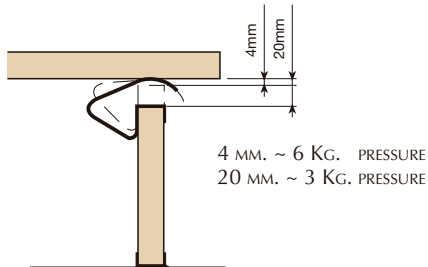
THIS QUICK MOUNTING HOLDER ACTS PUSHING THE SKIRTING BOARD DOWNWARDS. A HEIGHT TOLERANCE OF 16 MM IS ALLOWED.

■ SKIRTING BOARD HOLDER


"FLEXY-1" SKIRTING BOARD HOLDER FOR 16 MM.

WIDTH		15	
WHITE	RAL 9001	414.516.804	500

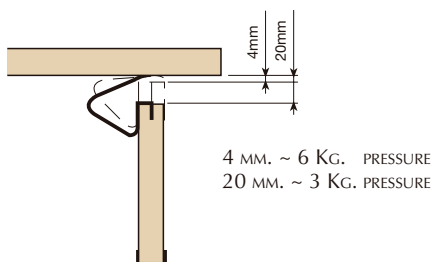
IT CAN BE PLACED BY MANUAL PRESSURE.



"FLEXY-4" KNOCK-IN MOUNTING SKIRTING BOARD HOLDER.

WIDTH		15	
ZINC-PLATED		414.615.036	500

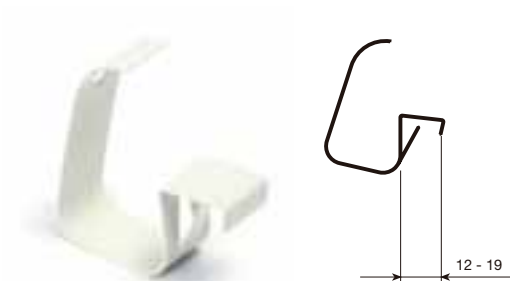
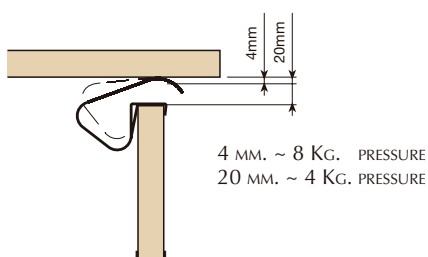
TO BE NAILED WITH HAMMER.



SKIRTING BOARD HOLDER FOR 12 ÷ 19 MM. "FLEXY-5".

WIDTH		20	
WHITE	RAL 9001	415.500.805	500

IT CAN BE PLACED BY MANUAL PRESSURE.

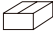


4 JOINT AND TERMINAL FOR SKIRTING BOARDS

JOINT FOR THE LOWER PART OF THE SKIRTING BOARD. IT HAS A FLEXIBLE TAB TO KEEP OUT WATER AND DUST. FRONT AND SIDE SKIRTING BOARD TERMINAL.

JOINT

SKIRTING BOARD JOINT.

WIDTH		16 MM	19 MM	
WHITE	RAL 9003	415.200.004	-	100
BROWN	RAL 8014	415.200.015	-	
OAK	RAL 1002	415.200.192	-	
TRANSPARENT		415.200.693	415.219.696	

EACH BOX CONTAINS 100 STRIPS OF 3.60 METRES.



TERMINAL

SKIRTING BOARD TERMINAL.

WIDTH		16 MM	
WHITE	RAL 9003	415.300.001	100
BROWN	RAL 8014	415.300.012	
OAK	RAL 1002	415.300.196	

EACH BOX CONTAINS 100 STRIPS OF 2 METRES.

