






Kitchen accessories

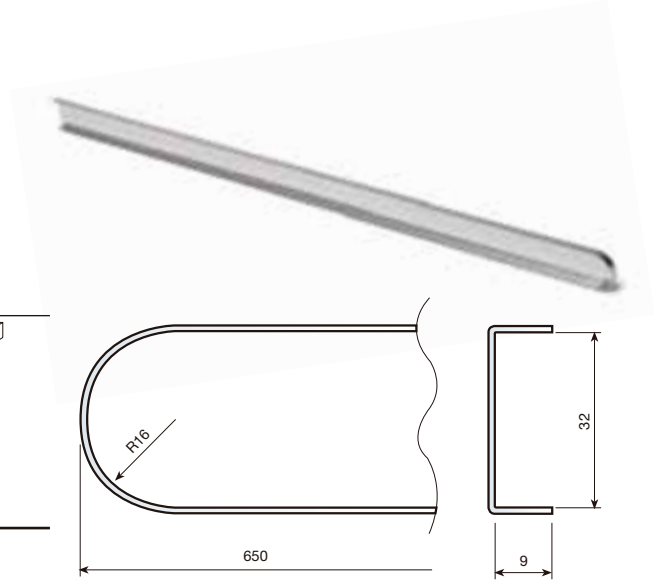
1	WORK SURFACE ACCESSORIES		<i>pp.</i> 230
	■ ALUMINIUM END-STRIPS		230
	■ ALUMINIUM JOINING STRIPS		231
	■ ASSEMBLIES FOR WORK SURFACES		232
<hr/>			
2	PULL-OUT ELEMENTS FOR DRAWERS		234
	■ MECHANISM FOR PULL-OUT TABLE		234
	■ MECHANISM FOR PULL-OUT IRONING BOARD		235
<hr/>			
3	KITCHEN ACCESSORIES		236
	■ CEILING-SHELF SUPPORT		236
	■ SINK BASE PROTECTOR		236
	■ SIDE EXTRACTOR HOOD PROTECTOR		237
	■ EXTRACTOR HOOD ADJUSTMENT PIVOT		237
<hr/>			
4	VENTILATION GRILLE		238
	■ VENTILATION GRILLE 65 MM.		238
	■ VENTILATION GRILLE 130 MM.		238

1 WORK SURFACE ACCESSORIES


WORK SURFACE ACCESSORIES

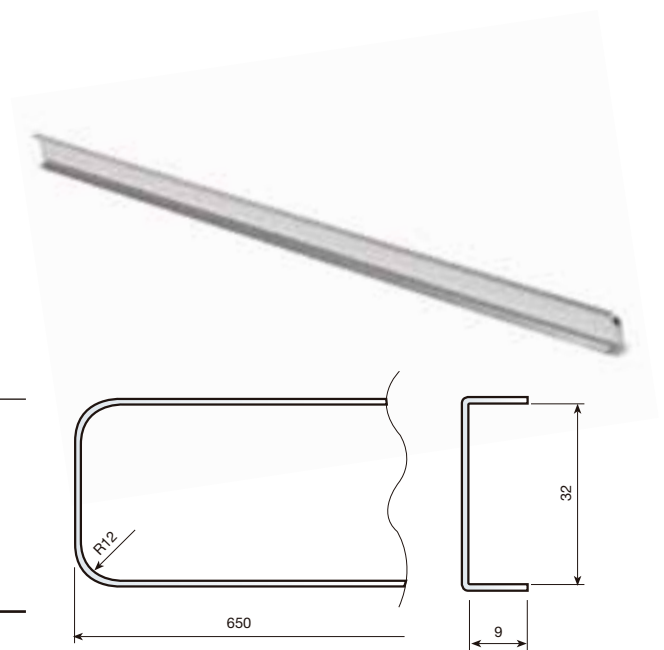
END-STRIP 30 - 1 RADIUS.

			
LACQUERED WHITE	134.630.801		
ALUMINIUM GLOSS	134.630.506		
BRASS	134.630.786	50	
GOLD	134.630.775		
BLACK	134.630.893		



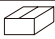
END-STRIP 30 - 2 RADII.

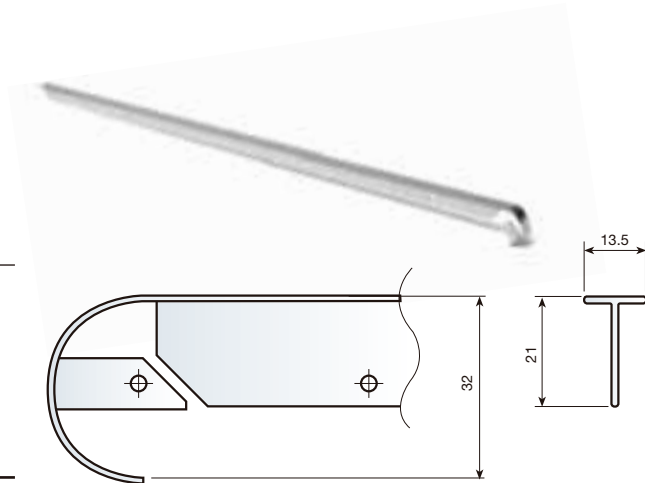
			
LACQUERED WHITE	134.730.805		
ALUMINIUM GLOSS	134.730.503		
BRASS	134.730.783	50	
GOLD	134.730.772		
BLACK	134.730.890		




ALUMINIUM JOINING STRIPS

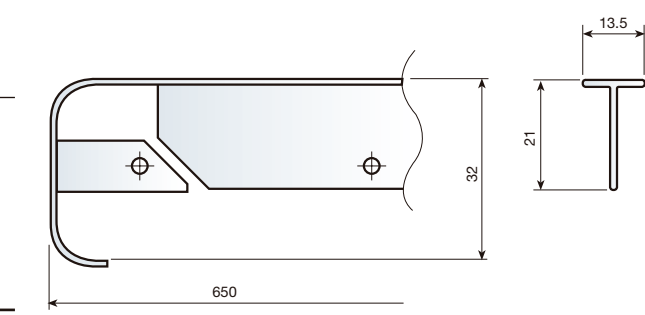
JOINING STRIP 30 STRAIGHT "T" - 1 RADIUS.

		
LACQUERED WHITE	134.030.805	
ALUMINIUM GLOSS	134.030.503	
BRASS	134.030.783	50
GOLD	134.030.772	
BLACK	134.030.890	




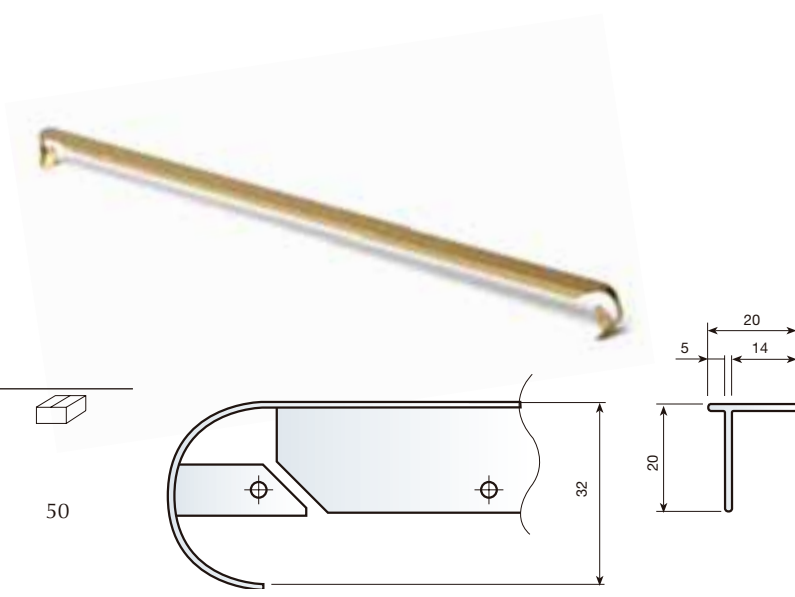
JOINING STRIP 30 STRAIGHT.

		
LACQUERED WHITE	134.130.802	
ALUMINIUM GLOSS	134.130.500	
BRASS	134.130.780	50
GOLD	134.130.776	
BLACK	134.130.894	

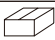


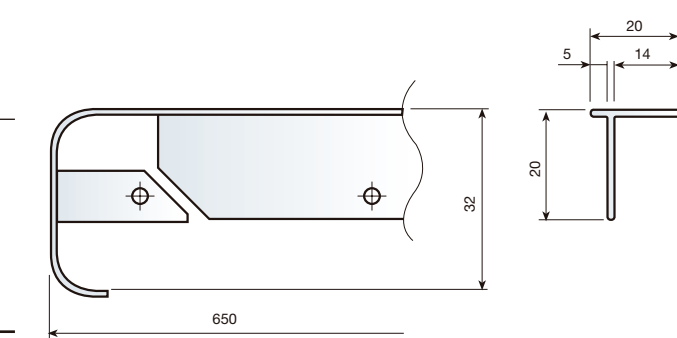
JOINING STRIP 30 SHIFTED "T" - 1 RADIUS.

		
LACQUERED WHITE	134.330.803	
ALUMINIUM GLOSS	134.330.501	
BRASS	134.330.781	50
GOLD	134.330.770	
BLACK	134.330.895	



JOINING STRIP 30 SHIFTED "T" - 2 RADII.

		
LACQUERED WHITE	134.430.800	
ALUMINIUM GLOSS	134.430.505	
BRASS	134.430.785	50
GOLD	134.430.774	
BLACK	134.430.892	



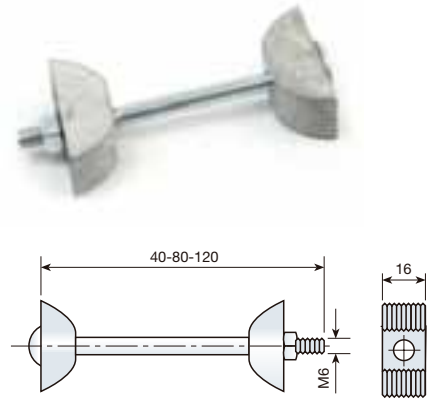
WORK SURFACE ASSEMBLIES

THIS CONCEALED ASSEMBLY WILL ENABLE YOU TO QUICKLY AND SAFELY JOIN WORK SURFACES, BOARDS AND MITRE JOINTS.

ASSEMBLY TO JOIN WORK SURFACES.

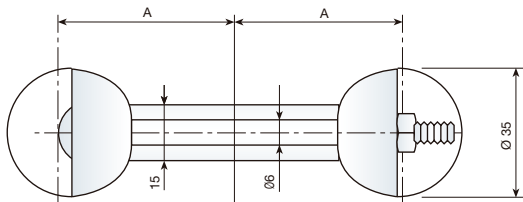
L (MM.)		
40	521.604.031	
80	521.608.032	250
120	521.612.033	

EVERY ASSEMBLY HAS 2 BODIES, 1 SCREW AND 1 NUT.

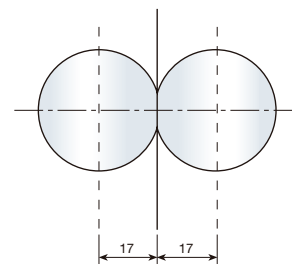
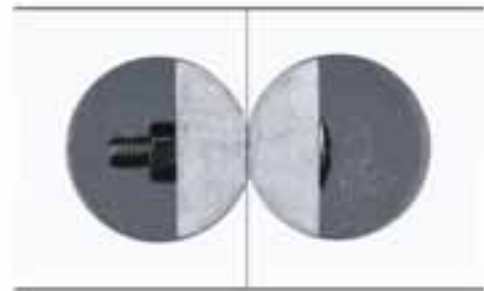
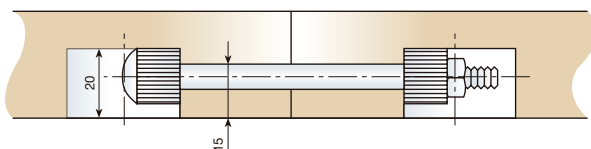


Assembly

DRILL A HOLE \varnothing 35 MM. BY 20 MM. DEEP AT DISTANCE A FROM EACH END TO BE JOINED. IN LINE WITH THE HOLES' AXIS, JOIN IT ALL WITH A CHANNEL 15 MM. WIDE BY 15 MM. DEEP. WHEN THE NUT IS TIGHTENED, THE HALF-MOON-SHAPED JOINING PARTS WILL BE TIGHTENED AGAINST THE WALLS OF THE DRILL HOLES.



LENGTH OF SCREW	DISTANCE FROM DRILL HOLE "A"
40 MM.	FROM 17 TO 20 MM.
80 MM.	FROM 33 TO 40 MM.
120 MM.	FROM 53 TO 60 MM.



THE CHANNEL IS NOT REQUIRED WITH THE CENTRE AT 17MM.

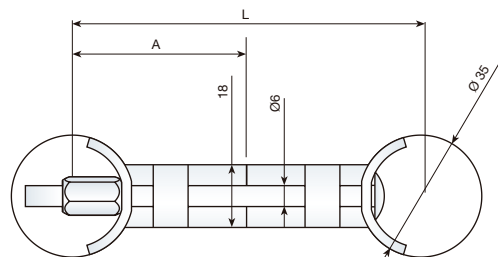
ASSEMBLY TO JOIN WORK SURFACES.

L (MM.)	ZINC-COATED	
65	519.306.034	
100	519.310.035	200
150	519.315.031	

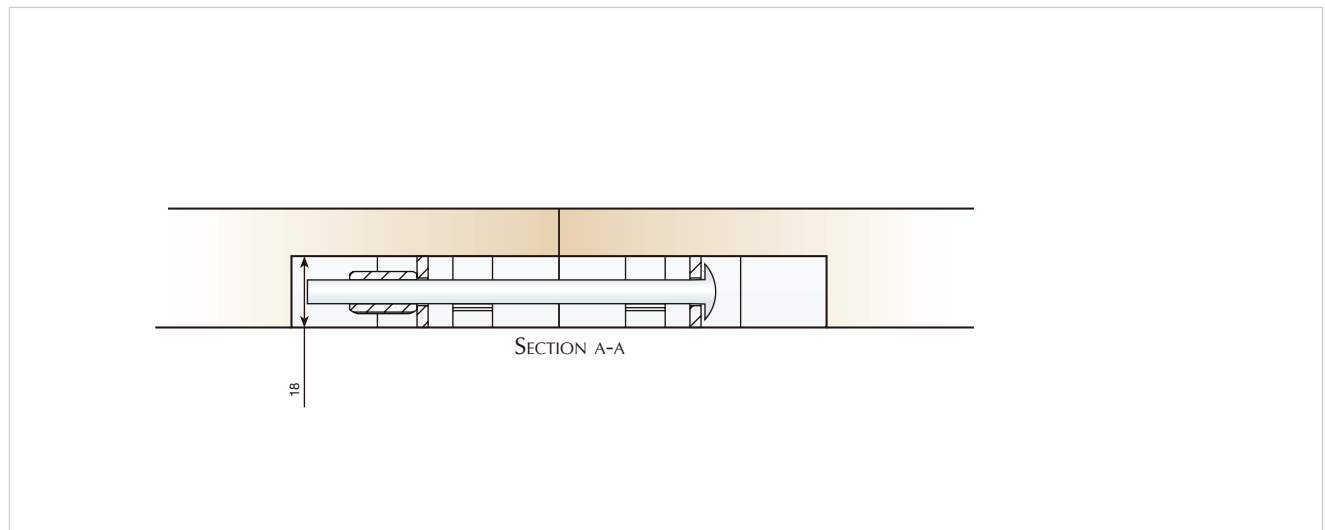
EVERY REFERENCE IS SUPPLIED PRE-ASSEMBLED.

MEASUREMENTS.

L (MM.)	A (MIN.)	A (MAX.)
65	32	42
100	50	60
150	75	85



Assembly



2 PULL-OUT ELEMENTS FOR DRAWERS

MECHANISM FOR PULL-OUT TABLE

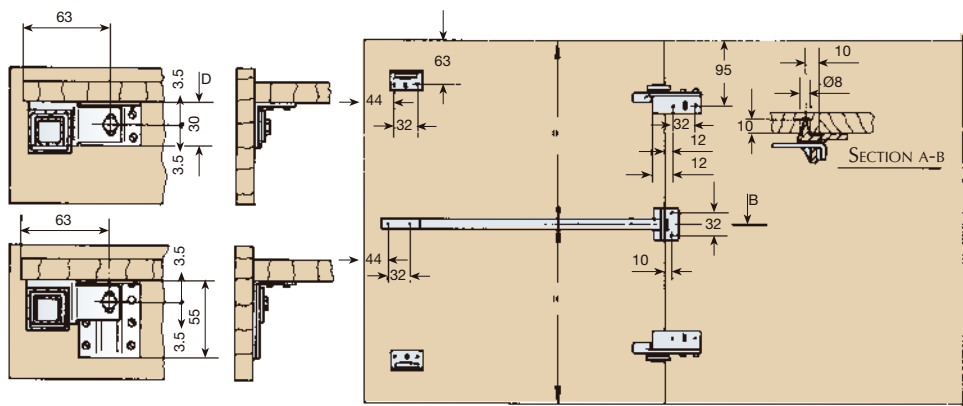
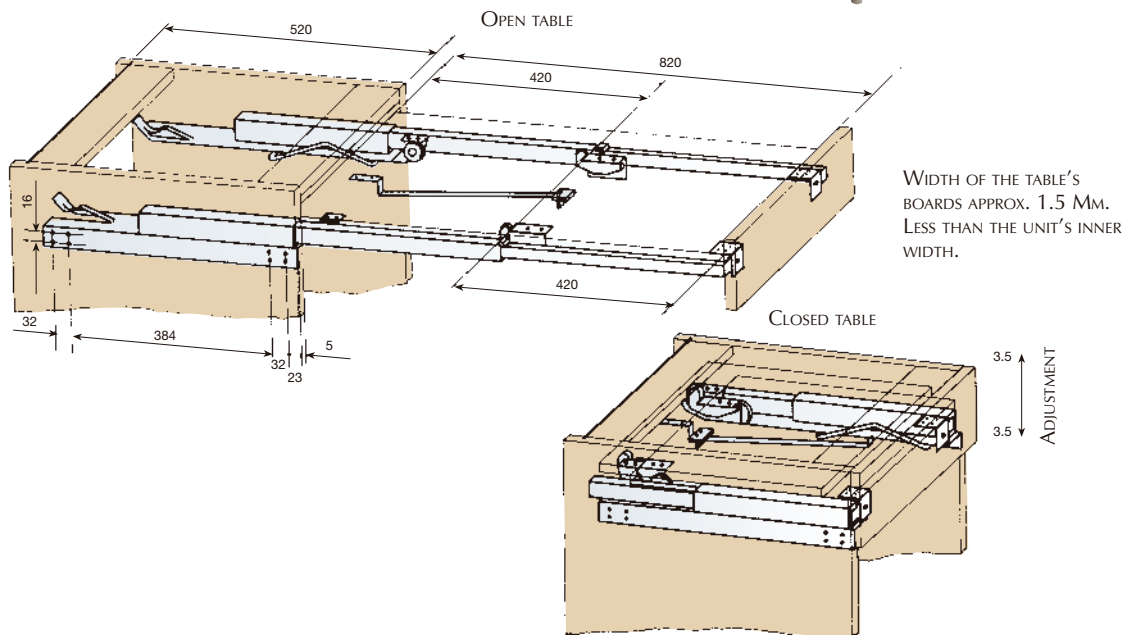
THE PULL-OUT TABLE REMOVES THE NEED FOR A SUPPORTING LEG AND FITS INTO THE CABINET LIKE A NORMAL DRAWER, BECOMING COMPLETELY HIDDEN ONCE INSERTED. TWO BOARDS ARE USED. WHEN THE TABLE IS INSERTED, THE INNER BOARD IS RAISED, ALLOWING THE OUTER BOARD TO BE INSERTED. THE MAXIMUM PERMITTED THICKNESS IS 18 MM.



MECHANISMS FOR PULL-OUT TABLE.

ZINC-COATED	476.552.031	1
-------------	-------------	---


EVERY SET HAS: 2 HALVES OF THE FITTING, 1 CENTRED STOP, 1 DRAW BAR, 2 PANEL LIFTS, 2 ROLLER BRACKETS, 2 ADJUSTMENT BRACKETS, SMALL PARTS AND ASSEMBLY SHEET.



MECHANISM FOR PULL-OUT IRONING BOARD

THE IRONING BOARD MAY BE ASSEMBLED IN LOWER CUPBOARDS IN THE PLACE OF A NORMAL DRAWER WITH A WIDTH OF 400 TO 530 MM. AND A DEPTH OF MIN. 510 MM. TO USE, THE FITTING IS PULLED OUT ON A TELESCOPIC GUIDE IN FRONT OF THE CUPBOARD, WHICH AUTOMATICALLY RAISES THE IRONING BOARD TO WORKING HEIGHT. IT IS MADE ENTIRELY OF METAL AND IS PERFECTLY STABLE.

IRONING BOARD AND FITTINGS.

		
WHITE	476.100.004	1

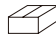
EVERY SET HAS 2 BODY RAILS, 2 PULL-OUT RAILS WITH PANEL FIXING BRACKETS, 1 FOLDING FITTING WITH THE DROP-DOWN IRONING BOARD, AS WELL AS 1 DRAW CABLE RAIL AND AN ASSEMBLY SHEET.

REPLACEMENT COVER.

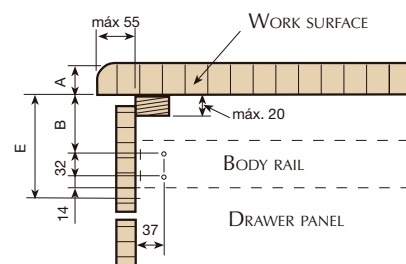
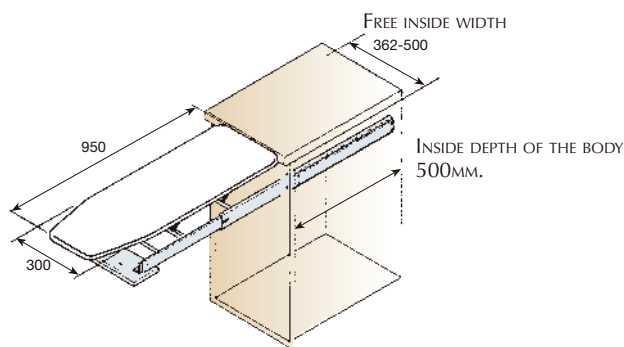
		
GREY	476.200.082	1

THIS COVER IS HEAT-RESISTANT AND COMES COMPLETE WITH TIE-CORD.

REPLACEMENT SLEEVE BOARD COVER.

		
GREY	476.300.086	1

THIS COVER IS HEAT-RESISTANT AND COMES COMPLETE WITH TIE-CORD.



WHEN THE IRONING SURFACE HAS TO BE AT THE SAME HEIGHT AS THE UPPER PART OF THE WORK SURFACE, THE FOLLOWING MEASUREMENTS MUST BE CONSIDERED:

THICKNESS OF THE WORK SURFACE A (MM.)	20	30	40
DISTANCE FROM THE DRILL HOLE B (MM.)	84	74	64
HEIGHT OF THE ASSEMBLY E (MM.) TO THE LOWER EDGE OF THE WORK SURFACE	136	126	116

3 KITCHEN ACCESSORIES

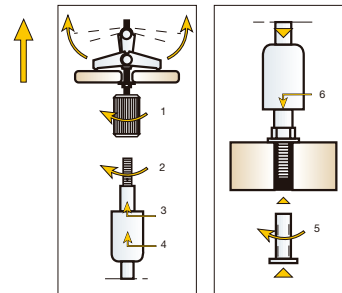


CEILING-SHELF SUPPORT

CEILING-SHELF SUPPORT.

WHITE	440.600.801	5
BLACK	440.600.823	
CHROME-PLATED	440.600.123	
BRASS-PLATED	440.600.112	

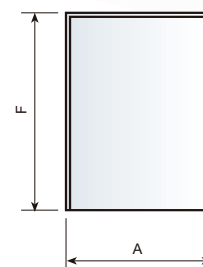
SUPPLIED WITH 1-METRE TUBE.



SINK BASE PROTECTOR

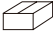
SINK BASE PROTECTOR.

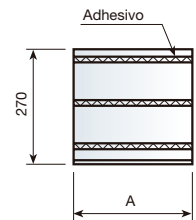
MODEL	A	F	EMBOSSED ALUMINIUM	5
-		498	465.049.502	
400	365	518	465.051.506	
-		558	465.055.500	
-		498	465.149.506	
450	415	518	465.151.503	
-		558	465.155.504	
-		498	465.249.503	
500	465	518	465.251.500	
-		558	465.255.501	
-		498	465.349.500	
600	565	518	465.351.504	
-		558	465.355.505	
-		498	465.449.504	
700	665	518	465.451.501	
-		558	465.455.502	
-		498	465.549.501	
800	765	518	465.551.505	
-		558	465.555.506	
-		498	465.649.505	
900	865	518	465.651.502	
-		558	465.655.503	



SIDE EXTRACTOR HOOD PROTECTOR

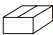
SIDE EXTRACTOR HOOD PROTECTOR.

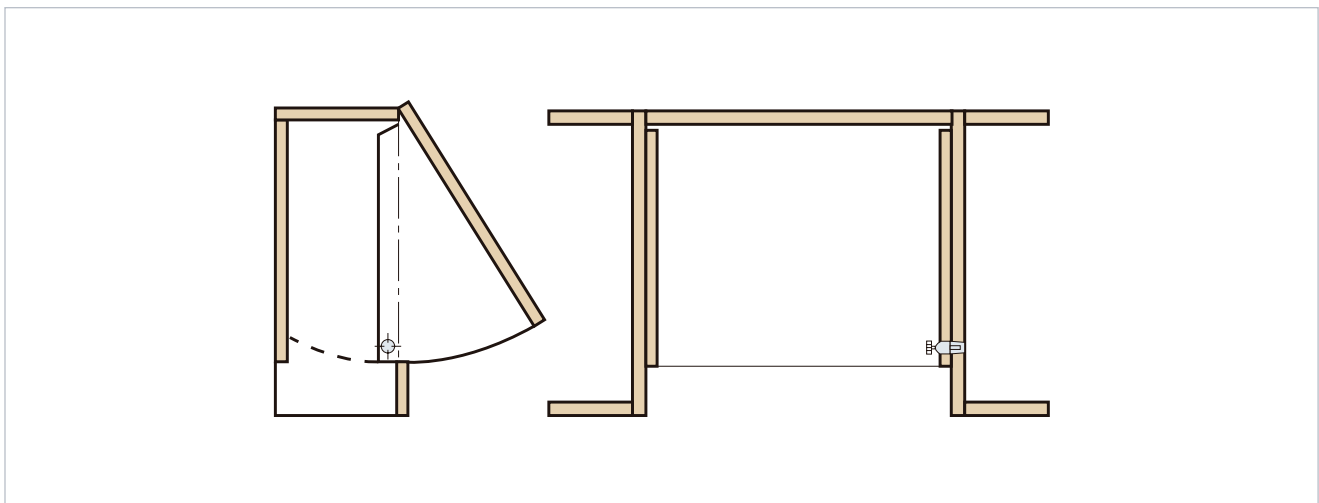
A	WHITE ALACQUERED ALUMINIUM	
290	466.629.800	10
300	466.630.802	
330	466.633.801	



EXTRACTOR HOOD ADJUSTMENT PIVOT

EXTRACTOR HOOD ADJUSTMENT PIVOT.

			
WHITE	RAL 9001	610.000.005	500
BROWN	RAL 8016	610.000.016	




4 VENTILATION GRILLE

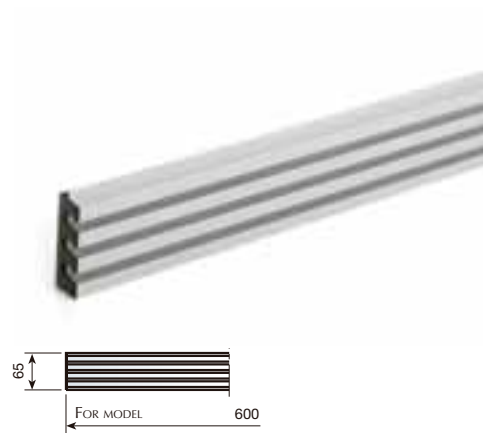


VENTILATION GRILLE: 65 MM.

VENTILATION GRILLE: 65 MM.


		
MATT ANODISED ALUMINIUM	478.065.501	10
BRASS ANODISED ALUMINIUM	478.065.781	
WHITE LACQUERED ALUMINIUM	478.065.803	
BLACK LACQUERED ALUMINIUM	478.065.895	

IN BOX OF 10 BAGS.
 EVERY BAG CONTAINS 4 LOOSE STRIPS AND 2 SUPPORTS FOR ASSEMBLY.



VENTILATION GRILLE: 130 MM.

VENTILATION GRILLE: 130 MM.

		
MATT ANODISED ALUMINIUM	478.113.506	10
BRASS ANODISED ALUMINIUM	478.113.786	
WHITE LACQUERED ALUMINIUM	478.113.801	
BLACK LACQUERED ALUMINIUM	478.113.893	

IN BOX OF 10 BAGS.
 EVERY BAG CONTAINS 8 LOOSE STRIPS AND 2 SUPPORTS FOR ASSEMBLY.

