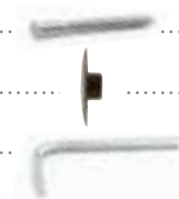


Right-hand screws

JOINING ASSEMBLIES

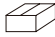
	<i>pp.</i>
1 RIGHT-HAND SCREWS	292
■ SCREWS	292
■ COVER	292
■ ALLEN KEY	292



1 RIGHT-HAND SCREWS


SCREWS

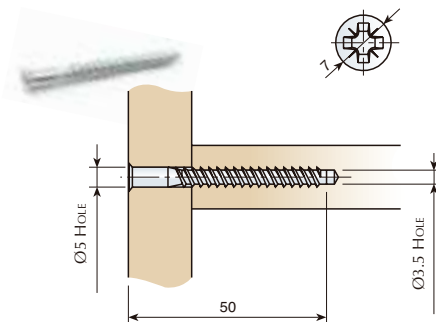
Ø5 MM. WOOD THREADED SCREW.
ALLEN HEAD

LENGTH (MM.)	50	
ZINC-PLATED	583.150.035	
BLUED	583.150.256	2.000
BICHROMATED	583.150.050	

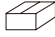


Ø5 MM. WOOD THREADED SCREW
POZIDRIVE HEAD.

LENGTH (MM.)	50	
ZINC-PLATED	583.150.030	
BLUED	583.150.251	2.000
BICHROMATED	583.150.052	

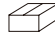


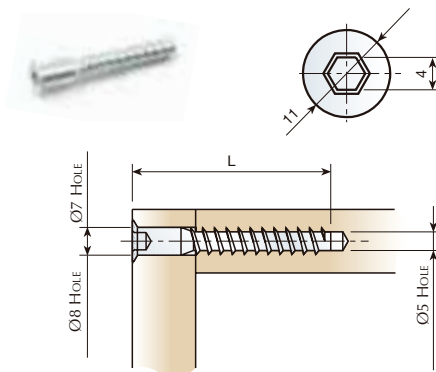
Ø7 MM. WOOD THREADED SCREW, COUNTERSUNK

LENGTH (MM.)	47	
ZINC-PLATED	583.547.031	
BLUED	583.547.252	2.000
BICHROMATED	583.547.053	



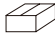
Ø8 MM. WOOD THREADED SCREW

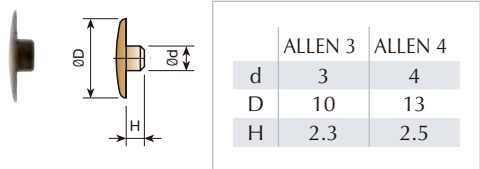
LENGTH (MM.)	38	45	50	
ZINC-PLATED	583.238.036	583.245.036	583.250.032	
BLUED	583.238.250	583.245.250	583.250.253	2.000
BICHROMATED	583.238.051	583.245.051	583.250.054	



COVER

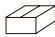
COVER FOR ALLEN HEAD SCREW.

				
WHITE	RAL 9003	540.403.006	540.500.004	
BLACK	RAL 9005	540.403.021	540.500.026	2.000 OR 10.000
OAK	RAL 1002	540.403.194	540.500.192	



ALLEN KEY

ALLEN KEY.

	3 MM.	4 MM.	
ZINC-PLATED	187.003.036	187.004.031	100 OR 1.000

