

"CLOCK" shelf assemblies

SHELF SUPPORTS

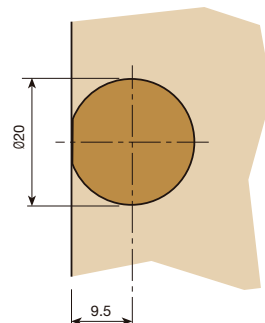
	<i>pp.</i>
1 "CLOCK" SHELF ASSEMBLIES	310
■ CLOCK ASSEMBLIES Ø20	310
■ SCREWS	311
■ CLOCK-6 ASSEMBLIES Ø20	312
■ CLOCK ASSEMBLIES Ø15 AND Ø19	313
■ CLOCK ASSEMBLIES Ø20	314



1 CLOCK ASSEMBLIES

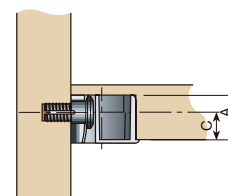
CLOCK ASSEMBLIES Ø20

- "CLOCK-1": EASY ASSEMBLY AND DISMANTLING, SIMPLY KNOCK DOWN.
- "CLOCK-2": TURNING THE CAM THE SCREW GETS LOCKED AND THE SHELF WILL BE FIXED TO THE SIDEBOARD.
- "CLOCK-3": WHEN TURNING THE CAM, THE STRIP WILL TIGHTEN THE SCREW AND THE SHELF WILL BE FIXED.
- "CLOCK-5": KNOCK DOWN FIXING; WITH METAL COVER.
- "CLOCK-6": WHEN TURNING THE SCREW, THE DOWEL WILL BE EXPANDED AND THE BOARD PULLED.



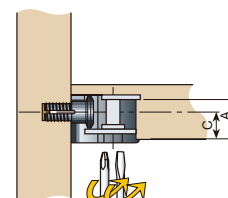
CASE Ø20 MM. "CLOCK-1".

C (MM.)	A (MM.)	WHITE RAL9003	BROWN RAL8016	BLACK RAL9005	OAK RAL1002	
2	7	913.002.005	913.002.016	913.002.020	913.002.193	2.000
8	13	913.008.003	913.008.014	913.008.025	913.008.191	
9	14	913.009.005	913.009.016	913.009.020	913.009.193	
10	15	913.010.000	913.010.011	913.010.022	913.010.195	
12.5	17.5	913.012.004	913.012.015	913.012.026	913.012.192	
15.5	20.5	913.015.003	913.015.014	913.015.025	913.015.191	



CASE Ø20 MM. "CLOCK-2".

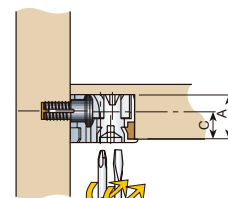
C (MM.)	A (MM.)	WHITE RAL9003	BROWN RAL8016	BLACK RAL9005	OAK RAL1002	
8	13	913.108.000	913.108.011	913.108.022	913.108.195	2.000
9	14	913.109.002	913.109.013	913.109.024	913.109.190	
10	15	913.110.004	913.110.015	913.110.026	913.110.192	



POZIDRIV PZ-3
FLAT 6.5 X 1.2

CASE Ø20 MM. "CLOCK-3".

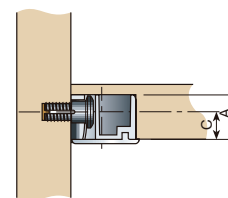
C (MM.)	A (MM.)	BLACK ZINC-PLATED	NICKEL-PLATED	
8	13	913.208.041	913.208.063	500
9	14	913.209.043	913.209.065	
10	15	913.210.045	913.210.060	
12.5	17.5	913.212.042	913.212.064	
15.5	20.5	913.215.041	913.215.063	



POZIDRIV PZ-3
FLAT 6.5 X 1.2


CASE Ø20 MM. "CLOCK-5".

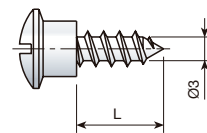
C (MM.)	A (MM.)	NICKEL-PLATED	
8	13	913.408.064	2.000
9	14	913.409.066	
10	15	913.410.061	
12.5	17.5	913.412.065	
15.5	20.5	913.415.064	




SCREWS

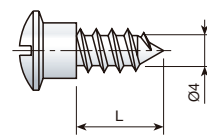
WOOD THREADED SCREW FOR Ø3 MM DRILLING.

L (MM.)	ZINC-PLATED	
9	923.309.030	
11	923.311.034	500 OR 5.000
14	923.314.033	




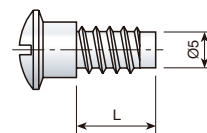
WOOD THREADED SCREW FOR Ø4 MM DRILLING.

L (MM.)	ZINC-PLATED	
9	923.409.034	
11	923.411.031	500 OR 5.000
14	923.414.030	




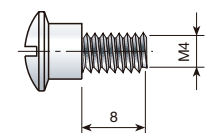
WOOD THREADED SCREW FOR Ø5 MM DRILLING.

L (MM.)	ZINC-PLATED	
7,5	923.507.034	
10	923.510.033	500 OR 5.000
13	923.513.032	




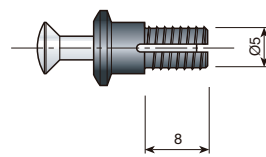
M4 SCREW.

ZINC-PLATED	923.708.030	
		500 OR 5.000




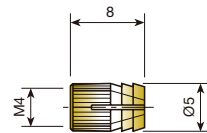
EXPANDING SCREW.

BLACK RAL 9005	Ø5MM	
922.905.023		500 OR 5.000




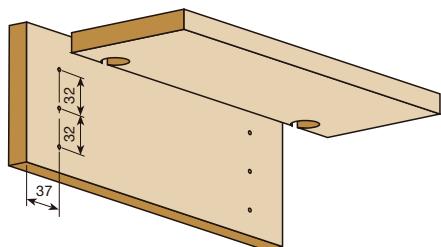
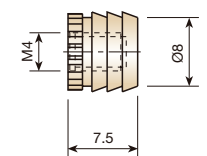
M4 BRASS EXPANDING NUT.

NATURAL	944.805.105	
		2.000 OR 10.000



M4 NYLON NUT.

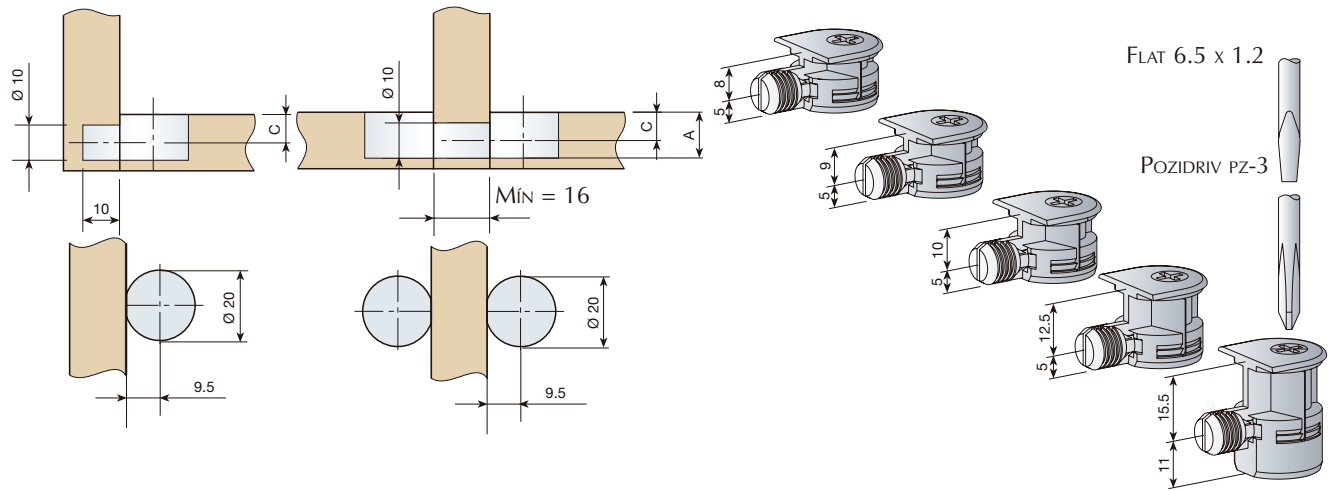
NATURAL	937.004.106	
BROWN RAL 8016	937.004.014	2.000 OR 10.000



CLOCK-6 ASSEMBLIES Ø20

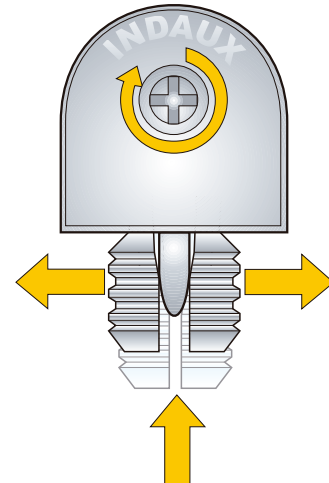
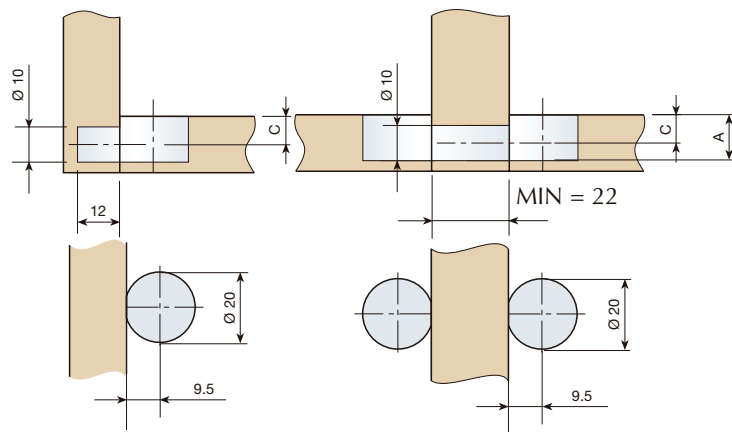
SHORT "CLOCK-6" Ø20 MM CASE.

C (MM.)	A (MM.)	NICKEL-PLATED	
8	13	526.108.063	
9	14	526.109.065	
10	15	526.110.060	500
12.5	17.5	526.112.064	
15.5	26.5	526.115.063	



LONG "CLOCK-6" Ø20 MM CASE.

C (MM.)	A (MM.)	NICKEL-PLATED	
8	13	526.008.066	
9	14	526.009.061	
10	15	526.010.063	500
12.5	17.5	526.012.060	
15.5	26.5	526.015.066	

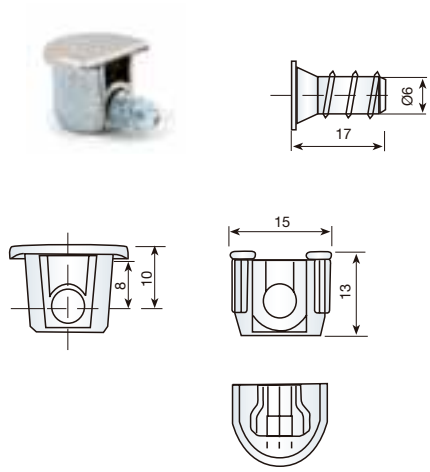


■ CLOCK ASSEMBLIES Ø15, Ø19


CLOCK Ø15 CASE.

		
NICKEL-PLATED	915.008.065	1000

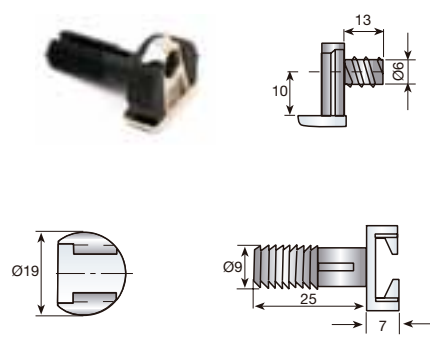
THIS REFERENCE INCLUDES A COUPLING SCREW.



CLOCK Ø19 RECTANGULAR CASE.

		
NICKEL-PLATED	915.100.060	5000

THIS REFERENCE HAS 1 ZAMAK BODY, 1 PLASTIC WALL PLUG AND 1 COUPLING SCREW.

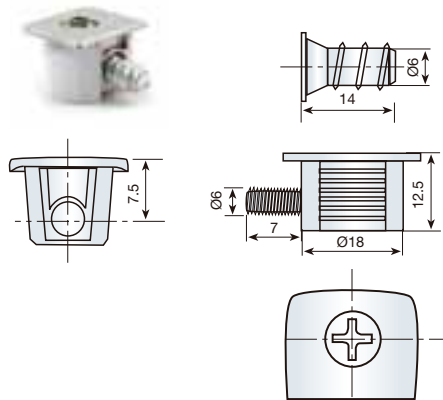


■ CLOCK ASSEMBLIES Ø20


SQUARE CLOCK Ø18 CASE.

		
NICKEL-PLATED	915.208.066	5000

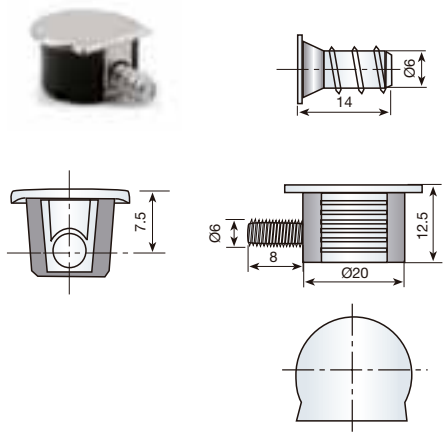
THIS REFERENCE INCLUDES A COUPLING SCREW.




CLOCK Ø20 CASE WITH NICKEL-PLATED COVER.

		
NICKEL-PLATED	915.308.063	5000

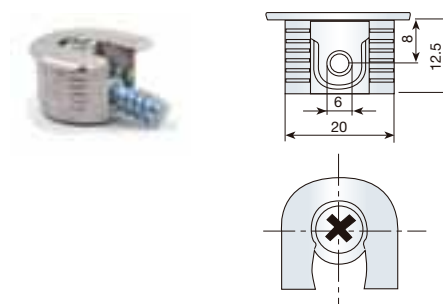
THIS REFERENCE INCLUDES A COUPLING SCREW.



CLOCK Ø20 CASE WITH NICKEL-PLATED ZAMAK BODY.

		
NICKEL-PLATED	915.408.060	2500

THIS REFERENCE INCLUDES A COUPLING SCREW.



CLOCK Ø20 CASE WITH NICKEL-PLATED ZAMAK BODY S/32.

		
NICKEL-PLATED	915.508.064	2500

THIS REFERENCE INCLUDES A COUPLING SCREW.

