



HIGH WEIGHT RESISTANCE SUSPENSION HANGER , CONCEALED BEHIND THE BACK OF THE CABINET. 3-WAY ADJUSTMENT. SCREW-FIX OR DOWEL-FIX VERSIONS.

“TRASER-8”

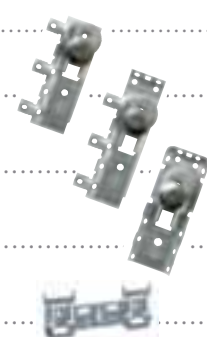
CONCEALED HANGER “TRASER”

"TRASER-8"

CONCEALED HANGER "TRASER"

HIGH WEIGHT RESISTANCE SUSPENSION HANGER, CONCEALED BEHIND THE BACK OF THE CABINET. 3-WAY ADJUSTMENT. SCREW-FIX OR DOWEL-FIX VERSIONS.


	<i>pp.</i>
1 "TRASER-8"	341
■ KNOCK-IN ASSEMBLY	341
■ KNOCK-IN ASSEMBLY WITH UPPER SUPPORT	342
■ SCREW-FIX ASSEMBLY	343
■ ACCESSORIES	344



1 "TRASER-8"

"TRASER-8": KNOCK-IN ASSEMBLY

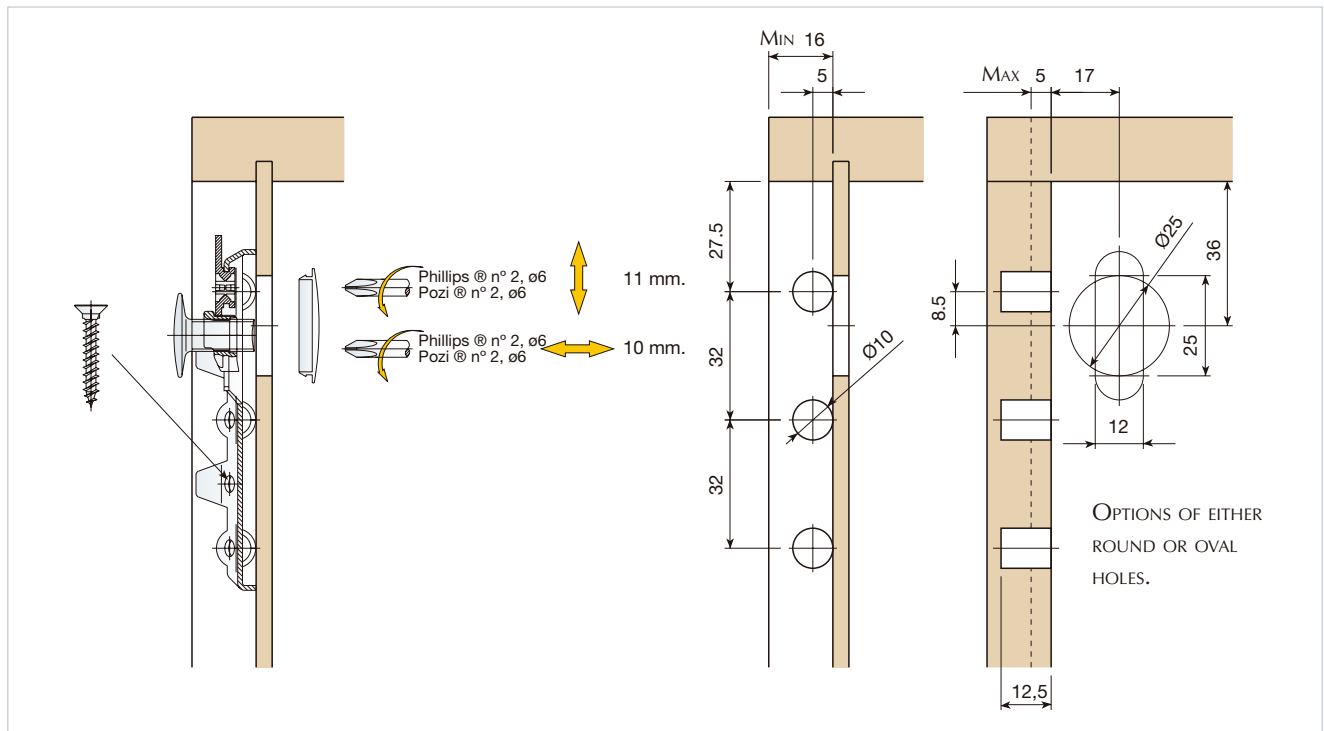
KNOCK-IN ASSEMBLY.

ZINC-PLATED		
LEFT-HAND	627.100.036	100
RIGHT-HAND	627.200.033	

THE MAXIMUM LOAD PER HANGER IS 65 KG (EQUIVALENT TO 130 KG PER SET) CALCULATED WITH A SAFETY FACTOR $k=2$, IN ACCORDANCE WITH DIN 68.840 (ACTUAL CABINET HEIGHT $H=700$ MM AND WIDTH $w=350$ MM). OTHER SIZES MUST ALSO BE UNDER $32.5 \cdot H/W$ KILOS PER SET, WHERE $k=2$. MINIMUM TWO $\varnothing 4 \times 30$ MM. FIXING SCREWS AS INDICATED.



3 ADJUSTMENTS	
HEIGHT	11 MM
FRONT	10 MM
SIDE	12 MM



■ "TRASER-8": KNOCK-IN ASSEMBLY WITH UPPER SUPPORT

KNOCK-IN ASSEMBLY WITH UPPER SUPPORT.

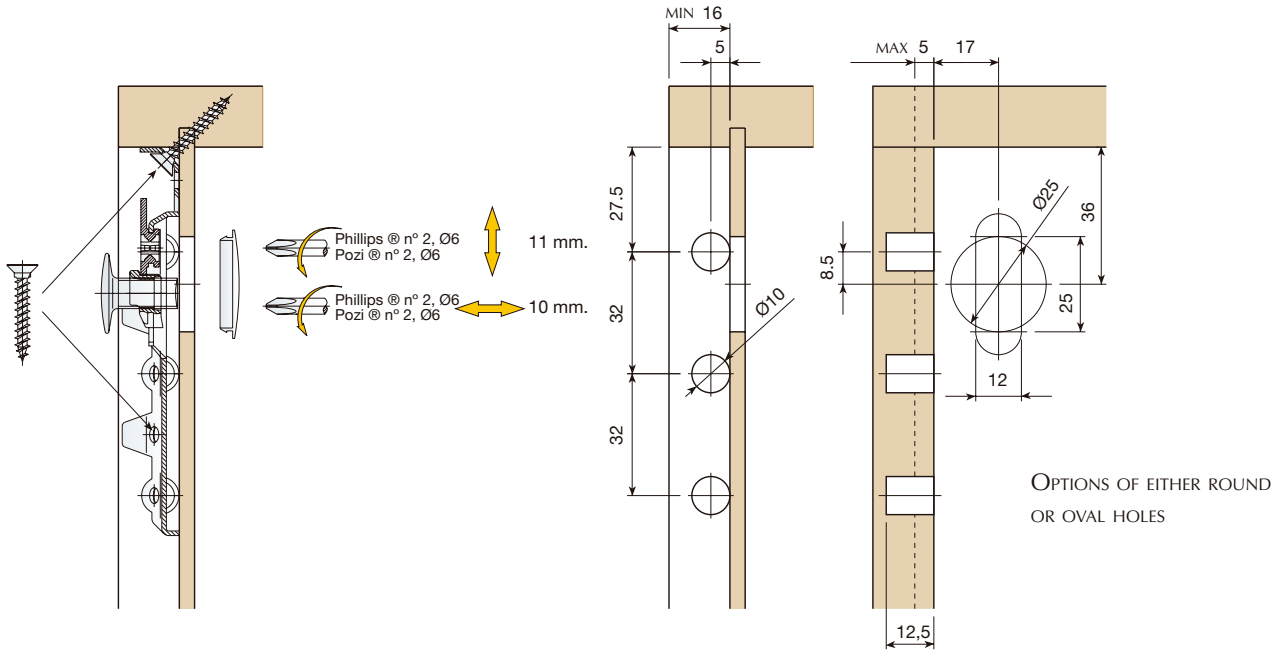
ZINC-PLATED		
LEFT-HAND	627.300.030	100
RIGHT-HAND	627.400.034	

THE MAXIMUM LOAD PER HANGER IS 65 KG (EQUIVALENT TO 130 KG PER SET) CALCULATED WITH A SAFETY FACTOR $k=2$, IN ACCORDANCE WITH DIN 68.840 (ACTUAL CABINET HEIGHT $H=700$ MM AND WIDTH $w=350$ MM). OTHER SIZES MUST ALSO BE UNDER $32.5 \cdot H/w$ KILOS PER SET, WHERE $k=2$. MINIMUM TWO $\varnothing 4 \times 30$ MM. FIXING SCREWS AS INDICATED..

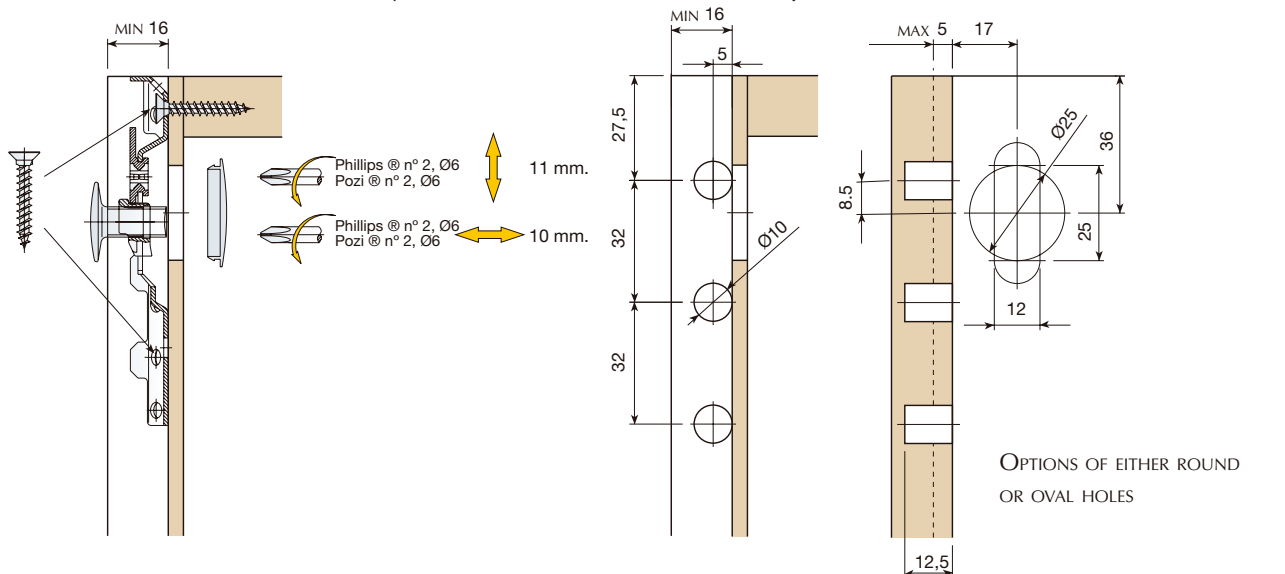
3 ADJUSTMENTS	
HEIGHT	11 MM
FRONT	10 MM
SIDE	12 MM



Assembly on to a cabinet with a deep top



Assembly onto a cabinet with a short top



■ "TRASER-8": SCREW-FIXED ASSEMBLY

SCREW-FIX.

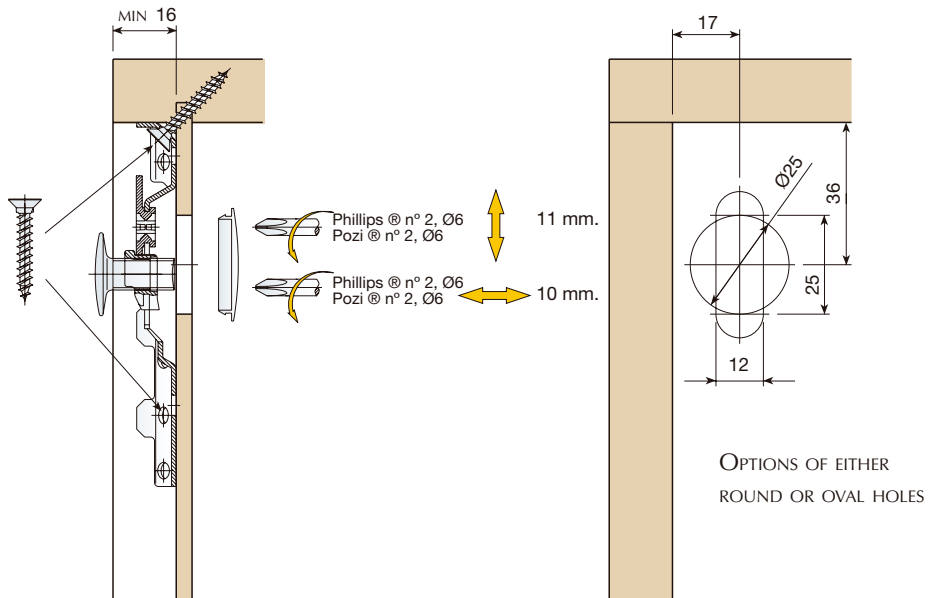
ZINC-PLATED	627.000.032	100
-------------	-------------	-----

THE MAXIMUM LOAD PER HANGER IS 65 KG (EQUIVALENT TO 130 KG PER SET) CALCULATED. WITH A SAFETY FACTOR $k=2$, IN ACCORDANCE TO DIN 68.840 (ACTUAL CABINET HEIGHT $H=700$ MM AND WIDTH $w=350$ MM). OTHER SIZES MUST ALSO BE UNDER $32.5 \cdot H/w$ KILOS PER SET, WHERE $k=2$. MINIMUM TWO $\varnothing 4 \times 25$ MM. FIXING SCREWS AS INDICATED.

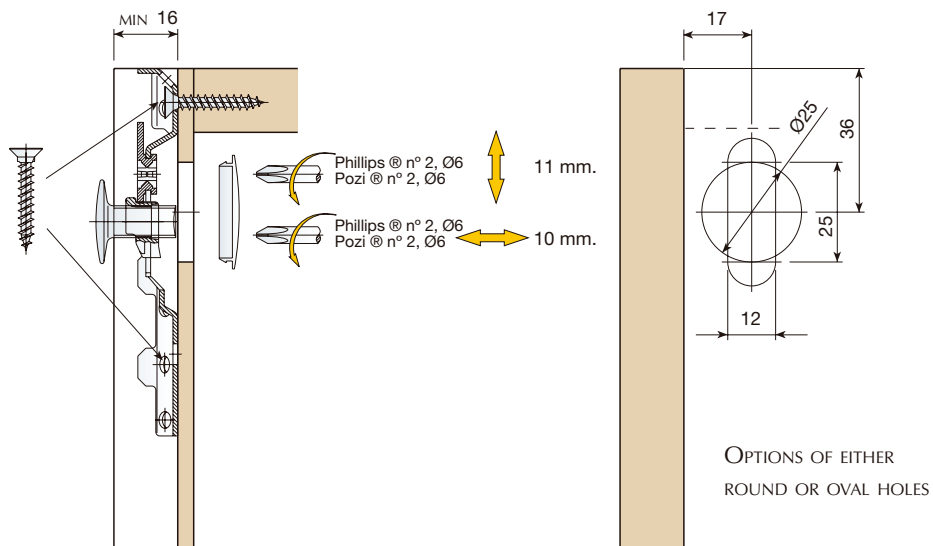


3 ADJUSTMENTS	
HEIGHT	11 mm
FRONT	10 mm
SIDE	12 mm

Assembly onto a cabinet with a deep top



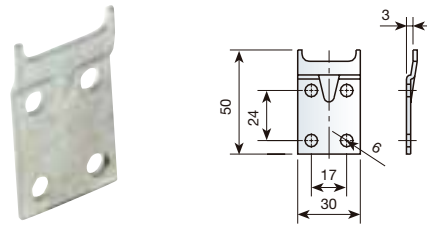
Assembly onto a cabinet with a short top



■ "TRASER-8": ACCESSORIES

TRASER SINGLE WALL MOUNTING PLATE

			
ZINC-PLATED	622.000.035	500	



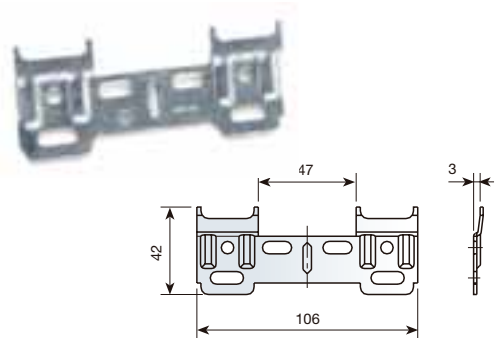
BAG OF ACCESSORIES

			
	630.100.100	250	


250 BAGS PER BOX. EACH BAG CONSISTS OF 2 WALL MOUNTING PLATES, 4 x Ø6 x 30 PLASTIC WALL PLUGS AND 4 x Ø4.5 X 35 SCREWS.

TRASER DOUBLE WALL MOUNTING PLATE

			
ZINC-PLATED	620.400.034	250	




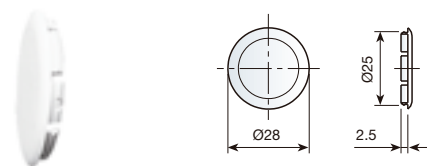
BAG OF ACCESSORIES

			
	630.700.103	200	


250 BAGS PER BOX. EACH BAG CONSISTS OF 2 WALL MOUNTING PLATES, 4 x Ø6 x 30 PLASTIC WALL PLUGS AND 4 x Ø4.5 X 35 SCREWS.

COVER CAP FOR Ø25 HOLE

			
WHITE RAL 9003	530.400.006	2.000	
NICKEL-PLATED	530.400.065	1.000	



COVER CAP FOR OVAL 12 HOLE.

			
WHITE RAL 9003	961.412.001	1.000	
NICKEL-PLATED	961.512.064		

