

COMPLETELY CONCEALED SHELF  
SUPPORT. CAPABLE OF WITHSTANDING  
HEAVY LOADS. NO COVER CAP IS  
NECESSARY. 3-WAY ADJUSTMENT.

# "TENTI-9"

"TENTI" SHELF SUPPORT


# "TENTI-9"

## "TENTI" SHELF SUPPORT

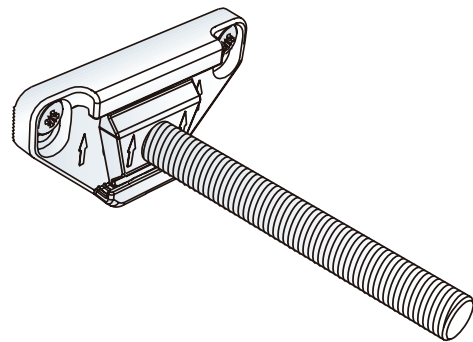
### 1 "TENTI-9"

COMPLETELY CONCEALED SHELF SUPPORT. CAPABLE OF WITHSTANDING HEAVY LOADS. NO COVER CAP IS NECESSARY. 3-WAY ADJUSTMENT.

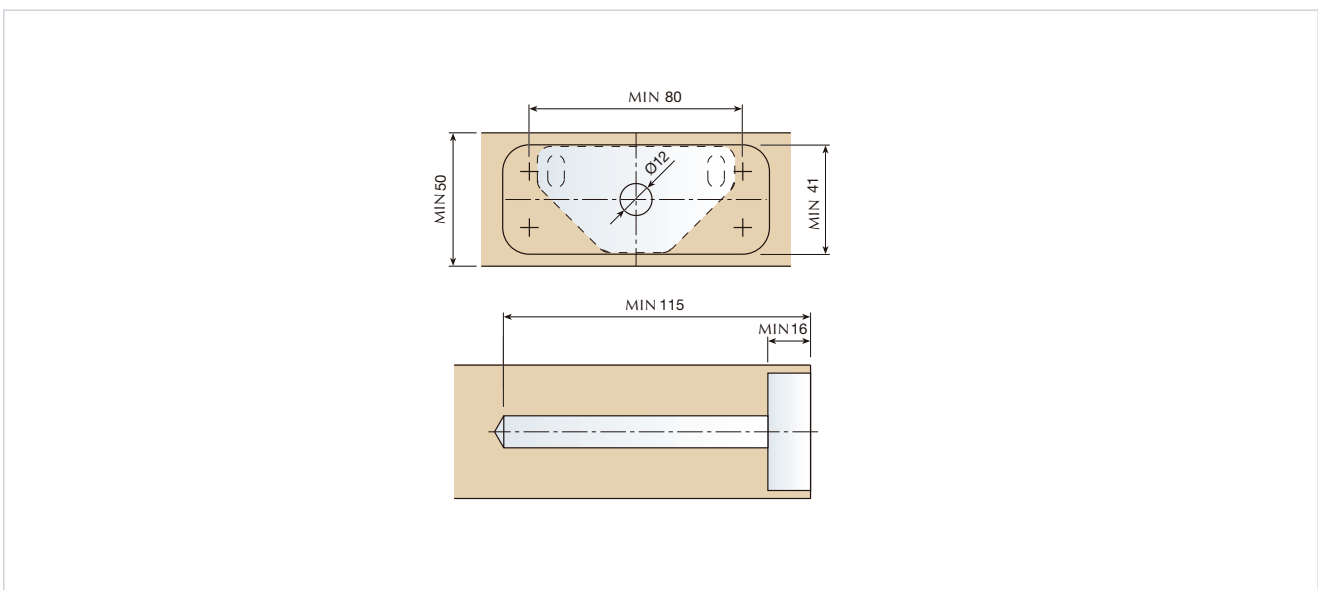
SHELF SUPPORT

		
NATURAL	633.612.103	100

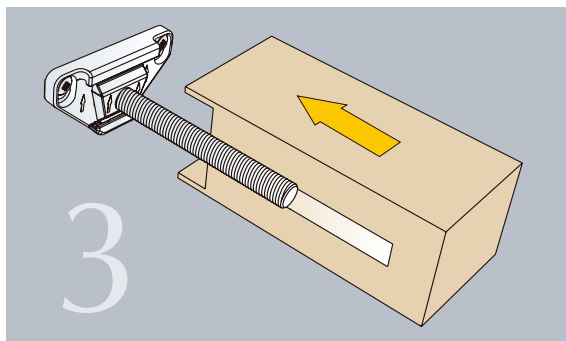
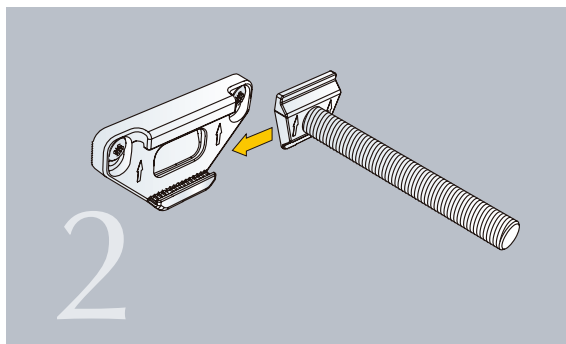
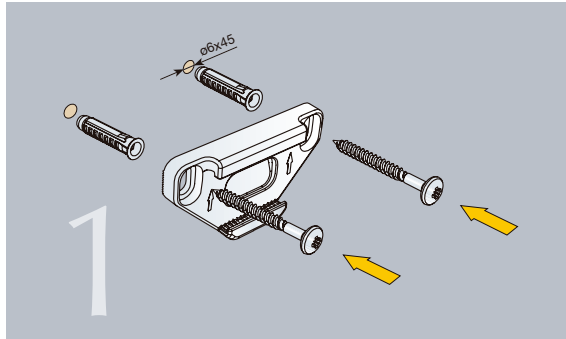
EACH REFERENCE CONSISTS OF 1 SHELF SUPPORT SET, 2 x Ø6x30 WALL PLUGS AND 2 x Ø4.5x45 SCREWS.



*Machining of the shelf.*



### Assembly "Tenti-9"



### Adjustment

