


Fittings for light doors

FITTINGS FOR SUPPORTED SLIDING DOORS:
LIGHT DOORS IN WOOD OR ALUMINIUM. DOORS UP TO 50KP.
UNMACHINED CUPBOARD DOORS. UNMACHINED JAPANESE DOOR.

	<i>pp.</i>
1 "JUNIOR-0"	576
<hr/>	
2 "JUNIOR-1"	577
<hr/>	
3 "MINI"	578
<hr/>	
4 "TALL"	579
<hr/>	
5 "UPPER"	580
<hr/>	
6 "DÚO"	582

1 "JUNIOR-0"

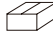
EMBEDDED UPPER TRACK.

	SPECIAL LENGTH	6 M BARS	
NATURAL	706.000.503	706.060.504	10

IN 6M. BARS.




EMBEDDED LOWER TRACK.

	SPECIAL LENGTH	6 M BARS	
NATURAL	706.100.500	706.160.501	10

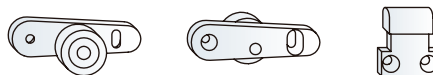
IN 6M. BARS.




INNER DOOR KIT.

		
DOOR	705.500.106	10

PACKED IN A BOX OF 10 BAGS CONTAINING THE UPPER AND LOWER ROLLERS NECESSARY FOR ONE DOOR EACH.




EDGE TRACK.

	SPECIAL LENGTH	6 M BARS	
NATURAL	706.200.504	706.260.505	10

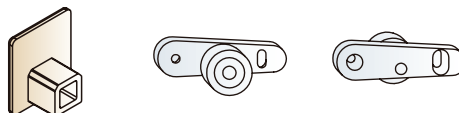
IN 6M. BARS.



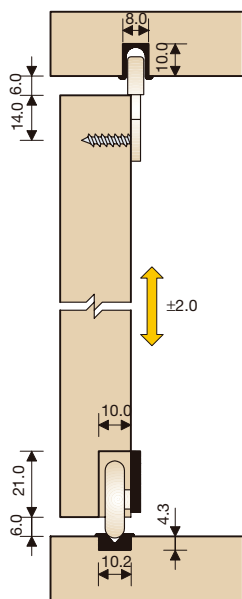
OUTER DOOR KIT.

		
DOOR	705.600.103	10

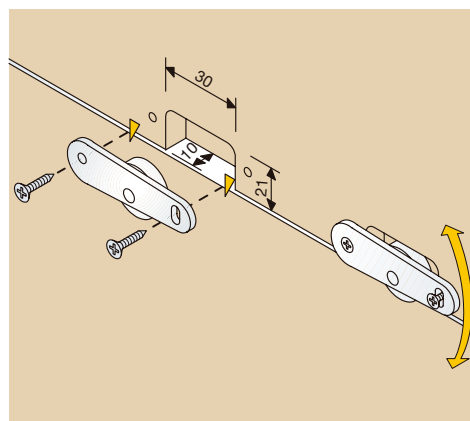
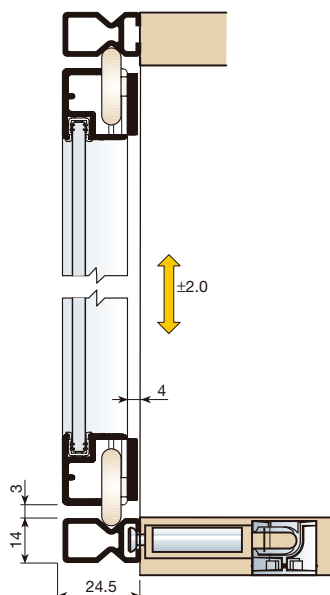
PACKED IN A BOX OF 10 BAGS CONTAINING THE LOWER AND UPPER CARRIAGES AND STOPS NECESSARY FOR ONE DOOR EACH.



Example of an interior wooden door



Example of an exterior aluminium door



2 "JUNIOR-1"

UPPER/LOWER PLASTIC SINGLE TRACK.

WHITE	RAL 9003	721.006.005	25
BROWN	RAL 8016	721.006.016	
BLACK	RAL 9005	721.006.020	
OAK	RAL 1002	721.006.193	

IN 2M STRIPS.

UPPER GUIDE.

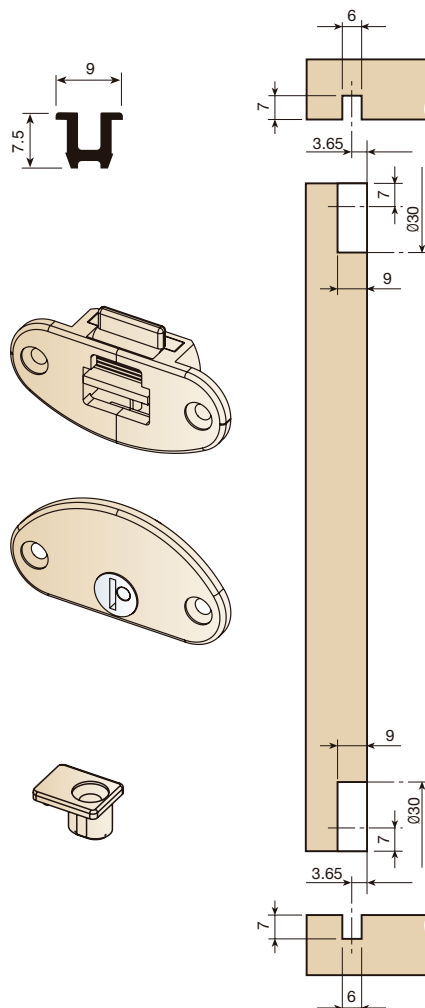
BROWN	RAL 8016	721.707.011	200
-------	----------	-------------	-----

LOWER GUIDE.

BROWN	RAL 8016	721.807.015	200
-------	----------	-------------	-----

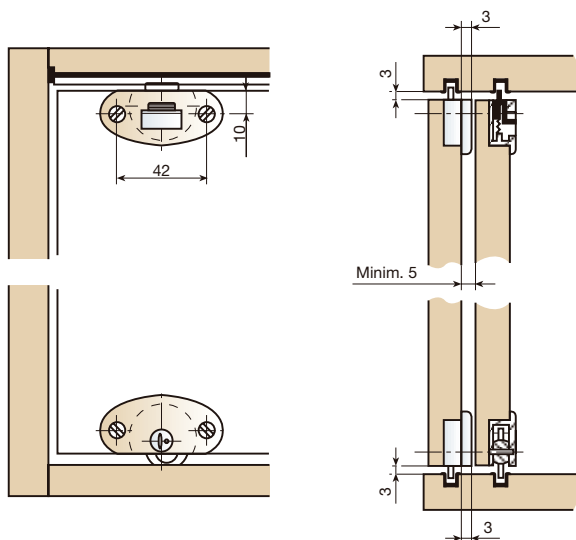
EDGE STOP.

WHITE	RAL 9003	741.606.003	200
BROWN	RAL 8016	741.606.014	
BLACK	RAL 9005	741.606.025	
OAK	RAL 1002	741.606.191	

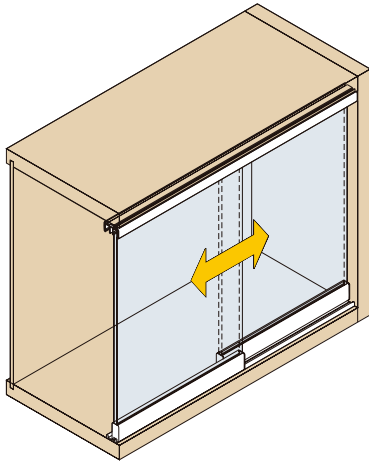


TECHNICAL DATA

LIGHT SYSTEM, EASY TO ASSEMBLE. 2MM HEIGHT ADJUSTMENT. 12 KP. LOAD CAPACITY.



3 "MINI"



SET OF TRACKS.

MATT SILVER	709.900.516	1
-------------	-------------	---

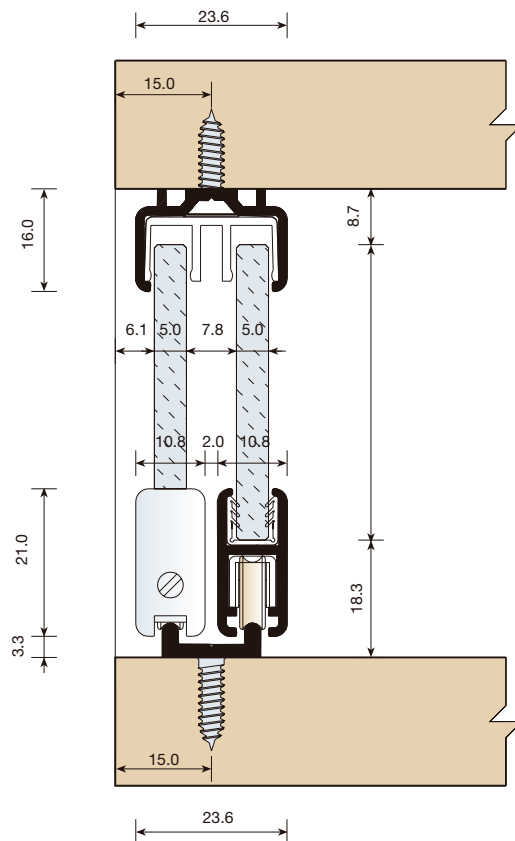
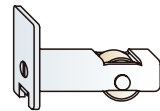
EACH REF. CONSISTS OF 1 UPPER TRACK WITH STRIP AND 1 LOWER TRACK.



SET OF FITTINGS FOR DOOR.


MATT SILVER	709.700.515	1
-------------	-------------	---

EACH REF. CONSISTS OF 1 TRACK AND 2 ROLLERS.



4 "TALL"

BAG OF COMPONENTS.

		
ANODIZED MATT SILVER	709.400.510	1

EACH BAG CONTAINS:

	UNITS
GLASS DOOR TRACK A	4
TRACK GUIDE B	2
SLIDING TRACK C	2
JOINING BRACKET D	4



A

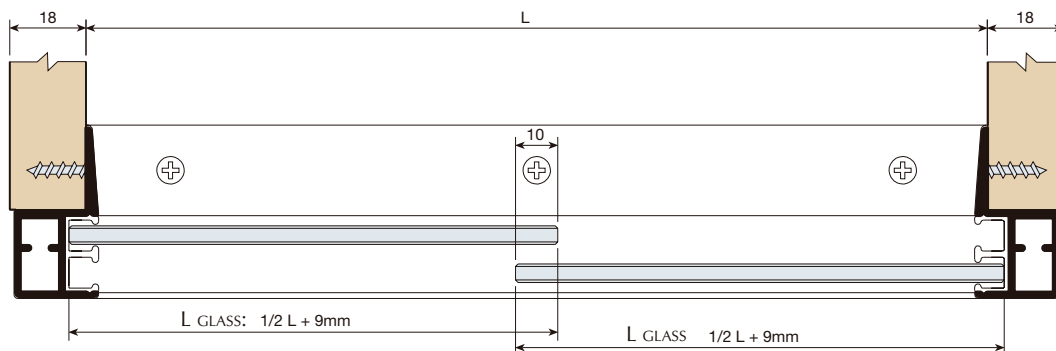
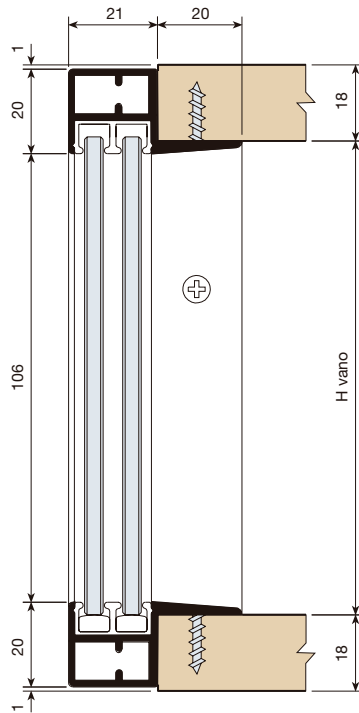
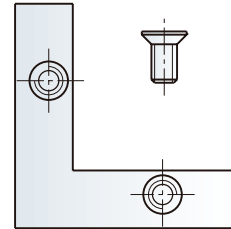
B



C



D




5 "UPPER"

UPPER TRACK.

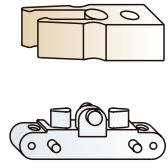
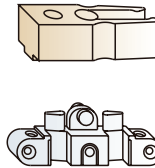
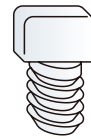
	CUT-TO-MEASURE	3M. BAR	
MATT SILVER	709.500.514	709.530.511	10



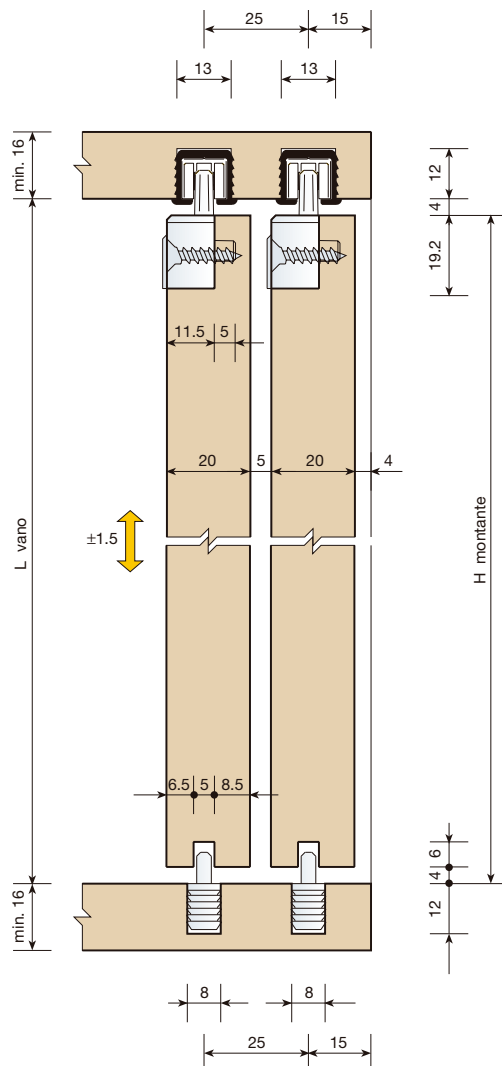
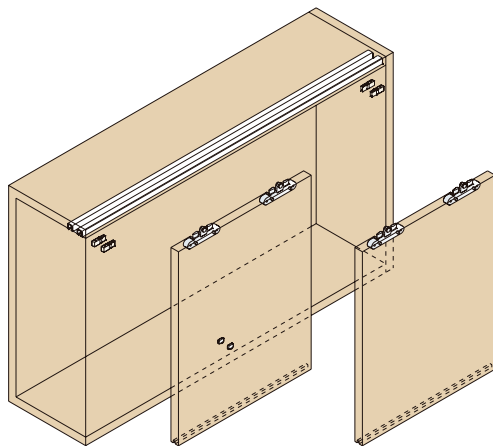
SET OF FITTINGS.

		
1 DOOR	709.600.102	10

EACH REF. CONSISTS OF 2 UPPER CARRIAGES, 2 BRAKES AND 1 GUIDE RAIL.

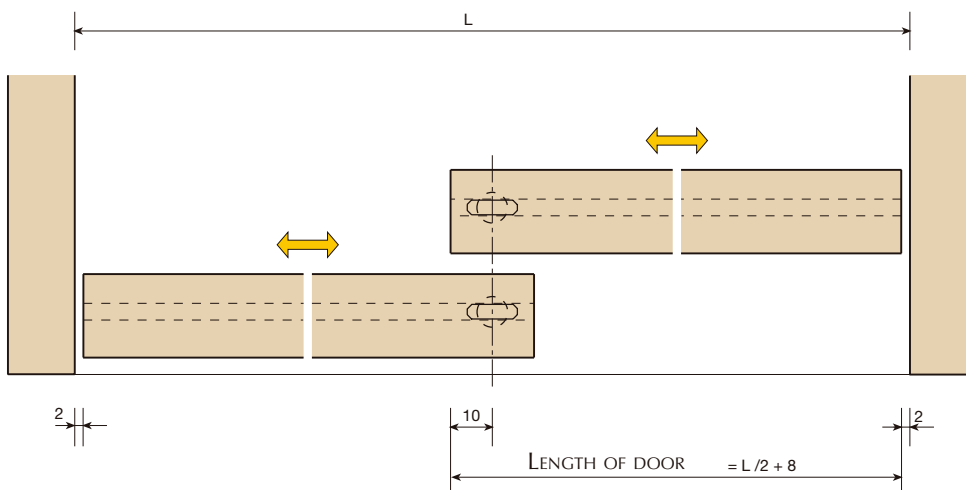
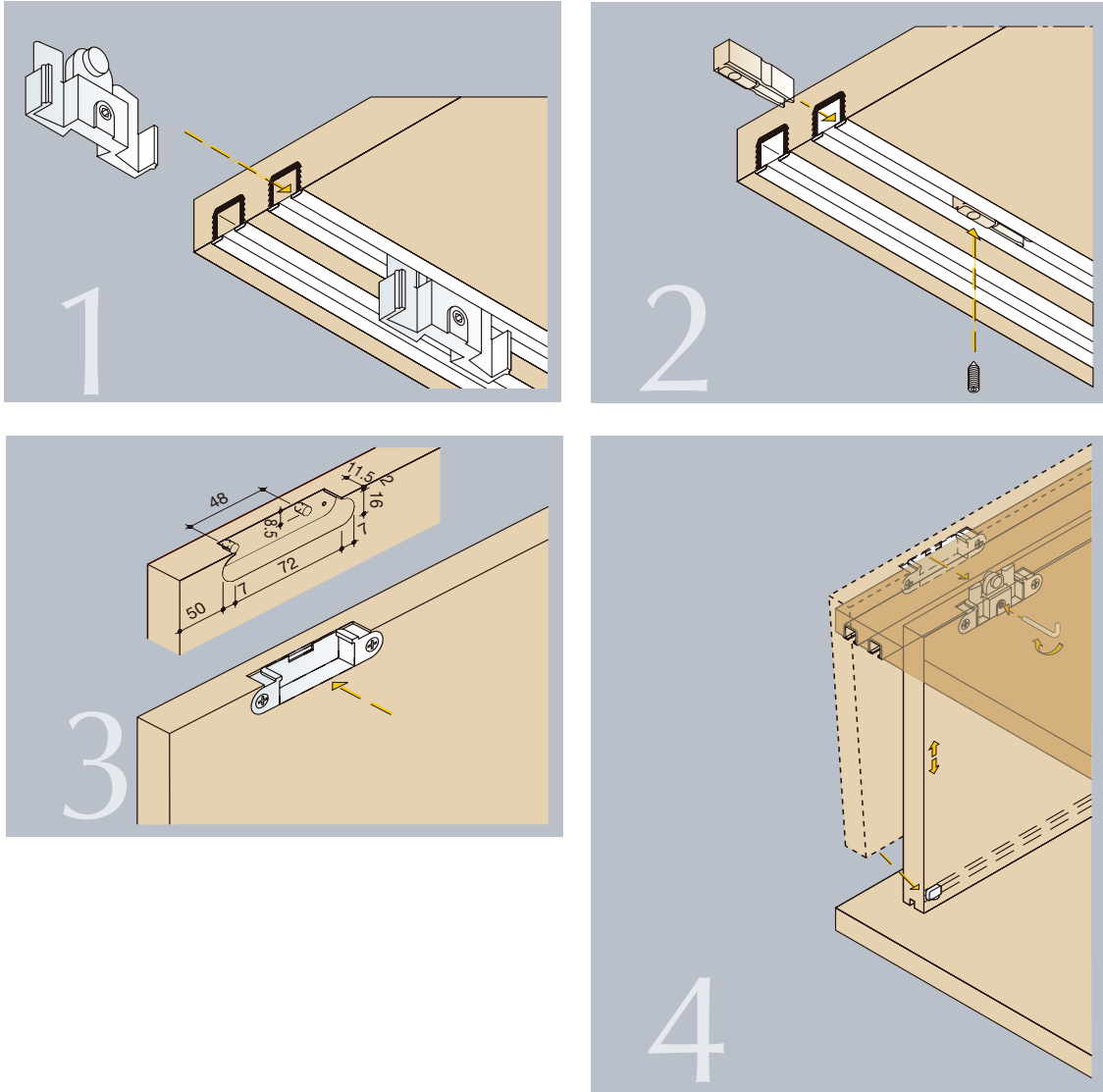


TECHNICAL DATA



■ TECHNICAL DATA

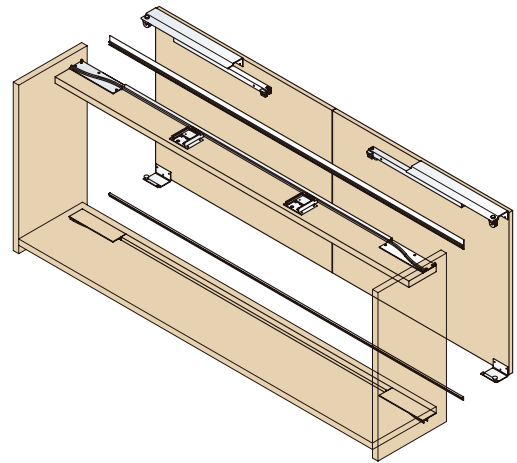
Assembly



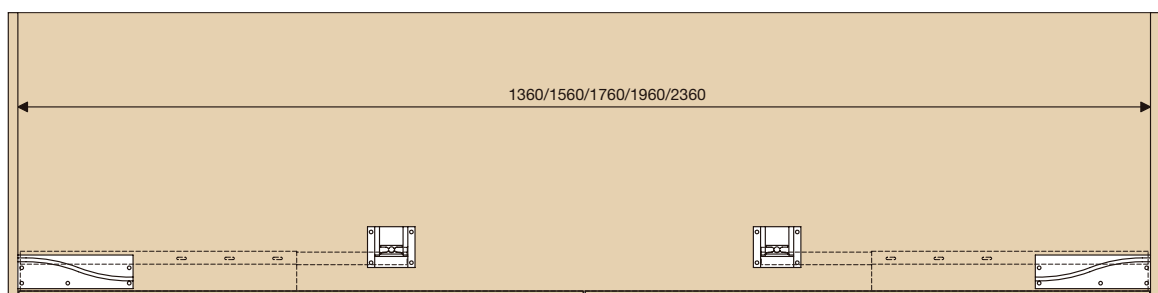
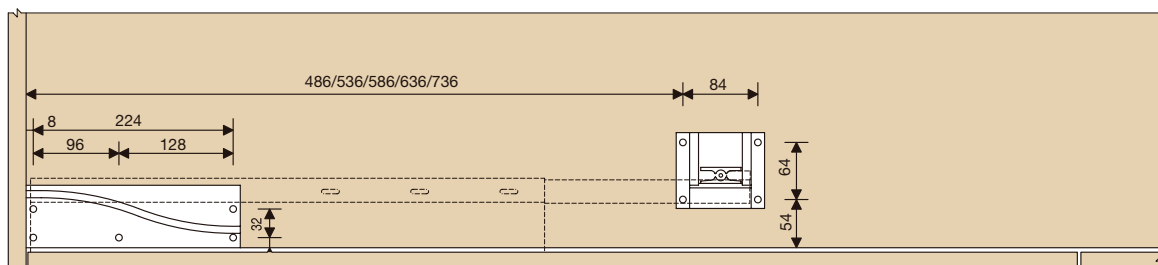
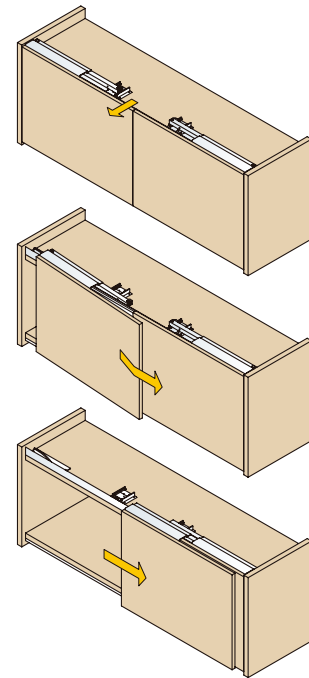
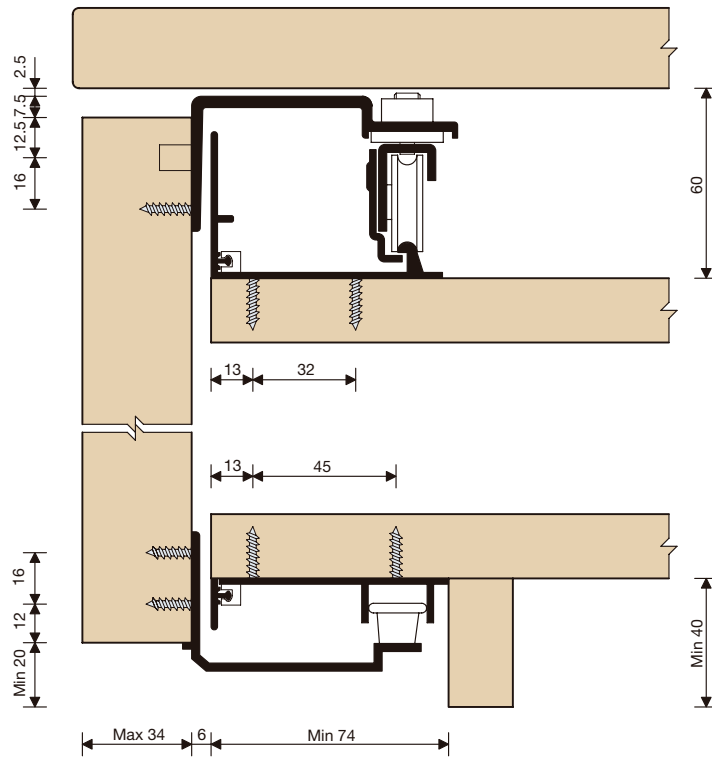
6 "DÚO"

SET OF FITTINGS.

DOOR SIZE		
655-705	703.507.103	1 
755-805	703.508.105	
855-905	703.509.100	
955-1005	703.510.102	
1155-1205	703.512.106	



TECHNICAL DATA



■ TECHNICAL DATA

Assembly

