


Fittings for supported doors

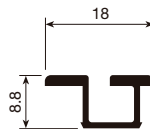
LIGHT DOORS IN WOOD OR ALUMINIUM. DOORS UP TO 50 KP.
UNMACHINED CUPBOARD DOORS. UNMACHINED JAPANESE DOOR.

	<i>pp.</i>
1 "JUNIOR-4"	598
<hr/>	
2 "JUNIOR-2"	600
■ "JUNIOR-2E"	600
■ "JUNIOR-2S"	602
<hr/>	
3 "JUNIOR-3"	604
■ "JUNIOR-3E"	604
■ "JUNIOR-3S"	606
<hr/>	
4 "JUNIOR-5"	608
<hr/>	
5 "JUNIOR-6"	611
■ "JUNIOR-6" CLÁSSIC	614
■ "JUNIOR-6" INDAMATIC	616

1 "JUNIOR-4"


SINGLE TRACK.

FINISH	2M BARS	3M BARS	
SILVER-ANODIZED	721.220.102	721.230.101	
BRASS-ANODIZED	721.220.780	721.230.786	10
BLACK-ANODIZED	721.220.894	721.230.893	6
GOLDEN-ANODIZED	721.220.776	721.230.775	50
WHITE-LACQUERED RAL 9010	721.220.802	721.230.801	

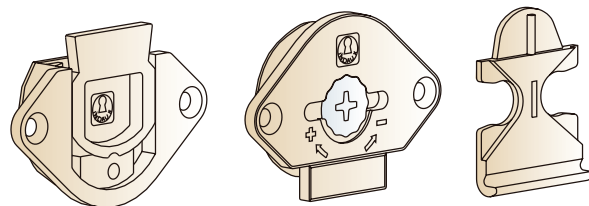


FOR OTHER LENGTHS, PLEASE CONSULT.


SET OF FITTINGS FOR 50 KP.

BROWN RAL 8016	722.500.015	100	
----------------	-------------	-----	---

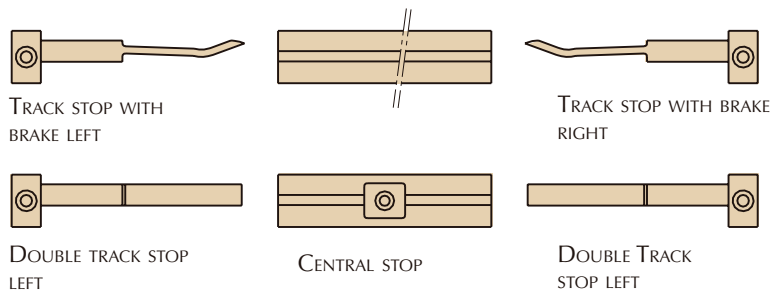
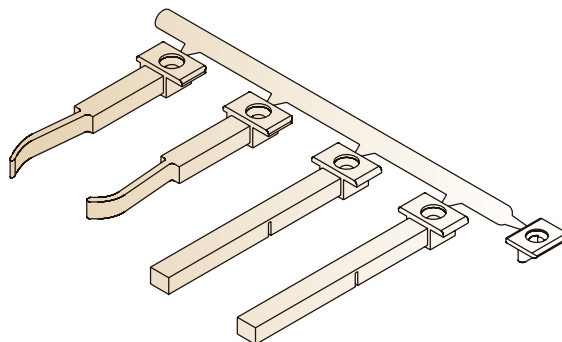
LOWER ROLLER WITH STEEL BALL-BEARING MOUNTED WHEEL.



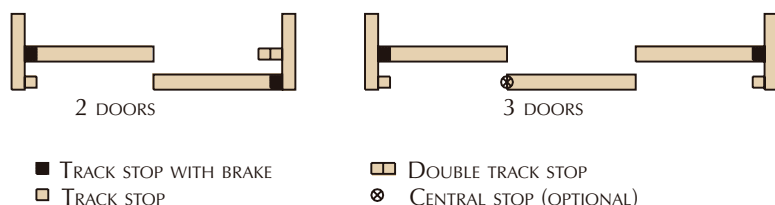
ACCESSORIES SET.

WHITE RAL 9003	716.307.001		
BROWN RAL 8016	716.307.012	50	
BLACK RAL 9005	716.307.023		
OAK RAL 1002	716.307.196		

REFERENCE CONSISTS OF 1 LEFT-HAND TRACK STOP WITH BRAKE, 1 RIGHT-HAND TRACK STOP WITH BRAKE, 1 DOUBLE LEFT-HAND TRACK STOP, 1 DOUBLE RIGHT-HAND TRACK STOP AND 1 TRACK STOP.



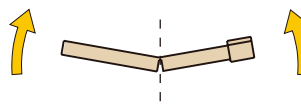
Assembly



THE DOUBLE TRACK STOP ALLOWS THE ACCESS TO THE PULLING PROFILE OF THE INNER DOOR



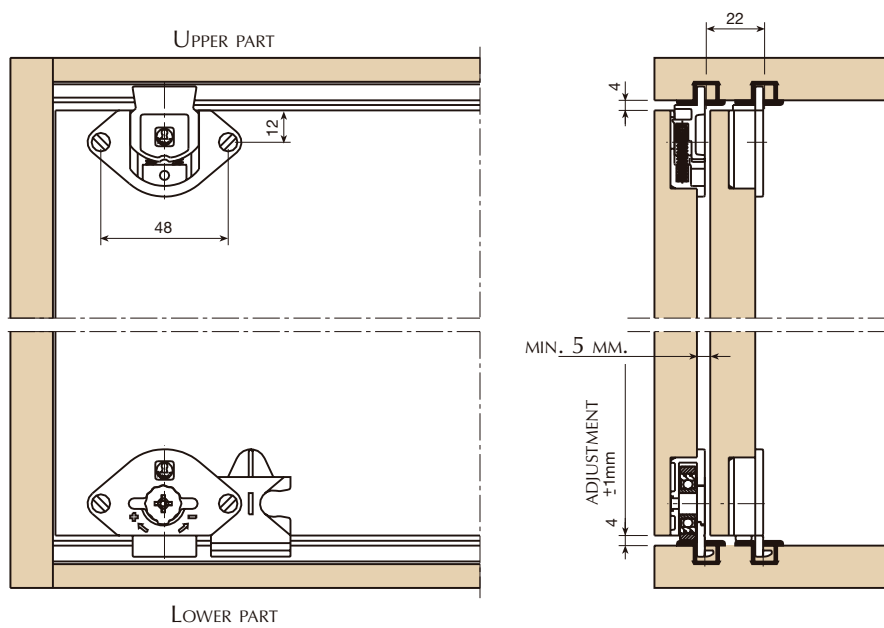
TO GET A SINGLE TRACK STOP, JUST BREAK THE DOUBLE TRACK STOP.



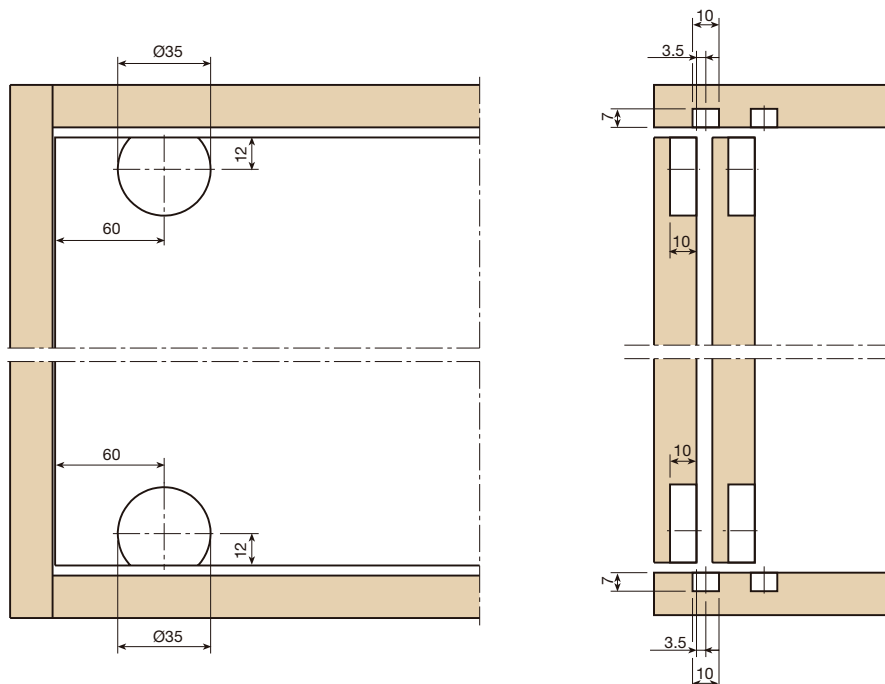
TECHNICAL DATA

LIGHT AND EASY TO FIT. LOWER ROLLER WITH VERTICAL ADJUSTMENT. FOR DOORS UP TO 50 KG.

Assembly



Drilling plan

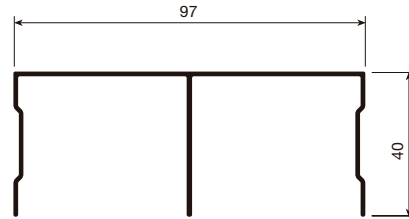


2 "JUNIOR-2"

"JUNIOR-2E"

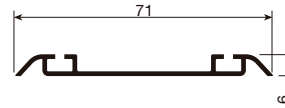
UPPER DOUBLE GUIDE TRACK.

	4,2M BARS	
SILVER-ANODIZED	711.900.103	10
BRASS-ANODIZED	711.900.781	
BLACK-ANODIZED	711.900.895	
GOLDEN-ANODIZED	711.900.770	
WHITE-LACQUERED	711.900.803	



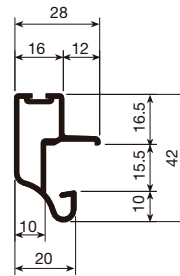
LOWER DOUBLE SUPPORTING TRACK.

	4,2M BARS	
SILVER-ANODIZED	711.800.106	10
BRASS-ANODIZED	711.800.784	
BLACK-ANODIZED	711.800.891	
GOLDEN-ANODIZED	711.800.773	
WHITE-LACQUERED	711.800.806	



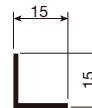
PULLING PROFILE (HANDLE).

	2,6M BARS	5,2M BARS	
SILVER-ANODIZED		711.716.106	10
BRASS-ANODIZED		711.716.784	
BLACK-ANODIZED		711.716.891	
GOLDEN-ANODIZED		711.716.773	
WHITE-LACQUERED		711.716.806	
BEECH COATED, NOT VARNISHED	712.916.864		10
PINE VALSAIN COATED, NOT VARNISHED	712.916.875		
OAK COATED, NOT VARNISHED	712.916.901		
OAK COATED, VARNISHED	712.916.912		
SAPPELI COATED, VARNISHED	712.916.923		
SAPPELI COATED, NOT VARNISHED	712.916.934		
CHERRY COATED, NOT VARNISHED	712.916.945		



EDGE PROFILE.

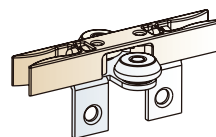
	2M BARS	
SILVER-ANODIZED	711.500.101	20
BRASS-ANODIZED	711.500.786	
BLACK-ANODIZED	711.500.893	
GOLDEN-ANODIZED	711.500.775	
WHITE-LACQUERED	711.500.801	



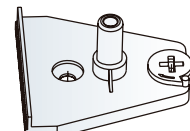
BAG OF COMPONENTS MOD. "JUNIOR 2-E".

LOAD	2 DOORS	3 DOORS	
50Kp.	702.220.105	702.330.101	10

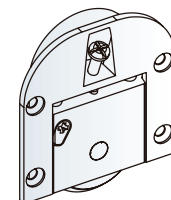
PROFILES MANUFACTURED IN ALUMINIUM. COMPLETE COMPONENTS FOR 2 OR 3 DOORS. PLEASE GIVE REFERENCE NUMBER FOR TRACKS AND COMPONENTS BAG WHEN ORDERING.



UPPER ROLLER



UPPER TRACK STOP

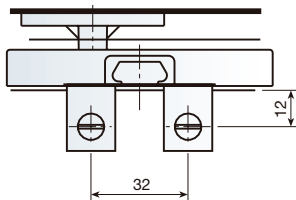


BOTTOM ROLLER

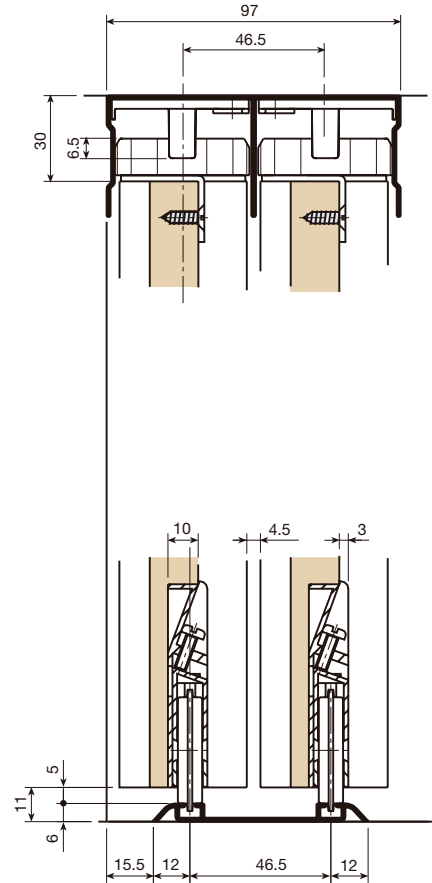
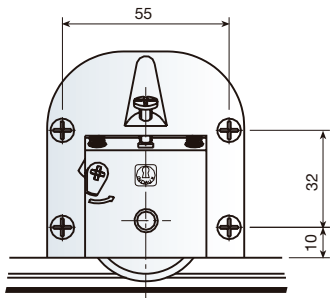
■ "JUNIOR-2E": Technical data

OFFERED AS A SYSTEM FOR THE CONSTRUCTION INDUSTRY, USING WALLS, FLOOR AND CEILING, BUT CAN ALSO BE MOUNTED IN CABINETS. UPPER GUIDES SLIDE ALONG THE UPPER TRACK. UPPER GUIDES SLIDE ALONG THE UPPER TRACK. THE LOWER ROLLER HAS STEEL BALL-BEARING MOUNTED WHEEL, AND ALLOWS 9MM ADJUSTMENT.

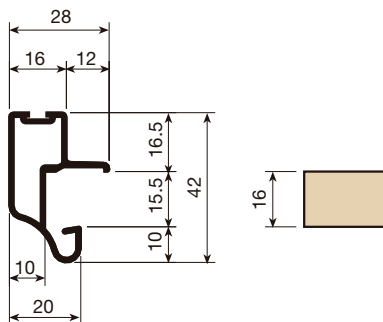
Upper view



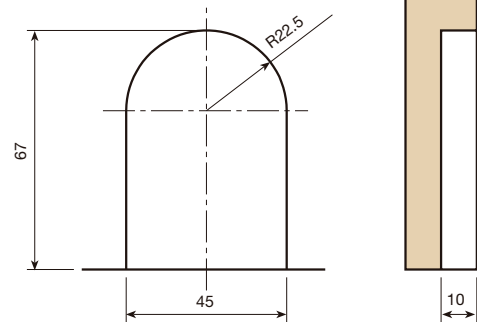
Lower view



Pulling profile 16 mm. panel



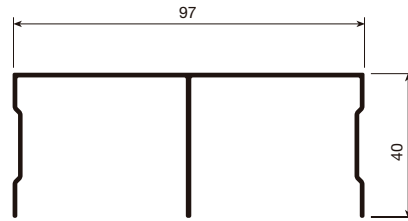
Fittings housing



■ "JUNIOR-2S"

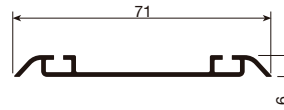
UPPER DOUBLE GUIDE TRACK.

	4,2M BARS		
SILVER-ANODIZED	711.900.103		10
BRASS-ANODIZED	711.900.781		
BLACK-ANODIZED	711.900.895		
GOLDEN-ANODIZED	711.900.770		
WHITE-LACQUERED	711.900.803		



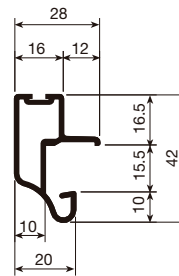
LOWER DOUBLE SUPPORTING TRACK.

	4,2M BARS		
SILVER-ANODIZED	711.800.106		10
BRASS-ANODIZED	711.800.784		
BLACK-ANODIZED	711.800.891		
GOLDEN-ANODIZED	711.800.773		
WHITE-LACQUERED	711.800.806		



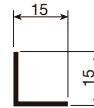
PULLING PROFILE (HANDLE).

	2,6M BARS	5,2M BARS	
SILVER-ANODIZED	711.716.106		10
BRASS-ANODIZED	711.716.784		
BLACK-ANODIZED	711.716.891		
GOLDEN-ANODIZED	711.716.773		
WHITE-LACQUERED	711.716.806		
BEECH COATED, NOT VARNISHED	712.916.864		
PINE VALSAIN COATED, NOT VARNISHED	712.916.875		
OAK COATED, NOT VARNISHED	712.916.901		
OAK COATED, VARNISHED	712.916.912		
SAPPELI COATED, VARNISHED	712.916.923		
SAPPELI COATED, NOT VARNISHED	712.916.934		
CHERRY COATED, NOT VARNISHED	712.916.945		



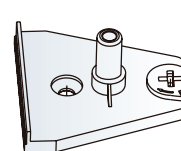
EDGE PROFILE.

LENGTH OF THE BARS	2M BARS		
SILVER-ANODIZED	711.500.101		20
BRASS-ANODIZED	711.500.786		
BLACK-ANODIZED	711.500.893		
GOLDEN-ANODIZED	711.500.775		
WHITE-LACQUERED	711.500.801		

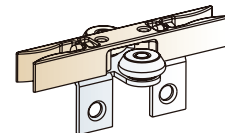


BAG OF COMPONENTS MOD. "JUNIOR 2-S".

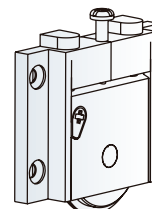
LOAD	2 DOORS	3 DOORS	
50Kp.	702.010.105	702.020.104	10



UPPER TRACK STOP



UPPER ROLLER

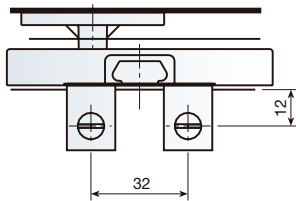


PROFILES MANUFACTURED IN ALUMINIUM. COMPLETE COMPONENTS FOR 2 OR 3 DOORS. PLEASE GIVE REFERENCE NUMBER FOR TRACKS, PROFILES AND COMPONENTS WHEN ORDERING.

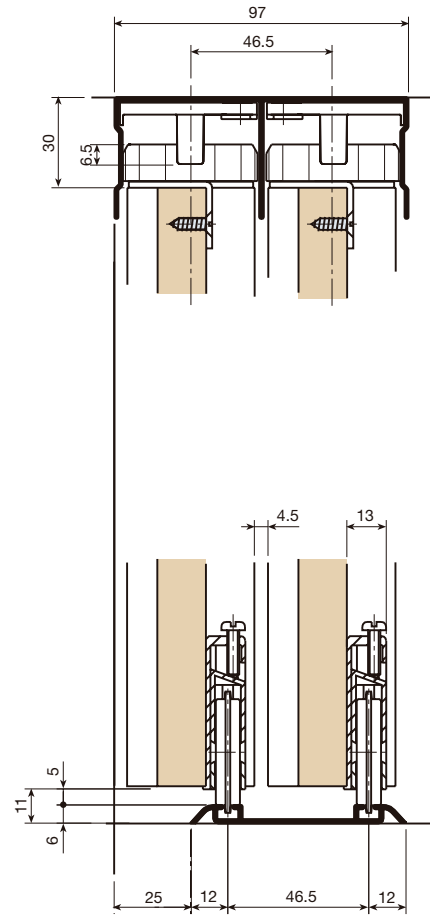
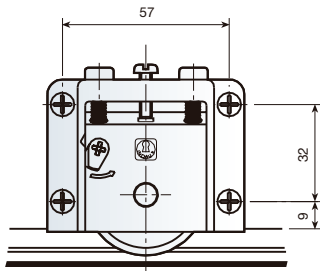
■ "JUNIOR-2S": *Technical data*

OFFERED AS A SYSTEM FOR THE CONSTRUCTION INDUSTRY, USING WALLS, FLOOR AND CEILING, BUT CAN ALSO BE MOUNTED IN CABINETS. UPPER GUIDES SLIDE ALONG THE UPPER TRACK. THE LOWER ROLLER HAS STEEL BALL-BEARING MOUNTED WHEEL, AND ALLOWS 9MM ADJUSTMENT.

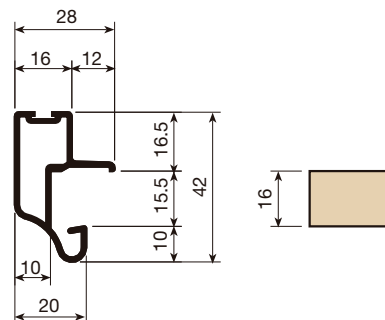
Upper view



Lower view



Pulling profile 16mm panel

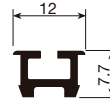


3 "JUNIOR-3"


"JUNIOR-3E"

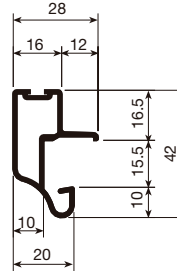
GUIDE TRACK.

	6M. BARS	
SILVER-ANODIZED	721.160.101	20
BRASS-ANODIZED	721.160.786	
BLACK-ANODIZED	721.160.893	
GOLDEN-ANODIZED	721.160.775	
WHITE-LACQUERED	721.160.801	




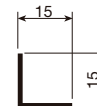
PULLING PROFILE.

	2.6M. BARS	5.2M. BARS	
SILVER-ANODIZED		711.716.106	10
BRASS-ANODIZED		711.716.784	
BLACK-ANODIZED		711.716.891	
GOLDEN-ANODIZED		711.716.773	
WHITE-LACQUERED		711.716.806	
BEECH COATED, NOT VARNISHED	712.916.864		
PINE VALSAIN COATED, NOT VARNISHED	712.916.875		
OAK COATED, NOT VARNISHED	712.916.901		
OAK COATED, VARNISHED	712.916.912		
SAPELI COATED, VARNISHED	712.916.923		
SAPELI COATED, NOT VARNISHED	712.916.934		
CHERRY COATED, NOT VARNISHED	712.916.945		




EDGE PROFILE.

	2M. BARS	
SILVER-ANODIZED	711.500.101	20
BRASS-ANODIZED	711.500.786	
BLACK-ANODIZED	711.500.893	
GOLDEN-ANODIZED	711.500.775	
WHITE-LACQUERED	711.500.801	



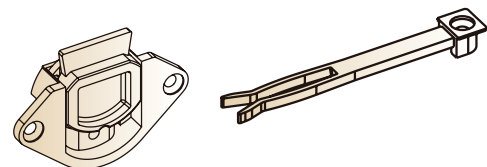
SET OF FITTINGS FOR 50KP.

LOAD	2 DOORS	3 DOORS	
50Kp.	701.800.105	701.900.102	10

THIS FITTING IS SUPPLIED COMPLETE FOR 2 OR 3-DOOR CUPBOARDS AND WARDROBES, WITH ALL THE PARTS IN ONE BAG. THE 2-DOOR BAG CONTAINS 4 UPPER GUIDE BRACKETS, 4 LOWER ROLLERS AND 4 STOPS. THE 3-DOOR BAG CONTAINS 6 UPPER GUIDE BRACKETS, 6 LOWER ROLLERS AND 4 STOPS.

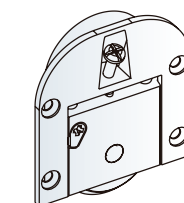
PROFILES AND TRACKS ARE MADE OF ALUMINIUM.

WHEN PLACING YOUR ORDER, PLEASE SPECIFY THE REFERENCE FOR THE UPPER AND LOWER TRACK PROFILES, PULLING PROFILE, END PROFILE AND THE BAG CONTAINING THE REST OF THE FITTINGS.



UPPER ROLLER

UPPER BRAKE STOP



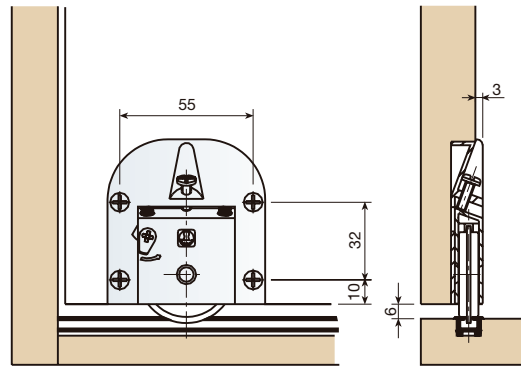
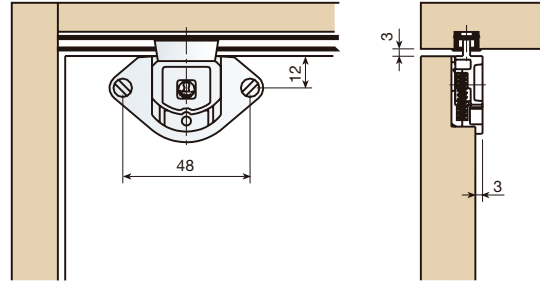
LOWER ROLLER



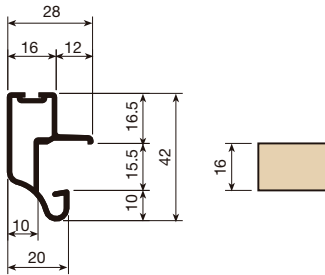
INTERMEDIATE STOP

■ "JUNIOR-3E": *Technical data*

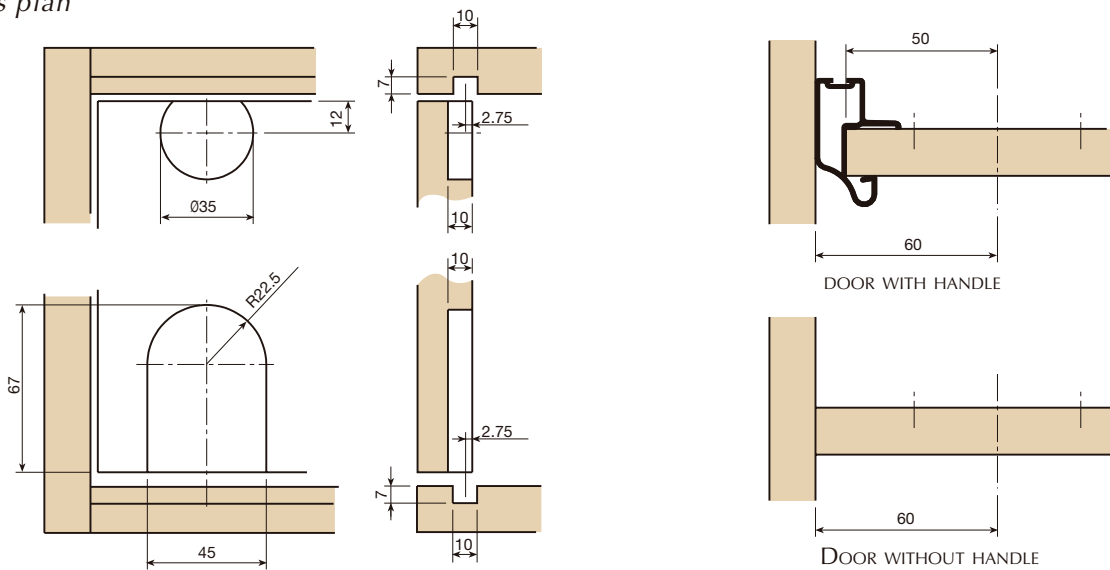
THIS SYSTEM IS DESIGNED FOR USE IN CONSTRUCTION, FOR CEILINGS AND FLOORS AND WALL TO WALL. IT CAN ALSO BE USED IN CUPBOARDS AND WARDROBES, DEPENDING ON THE DESIGN. BRACKETS ARE PLACED ON THE UPPER PART OF THE DOOR WITH GUIDE RAILS FOR THE UPPER ALUMINIUM TRACK PROFILE. THE LOWER PART HAS A HIGHLY ACCURATE ROLLING SYSTEM THAT CAN BE ADJUSTED UP TO 9 MM, WHICH HELPS TO COMPENSATE FOR UNEVEN FLOOR SURFACES AND FALSE BRACKETS.



Pulling profile for 16mm panel.




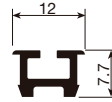
Fittings plan




■ "JUNIOR-3S"

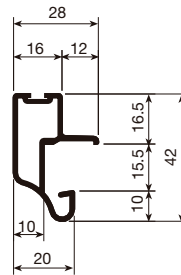
GUIDE TRACK.

	6M. BARS	
SILVER-ANODIZED	721.160.101	20
BRASS-ANODIZED	721.160.786	
BLACK-ANODIZED	721.160.893	
GOLDEN-ANODIZED	721.160.775	
WHITE-LACQUERED	721.160.801	



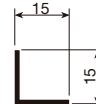
PULLING PROFILE.

	2.6M. BARS	5.2M. BARS	
SILVER-ANODIZED		711.716.106	10
BRASS-ANODIZED		711.716.784	
BLACK-ANODIZED		711.716.891	
GOLDEN-ANODIZED		711.716.773	
WHITE-LACQUERED		711.716.806	
BEECH COATED, NOT VARNISHED	712.916.864		
PINE VALSAIN COATED, NOT VARNISHED	712.916.875		
OAK COATED, NOT VARNISHED	712.916.901		
OAK COATED, VARNISHED	712.916.912		
SAPPELI COATED, VARNISHED	712.916.923		
SAPPELI COATED, NOT VARNISHED	712.916.934		
CHERRY COATED, NOT VARNISHED	712.916.945		




EDGE PROFILE.

	2M. BARS	
SILVER-ANODIZED	711.500.101	20
BRASS-ANODIZED	711.500.786	
BLACK-ANODIZED	711.500.893	
GOLDEN-ANODIZED	711.500.775	
WHITE-LACQUERED	711.500.801	



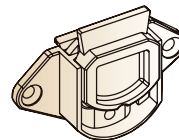
SET OF FITTINGS FOR 50Kp.

LOAD	2 DOORS	3 DOORS	
50Kp.	702.101.105	702.102.100	10

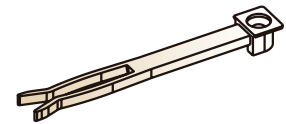
THIS FITTING IS SUPPLIED COMPLETE FOR 2 OR 3-DOOR CUPBOARDS AND WARDROBES, WITH ALL THE PARTS IN ONE BAG. THE 2-DOOR BAG CONTAINS 4 UPPER GUIDE BRACKETS, 4 LOWER ROLLERS AND 4 STOPS. THE 3-DOOR BAG CONTAINS 6 UPPER GUIDE BRACKETS, 6 LOWER ROLLERS AND 4 STOPS.

PROFILES AND TRACKS ARE MADE OF ALUMINIUM.

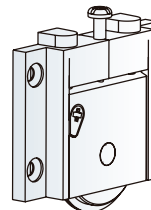
WHEN PLACING YOUR ORDER, PLEASE SPECIFY THE REFERENCE FOR THE UPPER AND LOWER TRACK PROFILES, PULLING PROFILE, END PROFILE AND THE BAG CONTAINING THE REST OF THE FITTINGS.



UPPER ROLLER



UPPER BRAKE STOP



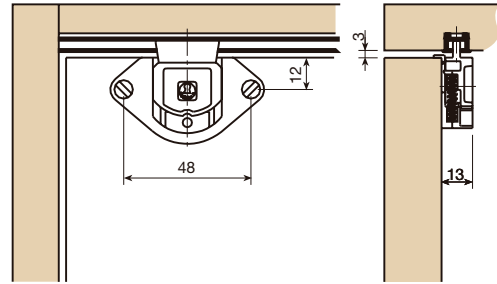
LOWER ROLLER



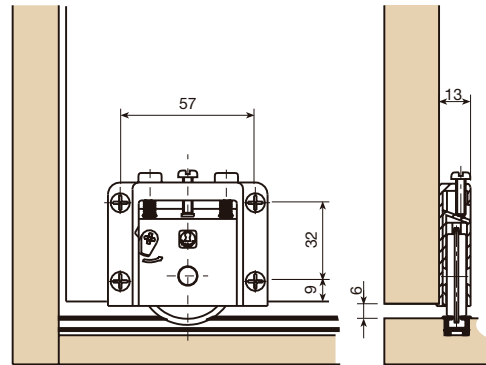
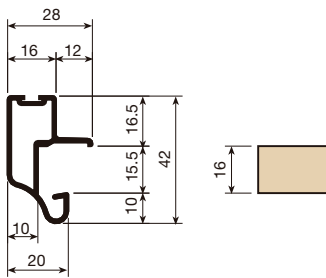
INTERMEDIATE STOP

■ "JUNIOR-3S": *Technical data*

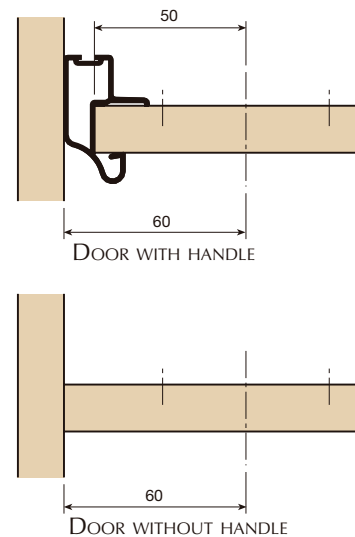
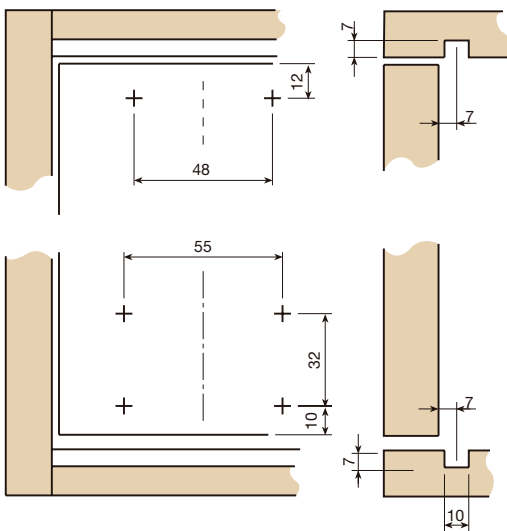
THIS SYSTEM IS DESIGNED FOR USE IN CONSTRUCTION, FOR CEILINGS AND FLOORS AND WALL TO WALL. IT CAN ALSO BE USED IN CUPBOARDS AND WARDROBES, DEPENDING ON THE DESIGN. BRACKETS ARE PLACED ON THE UPPER PART OF THE DOOR WITH GUIDE RAILS FOR THE UPPER ALUMINIUM TRACK PROFILE. THE LOWER PART HAS A HIGHLY ACCURATE ROLLING SYSTEM THAT CAN BE ADJUSTED UP TO 9 MM, WHICH HELPS TO COMPENSATE FOR UNEVEN FLOOR SURFACES AND FALSE BRACKETS.



Pulling profile for 16mm panel.



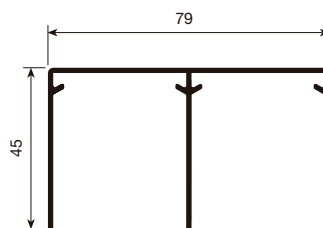
Fittings plan



4 "JUNIOR-5"

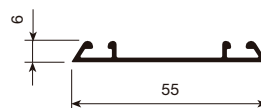
UPPER TRACK.

	6M. BARS	
SILVER-ANODIZED	713.200.106	10
BRASS-ANODIZED	713.200.784	
BLACK-ANODIZED	713.200.891	
GOLDEN-ANODIZED	713.200.773	
WHITE-LACQUERED	713.200.806	



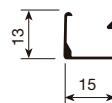
LOWER TRACK.

	6M. BARS	
SILVER-ANODIZED	713.100.102	10
BRASS-ANODIZED	713.100.780	
BLACK-ANODIZED	713.100.894	
GOLDEN-ANODIZED	713.100.776	
WHITE-LACQUERED	713.100.802	



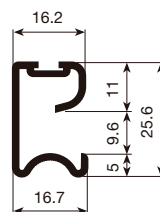
UPPER AND LOWER DOOR TRACK PROFILE.

	6M. BARS	
SILVER-ANODIZED	713.300.103	10
BRASS-ANODIZED	713.300.781	
BLACK-ANODIZED	713.300.895	
GOLDEN-ANODIZED	713.300.770	
WHITE-LACQUERED	713.300.803	



PULLING PROFILE.

	5.2M. BARS	
SILVER-ANODIZED	713.400.100	10
BRASS-ANODIZED	713.400.785	
BLACK-ANODIZED	713.400.892	
GOLDEN-ANODIZED	713.400.774	
WHITE-LACQUERED	713.400.800	



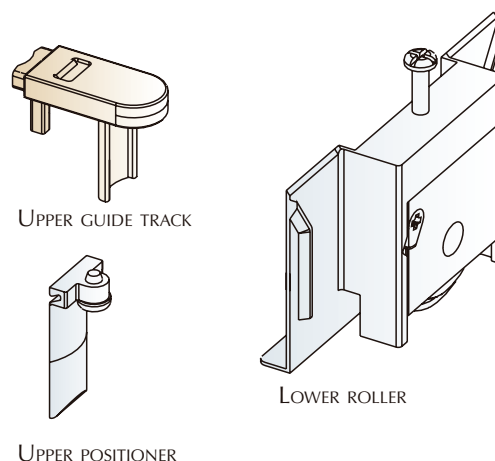
SET OF FITTINGS FOR 40Kp.

LOAD	2 DOORS	3 DOORS	
40Kp.	702.600.102	702.700.106	10

THIS FITTING IS SUPPLIED COMPLETE FOR 2 OR 3-DOOR CUPBOARDS AND WARDROBES, WITH ALL THE PARTS IN ONE BAG. THE 2-DOOR BAG CONTAINS 4 UPPER GUIDE TRACKS, 4 LOWER ROLLERS AND 2 UPPER POSITIONERS. THE 3-DOOR BAG CONTAINS 6 UPPER GUIDE TRACKS, 6 LOWER ROLLERS AND 3 LOWER POSITIONERS.

PROFILES AND TRACKS ARE MADE OF ALUMINIUM.

WHEN PLACING YOUR ORDER, PLEASE SPECIFY THE REFERENCE FOR THE UPPER AND LOWER TRACK PROFILES, PULLING PROFILE, END PROFILE AND THE BAG CONTAINING THE REST OF THE FITTINGS.

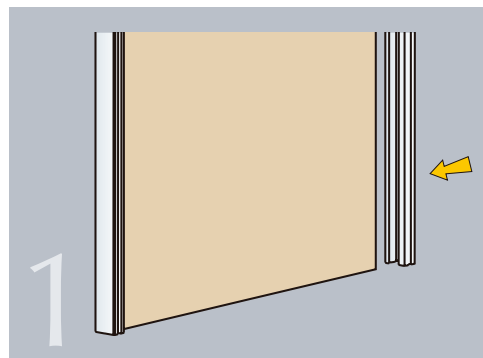
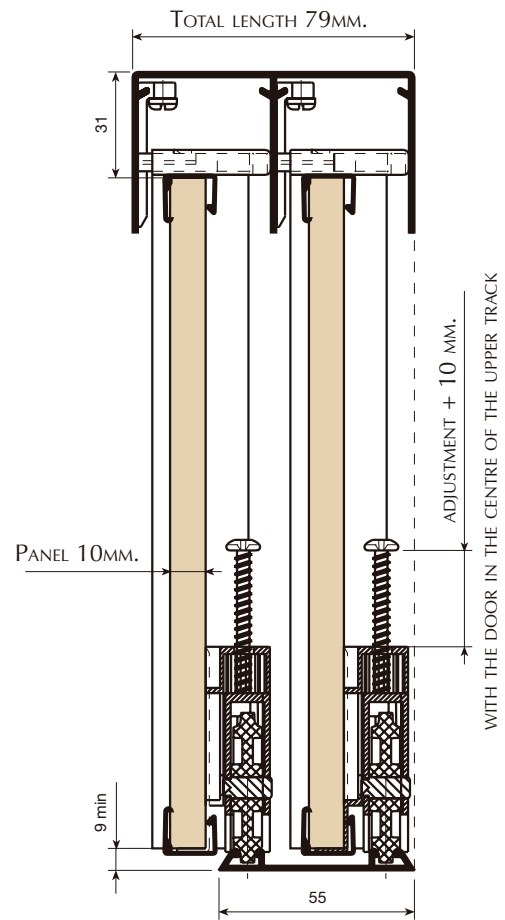
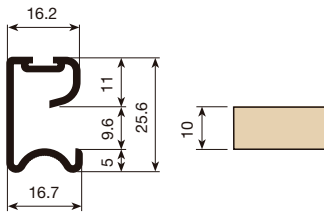


TECHNICAL DATA

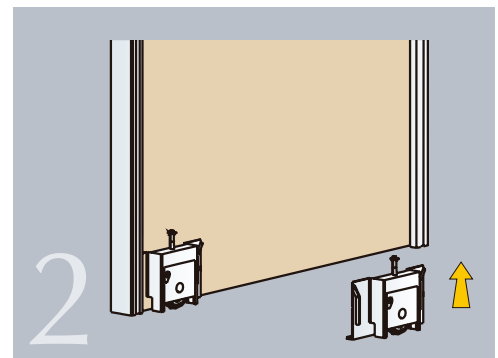
THE MAIN FEATURES OF THIS SYSTEM ARE:

- NEEDS NO SCREWS FOR ASSEMBLY.
- NO NEED TO DRILL HOLES FOR THE FITTINGS.
- VERY SIMPLE ASSEMBLY, HANDLES, EDGE PROFILES, ROLLERS AND TRACKS ARE ASSEMBLED JUST BY PRESSING.
- THE DOOR RETENTION SYSTEM IS TOTALLY ADJUSTABLE AND CAN BE POSITIONED IN ANY POINT ALONG THE TRACK.

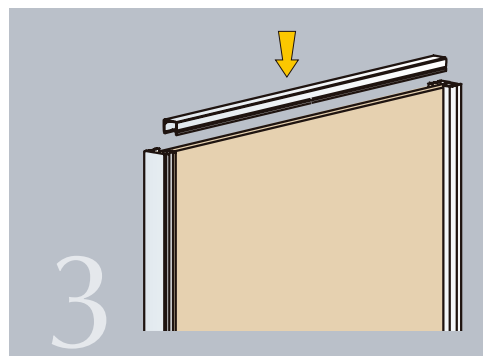
Pulling profile for 10mm panel



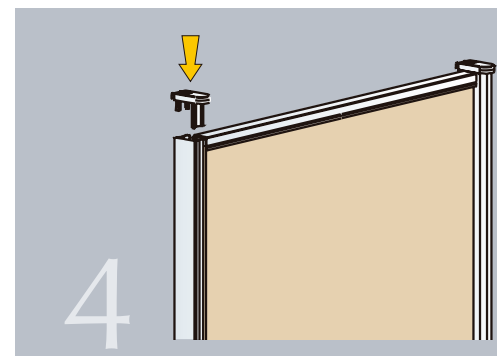
1 PLACE THE PULLING PROFILE
NOTE DOOR HEIGHT= SPACE - 40MM.



2 INSERT THE LOWER ROLLERS.



3 INSERT THE UPPER AND LOWER TRACK PROFILES.
NOTE: LENGTH OF THE UPPER AND LOWER TRACK PROFILES= DOOR WIDTH - 30MM.



4 INSERT THE UPPER GUIDES.