

# Fittings for vertical doors

FITTINGS FOR VERTICAL SLIDING DOORS: FOR 600 AND 700MM HANGING UNITS.  
FOR 1250MM TO 2000MM VERTICAL UNITS.

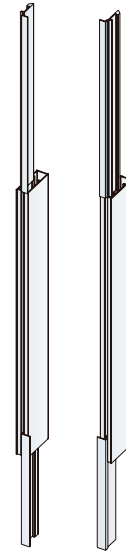
	<i>pp.</i>
<b>1</b> "SALISCENDI 2/2" .....	644
<hr/>	
<b>2</b> "SALISCENDI 2/3" .....	646
<hr/>	
<b>3</b> "SALISCENDI 40" .....	648

# 1 "SALISCENDI 2/2"

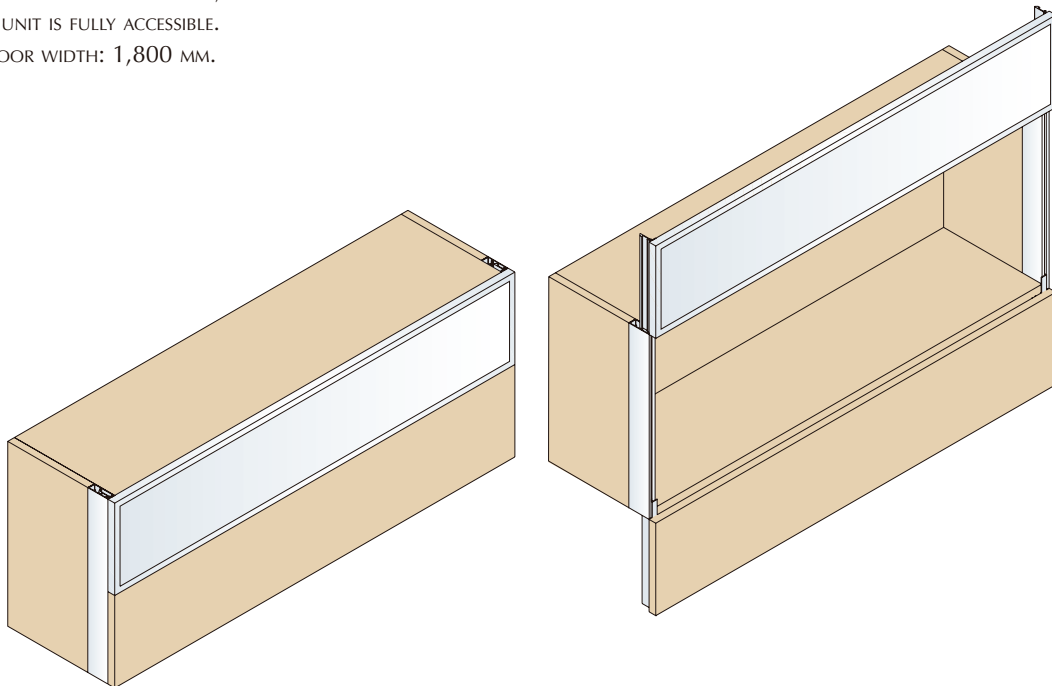
VERTICAL OPENING SYSTEM. SYNCHRONISED OPENING.

HEIGHT OF UNIT		
600	705.860.105	1
700	705.870.104	

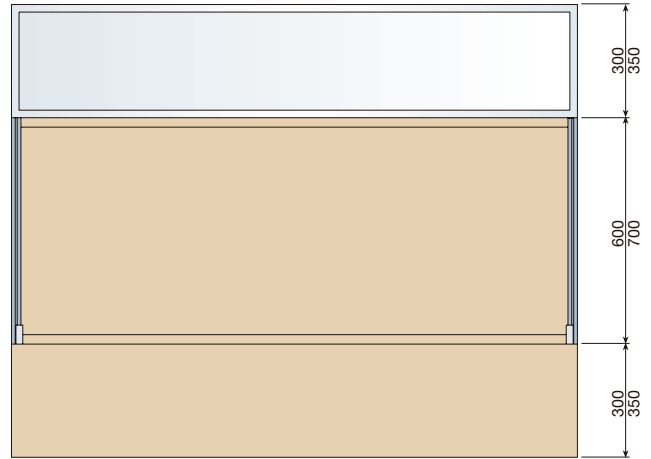
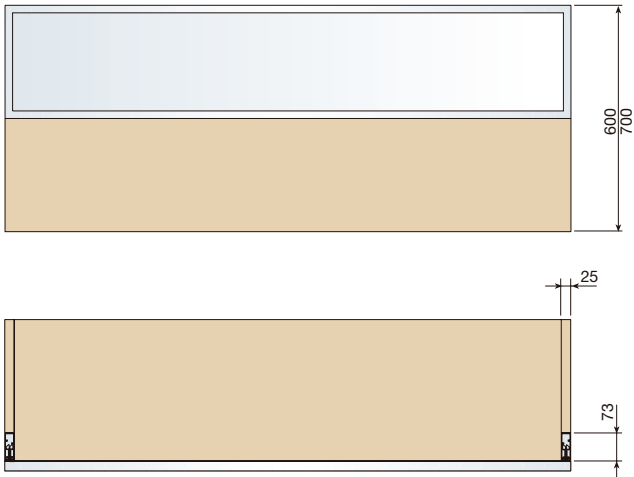
IT CONTAINS ALL THE NECESSARY FITTINGS FOR ONE SET OF DOORS.



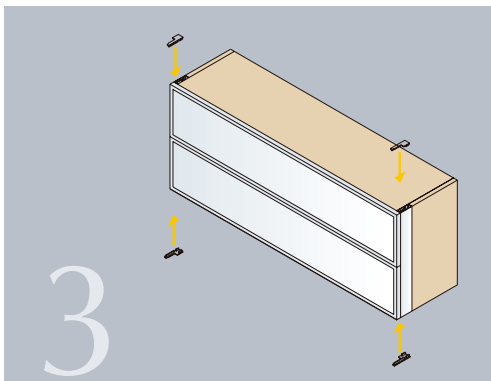
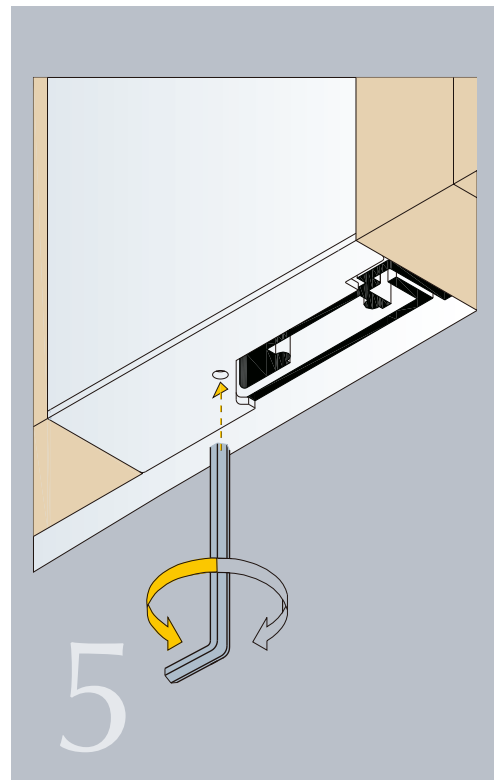
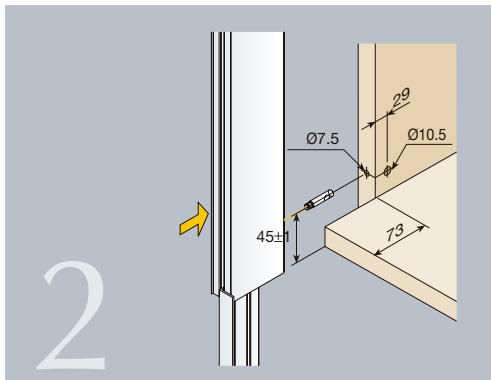
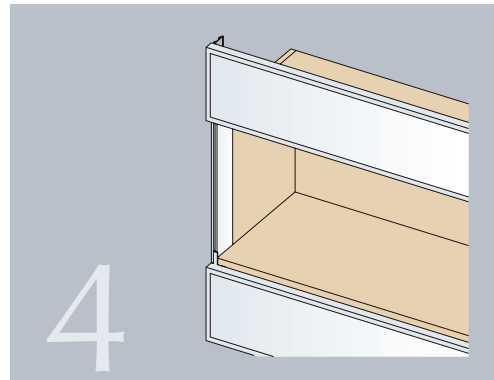
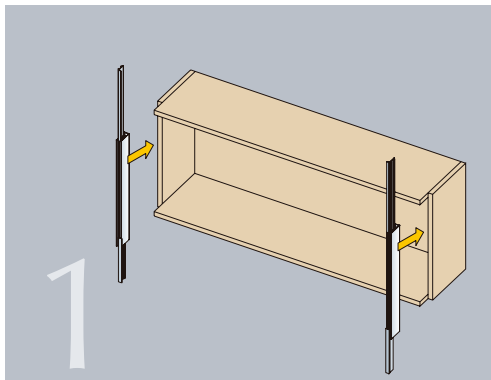
SYNCHRONISED VERTICAL OPENING SYSTEM FOR 600 AND 700 MM-HIGH UNITS. THE HEIGHT OF THE DOORS IS HALF THE HEIGHT OF THE UNIT. WHEN OPEN, THE ENTIRE INSIDE AREA OF THE UNIT IS FULLY ACCESSIBLE.  
MAXIMUM DOOR WIDTH: 1,800 MM.



■ TECHNICAL DATA




Assembly

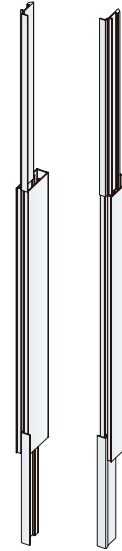


## 2 "SALISCENDI 2/3"

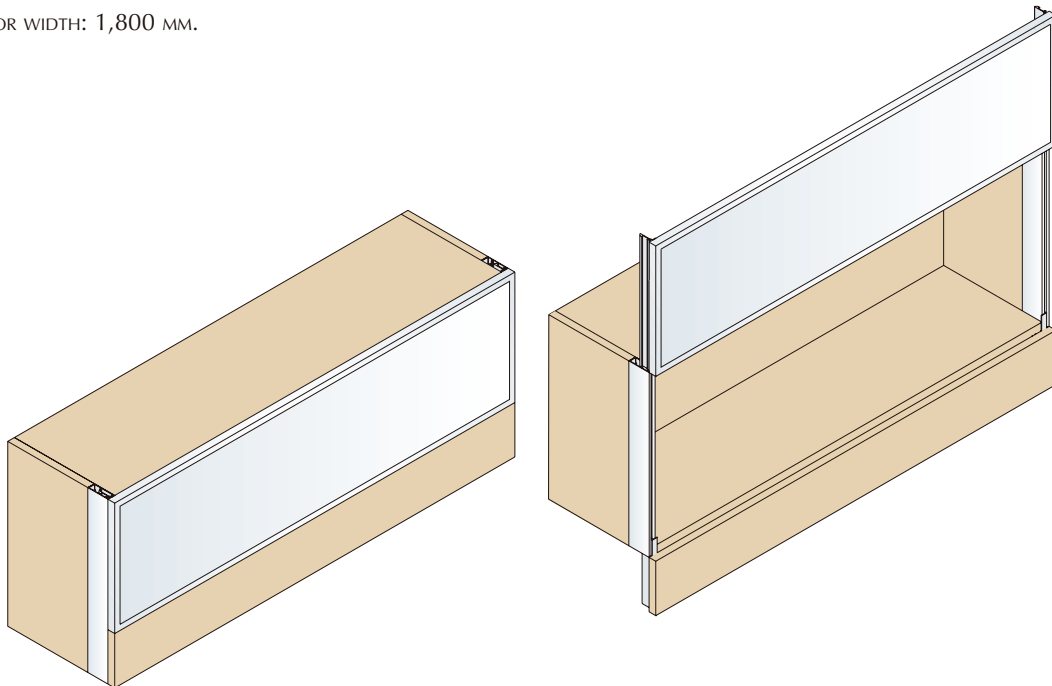
VERTICAL OPENING SYSTEM. SYNCHRONISED OPENING.

HEIGHT OF UNIT		
600	709.860.104	1
700	709.870.103	

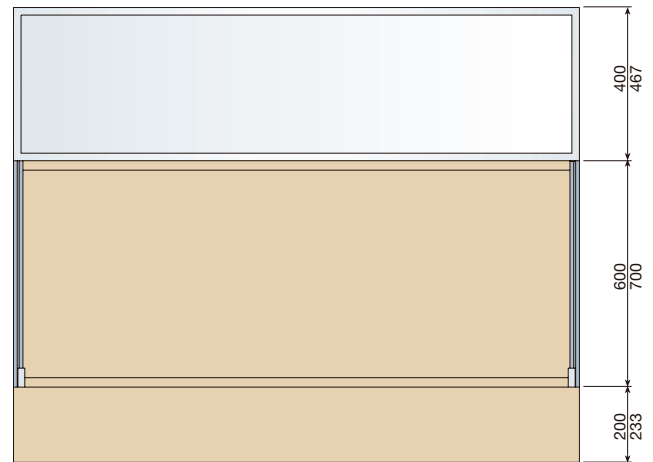
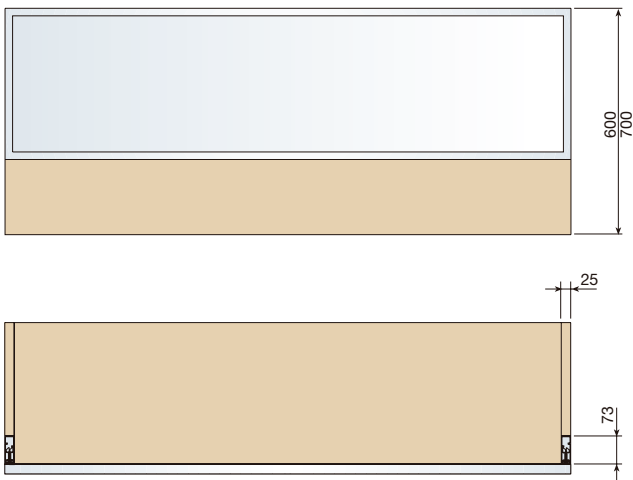
IT CONTAINS ALL THE NECESSARY FITTINGS FOR ONE SET OF DOORS.



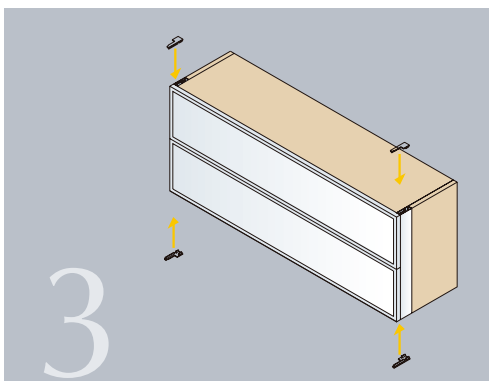
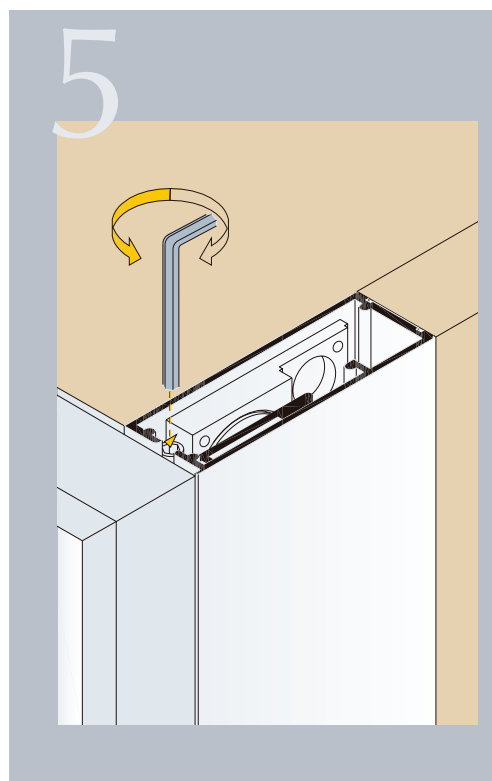
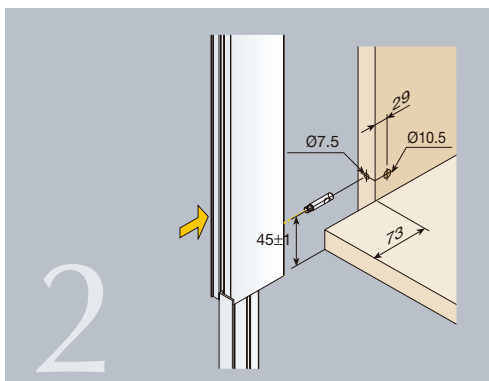
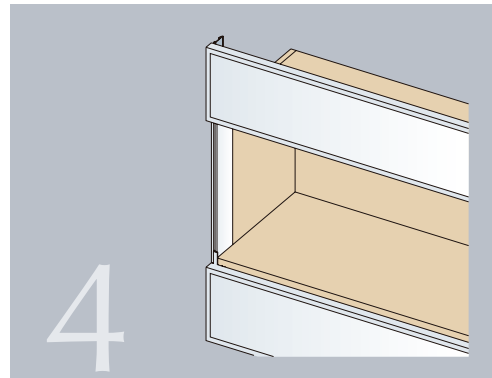
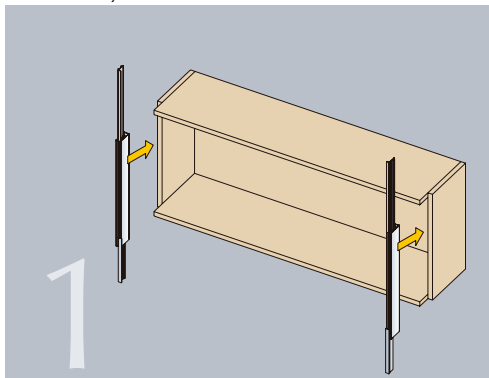
SYNCHRONISED VERTICAL OPENING SYSTEM FOR 600 AND 700 MM-HIGH UNITS. WHEN OPEN, THE ENTIRE INSIDE AREA OF THE UNIT IS FULLY ACCESSIBLE.  
MAXIMUM DOOR WIDTH: 1,800 MM.



TECHNICAL DATA



Assembly



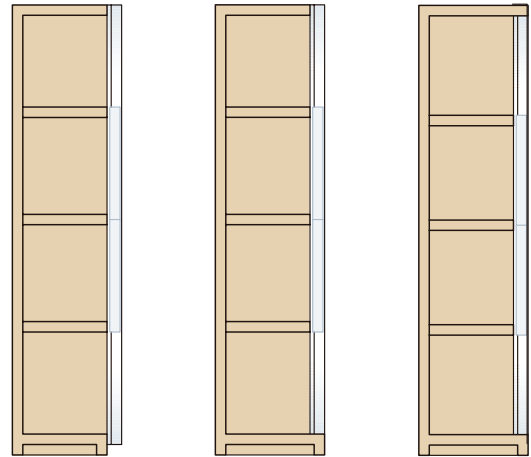
### 3 "SALISCENDI 40"

SYNCHRONISED VERTICAL SLIDING DOOR SYSTEMS. THE RECOMMENDED DOOR SIZE IS A QUARTER OF THE TOTAL HEIGHT OF THE FITTING. MINIMUM DOOR HEIGHT: 350MM.

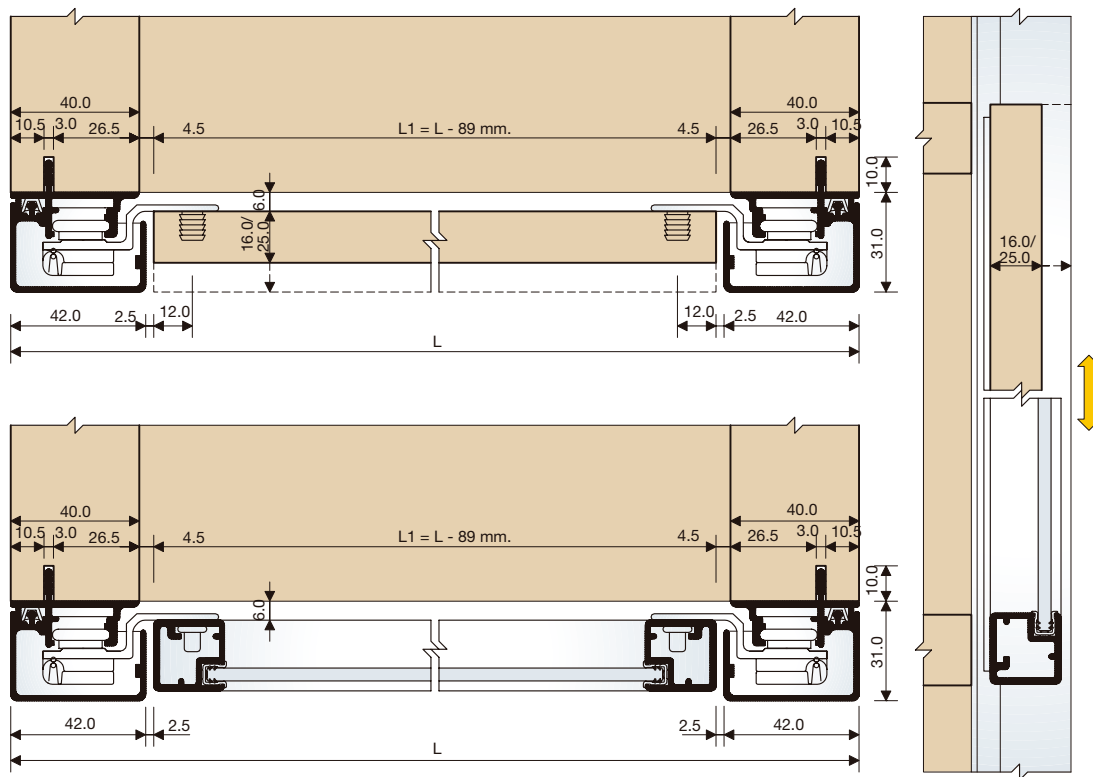
SYSTÈME DE PORTES COULISSANTES VERTICALES SYNCHRONISÉES.



SUR MESURE. CONTIENT TONTES LES FERRURES NÉCESSAIRES POUR UN JEU DE PORTES.



#### TECHNICAL DATA



■ TECHNICAL DATA

*Assembly*

