



NO NEED FOR TOOLS, INDAUX'S "TRASER-6" CABINET HANGER OFFERS MAXIMUM SIMPLICITY, ADJUSTMENT AND ROBUSTNESS.

"TRASER-6"

CONCEALED HANGERS "TRASER"



"TRASER-6"

CONCEALED HANGERS "TRASER"

HIGH STRENGTH:

THE MAXIMUM LOAD PER HANGER IS 65 KG IN ACCORDANCE WITH DIN 68840 (TESTED TO HOLD 260 KG. PER SET).

EASY TO FIT:

IT IS FIXED TO THE SIDE OF THE CABINET, INDEPENDENTLY OF THE TOP COVER.

HIGHLY ADJUSTABLE:

SIDE ADJUSTMENT WITH STEEL GUIDE UP TO 16 MM. HEIGHT ADJUSTMENT UP TO 18 MM WITH PHILLIPS® No. 2, Ø6 OR POZIDRIV® No.2, Ø6 SCREWDRIVERS. DEPTH ADJUSTMENT UP TO 25 MM.

ECOLOGICAL:

THIS HANGER IS ENTIRELY MADE OF METAL AND CAN BE RECYCLED WITHOUT ANY PROBLEMS.

	<i>pp.</i>
1 "TRASER-6"	333
■ RAPID FITTING	333
■ KNOCK-IN FITTING	334
■ SCREW FITTING	335
■ SHORT KNOCK-IN FITTING	336
■ ACCESSORIES	337



1 "TRASER-6"

"TRASER-6": RAPID FITTING



WE PRESENT THE FASTEST, MOST CONVENIENT AND SAFEST FITTING SYSTEM ON THE MARKET. YOU WON'T NEED ANY TOOLS TO FIT OR REMOVE YOUR HANGERS. IT WON'T EVEN TAKE YOU ANY TIME. FITTING TRASER 6 IS CHILD'S PLAY. TRY IT, YOU'LL BE SURPRISED.

MAXIMUM PROBLEM-FREE ADJUSTMENT AND PRECISION.

WHY NOT RESPECT THE BEAUTY OF YOUR FURNITURE TO THE MAXIMUM? THAT'S WHAT WE DO. WE HAVE REDUCED THE NUMBER OF HOLES TO BE DRILLED IN YOUR CABINET BACKS LIKE NO-ONE ELSE. A SMALL Ø18 MM HOLE PROVIDES ACCESS TO ALL ADJUSTMENTS. BUT WE GIVE YOU EVEN MORE. IF YOU DON'T WANT TO DRILL YOUR CABINET BACKS, YOU CAN STILL FULLY ADJUST YOUR HANGER. WE ARE UNIQUE IN THIS AS WELL. OUR ADJUSTMENT SCREWS NEVER PENETRATE THE BACK OF THE FURNITURE.

MAXIMUM SAFETY.


IN ADDITION TO SPEED, CONVENIENCE AND APPEARANCE, WE ALSO WANT YOU TO KNOW HOW SAFE OUR SYSTEM IS. OUR R&D DEPARTMENT HAS DEVELOPED A PRODUCT WHICH CAN TAKE A NOMINAL LOAD OF 65 KG PER HANGER. MONTHS OF EFFORT AND IMAGINATION AND HUNDREDS OF TESTS HAVE ENABLED US TO CERTIFY COMPLIANCE WITH THE DIN 68840 STANDARD (TESTED TO HOLD UP TO 260 KG. PER SET), IN A MODULE WITH A HEIGHT OF 700 MM. AND A DEPTH OF 350 MM. PLEASE CHECK FOR SMALLER SIZES.

MAXIMUM SIMPLICITY.

BY USING THE FIXING LEVER YOU WILL DISCOVER THE MEANING OF CONVENIENCE. NO OTHER SYSTEM CAN GIVE YOU THIS. BY JUST TURNING THE LEVER 180°, YOU WILL PERCEIVE THE SENSATION OF SAFETY WHICH OUR HANGER'S ANCHORING SYSTEM PROVIDES.

References

"TRASER-6" CABINET HANGER, RAPID FITTING

		
LEFT	624.200.032	100
RIGHT	624.300.036	

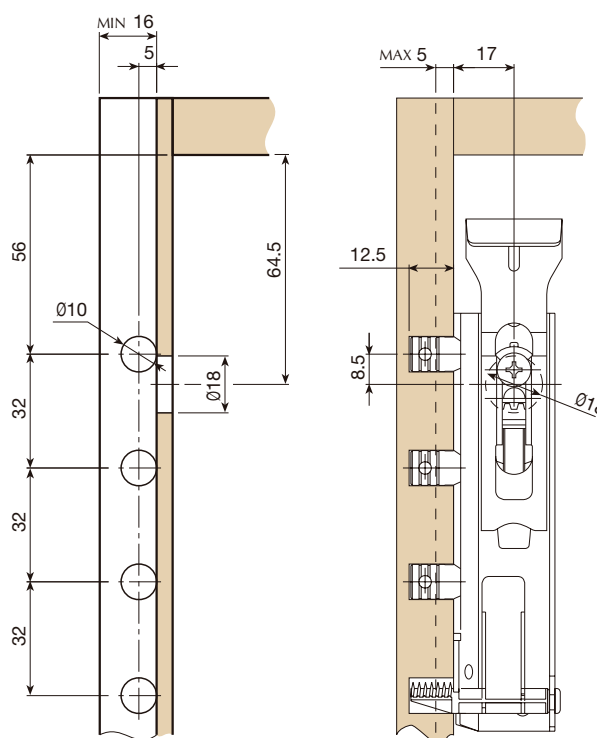
THE MAXIMUM LOAD PER HANGER IS 65 KG. ACCORDING TO DIN 68840 (TESTED TO HOLD 260 KG. PER SET).



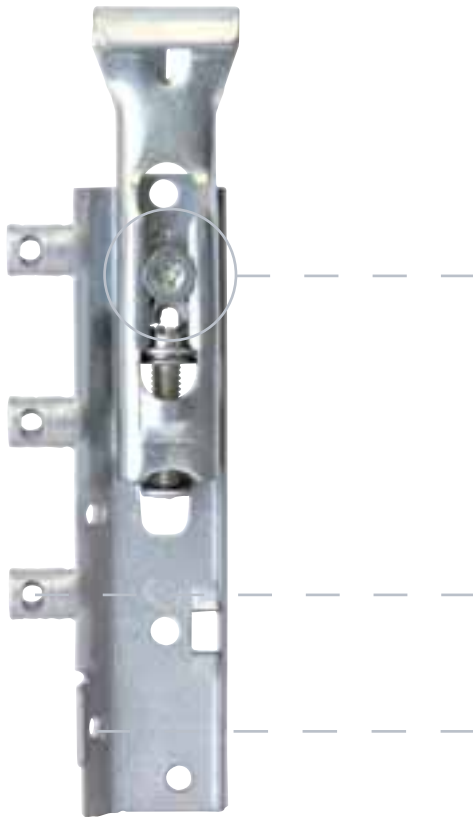
DEPTH ADJUSTMENT.
UP TO 25 MM BOTH AT THE FRONT AND BACK, IN THIS CASE, WITHOUT ANY NEED TO DRILL THE BACK OF THE FURNITURE.



HEIGHT ADJUSTMENT.
UP TO 18 MM WITH A PHILLIPS® No.2, Ø6 SCREWDRIVER OR A POZIDRIV® No.2, Ø6. BOTH ADJUSTMENTS THROUGH THE SAME 18 MM DIAMETER HOLE.



■ "TRASER-6": KNOCK-IN FITTING.



MAXIMUM PROBLEM-FREE ADJUSTMENT AND PRECISION.

WHY NOT RESPECT THE BEAUTY OF YOUR FURNITURE TO THE MAXIMUM? THAT'S WHAT WE DO. WE HAVE REDUCED THE NUMBER OF HOLES TO BE DRILLED IN YOUR CABINET BACKS LIKE NO-ONE ELSE. A SMALL Ø18 MM HOLE PROVIDES ACCESS TO ALL ADJUSTMENTS. BUT WE GIVE YOU EVEN MORE. IF YOU DON'T WANT TO DRILL YOUR CABINET BACK, YOU CAN STILL FULLY ADJUST YOUR HANGER. WE ARE UNIQUE IN THIS AS WELL. OUR ADJUSTMENT SCREWS NEVER PENETRATE THE BACK OF THE FURNITURE.

MAXIMUM SAFETY.

IN ADDITION TO APPEARANCE, WE ALSO WANT YOU TO KNOW HOW SAFE OUR SYSTEM IS. WE HAVE WORKED TO ACHIEVE A NOMINAL LOAD CAPACITY OF 65 KG PER HANGER. MONTHS OF EFFORT AND IMAGINATION AND HUNDREDS OF TESTS HAVE ENABLED US TO CERTIFY COMPLIANCE WITH THE DIN 68840 STANDARD (TESTED TO HOLD UP TO 260 KG. PER SET), IN A MODULE WITH A HEIGHT OF 700 MM. AND A DEPTH OF 350 MM. PLEASE CHECK FOR SMALLER SIZES. THE DOWELS HAVE AN ADDITIONAL FEATURE. THEY HAVE FIXING HOLES FOR ADDITIONAL SCREWING. THEY ONLY NEED TO BE USED WHEN APPLYING EXTREMELY HIGH LOADS.

MAXIMUM SIMPLICITY.

FIXING IS DONE ON THE SIDE OF THE CABINET. YOU JUST HAVE TO SCREW ONE 3.5 X 20 SCREW INTO THE FIXING HOLE.

"TRASER-6" CABINET HANGER, KNOCK-IN FITTING

LEFT	624.000.031	100
RIGHT	624.100.035	

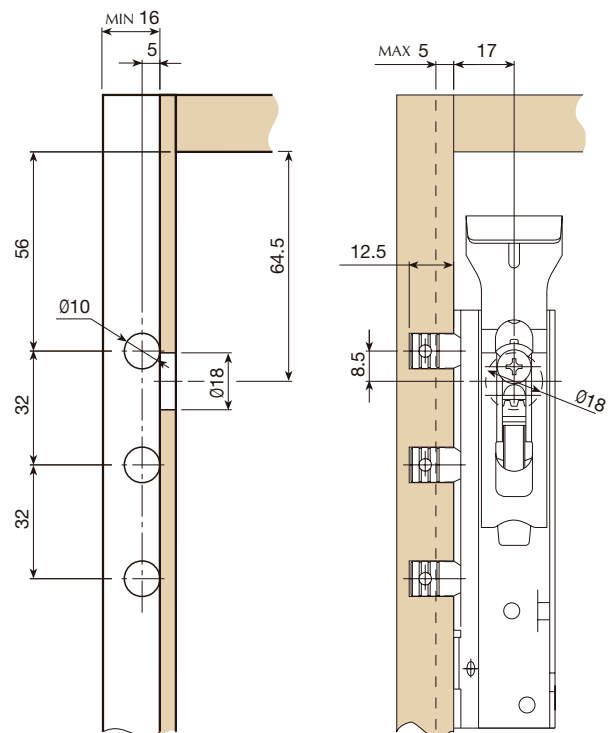
THE MAXIMUM LOAD PER HANGER IS 65 KG. ACCORDING TO DIN 68840 (TESTED TO HOLD 260 KG. PER SET).



DEPTH ADJUSTMENT.
UP TO 25 MM BOTH AT THE FRONT AND BACK, IN THIS CASE, WITHOUT ANY NEED TO DRILL THE BACK OF THE FURNITURE.



HEIGHT ADJUSTMENT.
UP TO 18 MM WITH A PHILLIPS® No.2, Ø6 SCREWDRIVER OR A POZIDRIV® No.2, Ø6. BOTH ADJUSTMENTS THROUGH THE SAME 18 MM DIAMETER HOLE.



■ "TRASER-6": SCREW FITTING



FOR THOSE WHO PREFER THE TRADITIONAL FIXING SYSTEM, WE PRESENT THE SCREW FITTING SYSTEM. THE HANGER CAN BE FITTED ON BOTH SIDES, LEFT OR RIGHT.

MAXIMUM PROBLEM-FREE ADJUSTMENT AND PRECISION.

WHY NOT RESPECT THE BEAUTY OF YOUR FURNITURE TO THE MAXIMUM? THAT'S WHAT WE DO. WE HAVE REDUCED THE NUMBER OF HOLES TO BE DRILLED IN YOUR CABINET BACKS LIKE NO-ONE ELSE. A SMALL Ø18 MM HOLE PROVIDES ACCESS TO ALL ADJUSTMENTS. BUT WE GIVE YOU EVEN MORE. IF YOU DON'T WANT TO DRILL YOUR CABINET BACK, YOU CAN STILL FULLY ADJUST YOUR HANGER. WE ARE UNIQUE IN THIS AS WELL. OUR ADJUSTMENT SCREWS NEVER PENETRATE THE BACK OF THE FURNITURE.

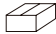
MAXIMUM SAFETY.

IN ADDITION TO APPEARANCE, WE ALSO WANT YOU TO KNOW HOW SAFE OUR SYSTEM IS. WE HAVE WORKED TO ACHIEVE A NOMINAL LOAD CAPACITY OF 65 KG PER HANGER. MONTHS OF EFFORT AND IMAGINATION AND HUNDREDS OF TESTS HAVE ENABLED US TO CERTIFY COMPLIANCE WITH THE DIN 68840 STANDARD (TESTED TO HOLD UP TO 260 KG. PER SET), IN A MODULE WITH A HEIGHT OF 700 MM. AND A DEPTH OF 350 MM. PLEASE CHECK FOR SMALLER SIZES.

MAXIMUM SIMPLICITY.

FIXING IS DONE ON THE SIDE OF THE CABINET. YOU JUST HAVE TO SCREW THREE 3.5 x 20 SCREW INTO THE FIXING HOLE.

"TRASER-6" CABINET HANGER, SCREW FITTING

	
624.400.033	100

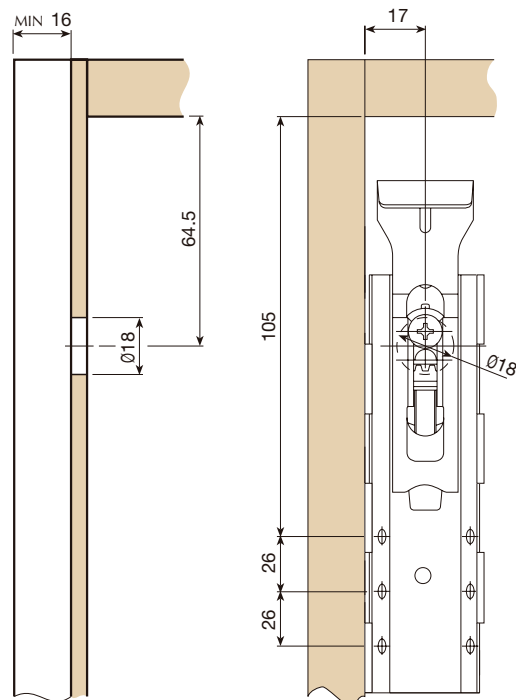
THE MAXIMUM LOAD PER HANGER IS 65 KG. ACCORDING TO DIN 68840 (TESTED TO HOLD 260 KG. PER SET).



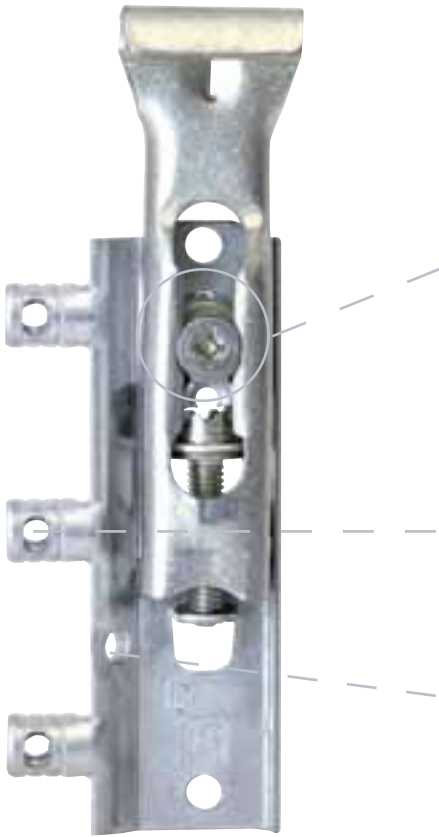
DEPTH ADJUSTMENT.
UP TO 25 MM BOTH AT THE FRONT AND BACK, IN THIS CASE, WITHOUT ANY NEED TO DRILL THE BACK OF THE FURNITURE.



HEIGHT ADJUSTMENT.
UP TO 18 MM WITH A PHILLIPS® No.2, Ø6 SCREWDRIVER OR A POZIDRIV® No.2, Ø6. BOTH ADJUSTMENTS THROUGH THE SAME 18 MM DIAMETER HOLE.



■ "TRASER-6": SHORT KNOCK-IN FITTING



MAXIMUM PROBLEM-FREE ADJUSTMENT AND PRECISION.

WHY NOT RESPECT THE BEAUTY OF YOUR FURNITURE TO THE MAXIMUM? THAT'S WHAT WE DO. WE HAVE REDUCED THE NUMBER OF HOLES TO BE DRILLED IN YOUR CABINET BACKS LIKE NO-ONE ELSE. A SMALL Ø18 MM HOLE PROVIDES ACCESS TO ALL ADJUSTMENTS. BUT WE GIVE YOU EVEN MORE. IF YOU DON'T WANT TO DRILL YOUR CABINET BACK, YOU CAN STILL FULLY ADJUST YOUR HANGER. WE ARE UNIQUE IN THIS AS WELL. OUR ADJUSTMENT SCREWS NEVER PENETRATE THE BACK OF THE FURNITURE.


MAXIMUM SAFETY.

IN ADDITION TO APPEARANCE, WE ALSO WANT YOU TO KNOW HOW SAFE OUR SYSTEM IS. WE HAVE WORKED TO ACHIEVE A NOMINAL LOAD CAPACITY OF 65 KG PER HANGER. MONTHS OF EFFORT AND IMAGINATION AND HUNDREDS OF TESTS HAVE ENABLED US TO CERTIFY COMPLIANCE WITH THE DIN 68840 STANDARD (TESTED TO HOLD UP TO 260 KG. PER SET), IN A MODULE WITH A HEIGHT OF 700 MM. AND A DEPTH OF 350 MM. PLEASE CHECK FOR SMALLER SIZES. THE DOWELS HAVE AN ADDITIONAL FEATURE. THEY HAVE FIXING HOLES FOR ADDITIONAL SCREWING. THEY ONLY NEED TO BE USED WHEN APPLYING EXTREMELY HIGH LOADS.

MAXIMUM SIMPLICITY.

FIXING IS DONE ON THE SIDE OF THE CABINET. YOU JUST HAVE TO SCREW ONE 3.5 x 20 SCREW INTO THE FIXING HOLE.

"TRASER-6" CABINET HANGER, KNOCK-IN FITTING

	LEFT	RIGHT	
ZINC-PLATED	624.500.030	624.600.034	100

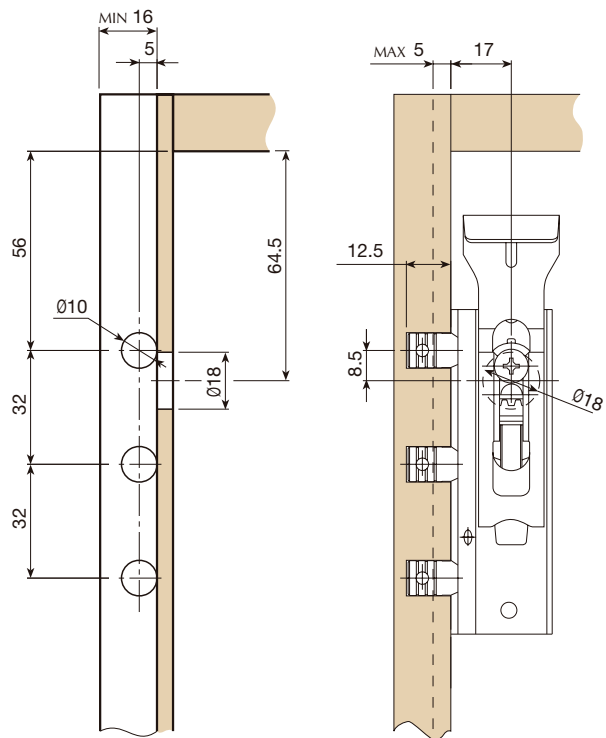
THE MAXIMUM LOAD PER HANGER IS 65 KG. ACCORDING TO DIN 68840 (NET LOAD 260KG.).



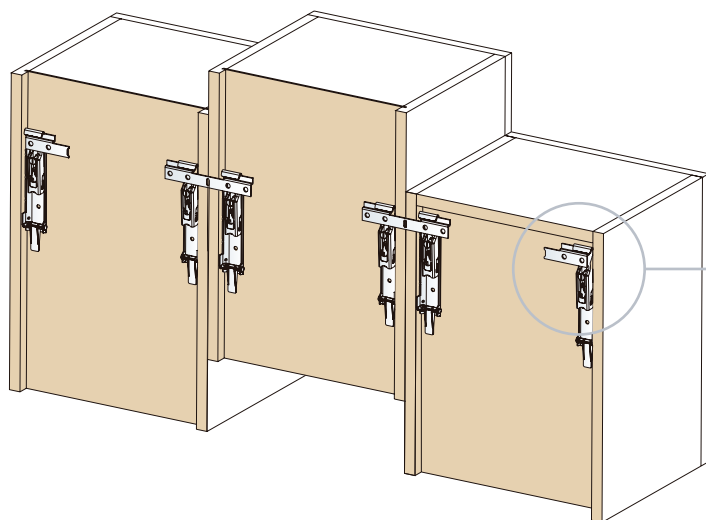
DEPTH ADJUSTMENT.
UP TO 25 MM BOTH AT THE FRONT AND BACK, IN THIS CASE, WITHOUT ANY NEED TO DRILL THE BACK OF THE FURNITURE.



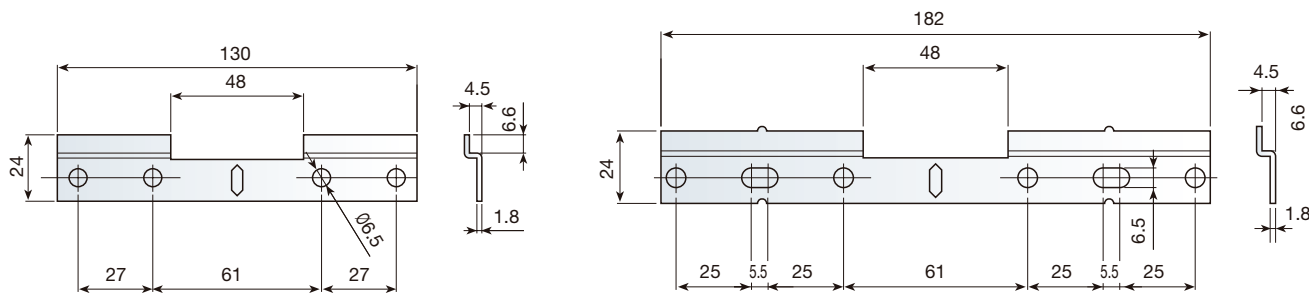
HEIGHT ADJUSTMENT.
UP TO 18 MM WITH A PHILLIPS® No.2, Ø6 SCREWDRIVER OR A POZIDRIV® No.2, Ø6. BOTH ADJUSTMENTS THROUGH THE SAME 18 MM DIAMETER HOLE.



■ "TRASER-6": ACCESSORIES



DOUBLE WALL MOUNTING PLATE.
THIS MOUNTING PLATE CAN BE SPLIT INTO TWO, TO BE FITTED ON THE END UNITS AS A SINGLE MOUNTING PLATE.

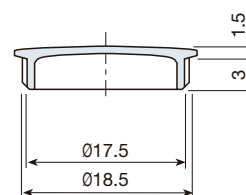


DOUBLE WALL MOUNTING PLATE

LENGTH (MM.)			
130	621.900.031	200	
182	621.901.033		

Ø18 MM. COVER

WHITE	RAL 9001	961.618.000	1.000
NICKEL		961.618.066	



BAG OF ACCESSORIES.

LENGTH OF WALL MOUNTING PLATE (MM.)			
130	630.800.100	200	
182	630.801.102		

EACH BAG CONTAINS 1 WALL MOUNTING PLATE, 4 PLASTIC Ø6X30 PLUGS AND 4 Ø4.5X35 SCREWS.

