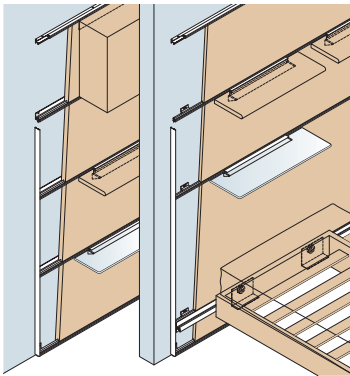


Panelling systems

HORIZONTAL AND VERTICAL PANELLING SYSTEMS:
FOR DIFFERENT PANEL THICKNESSES.

	<i>pp.</i>
1 HORIZONTAL: "RASTY"	692
■ LOWER PROFILE	692
■ INTERMEDIATE PROFILE - WALL-FIX	693
■ INTERMEDIATE PROFILE – ASSEMBLY WITH BASE	694
■ INTERMEDIATE PROFILE – KNOCK-IN	695
■ UPPER PROFILE	695
■ SIDE CLOSING PROFILE.....	696
■ INDEPENDENT PROFILE	697
■ TECHNICAL DATA	698
<hr/>	
2 VERTICAL: "FORTE"	699
■ FOR 19 MM FLOATING PANEL	699
■ FOR 19 MM WALL-FIXED PANEL	700
■ FOR DIFFERENT PANEL THICKNESSES	701
<hr/>	
3 HORIZONTAL/VERTICAL: "HEAVY"	702
■ 25.5 MM.....	704
■ 34.5 MM.....	705
<hr/>	
3 HORIZONTAL/VERTICAL: "THIN WALL"	708
<hr/>	
4 HORIZONTAL ACCESSORIES	710
■ WOODEN SHELF SUPPORT	710
■ GLASS SHELF SUPPORT	712
■ ACCESSORIES	713
<hr/>	
5 VERTICAL ACCESSORIES	717
■ WOODEN SHELF SUPPORT	717
■ GLASS SHELF SUPPORT	720
■ ACCESSORIES	720



1 HORIZONTAL PANELLING SYSTEMS: "RASY"

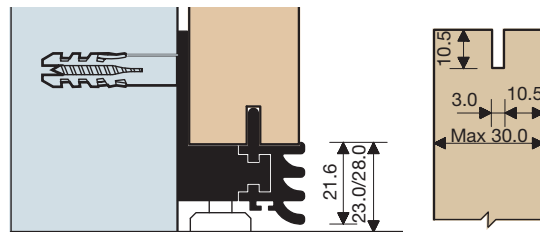
FOR PANEL THICKNESSES UP TO 30MM.
3 FIXING SYSTEMS:
WALL-FIX, WITH BASE OR KNOCK-IN.

■ LOWER PROFILE

LOWER PROFILE FOR ASSEMBLY WITH BASE.

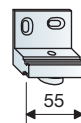
ANODIZED	153.230.512	10
----------	-------------	----

3M BARS. TO ASSEMBLE WITH BASE 154.000.103.

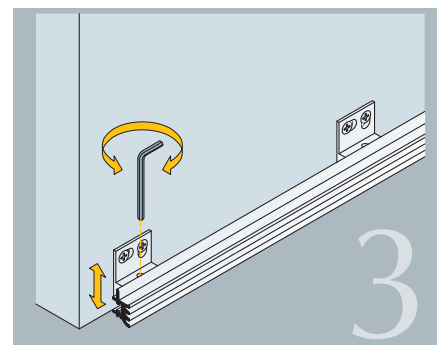
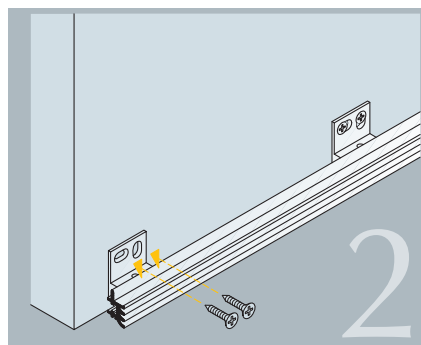
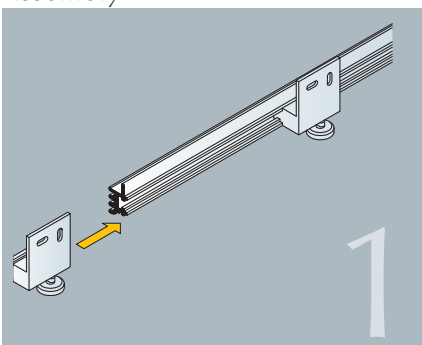


BASE FOR LOWER PROFILE.

	154.000.103	10
--	-------------	----



Assembly

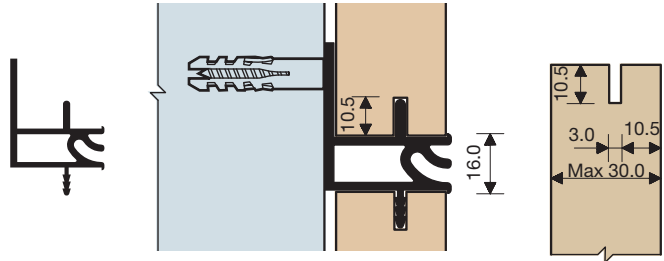


■ INTERMEDIATE PROFILE – WALL-FIX

INTERMEDIATE PROFILE FOR WALL-FIX.

ANODIZED	153.430.513	8
----------	-------------	---

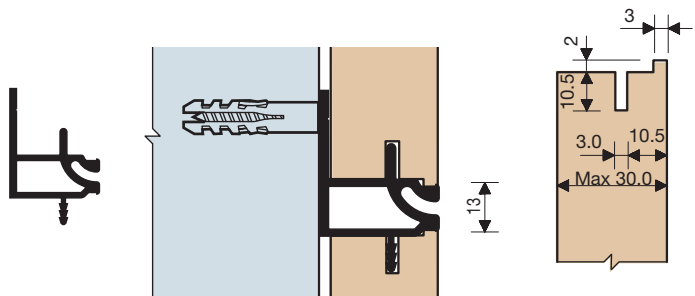
3M BARS.



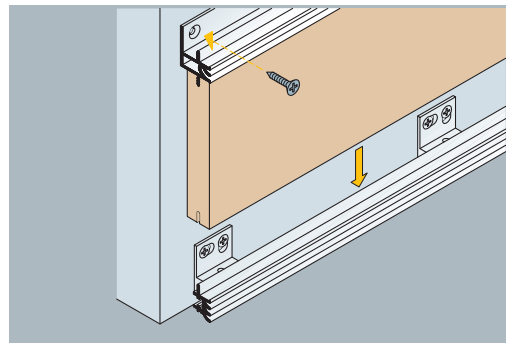
PLAIN INTERMEDIATE PROFILE FOR WALL-FIXING.

ANODIZED	153.530.510	4
----------	-------------	---

6M BARS.



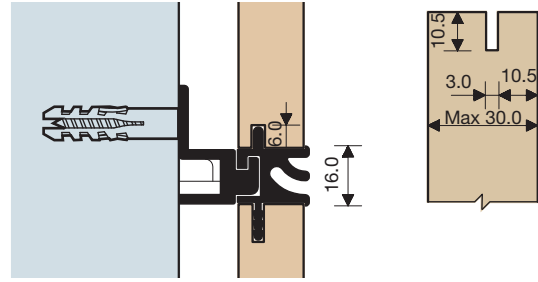
Assembly



■ INTERMEDIATE PROFILE FOR ASSEMBLY WITH BASE

INTERMEDIATE PROFILE FOR ASSEMBLY WITH BASE.

ANODIZED	153.730.511	10
3M BARS.		

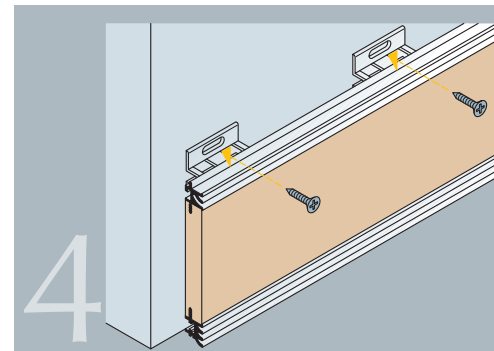
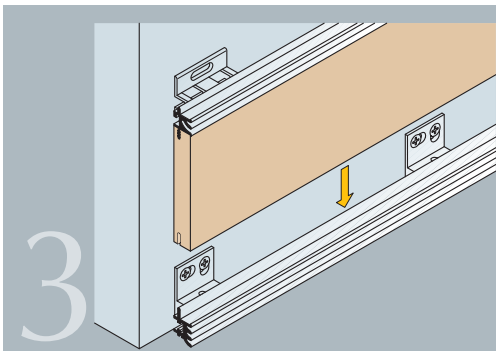
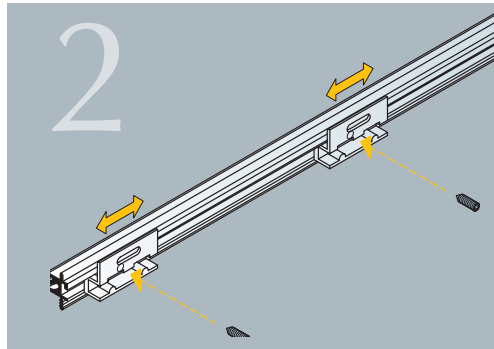
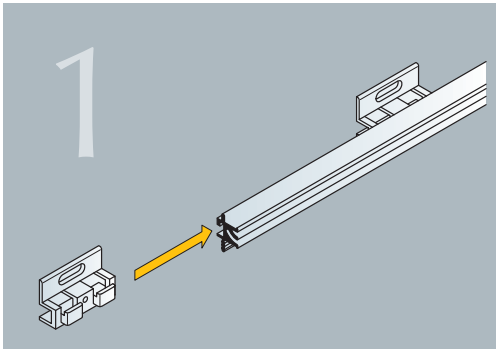


BASE FOR LOWER PROFILE.

	154.000.103	10
--	-------------	----




Assembly

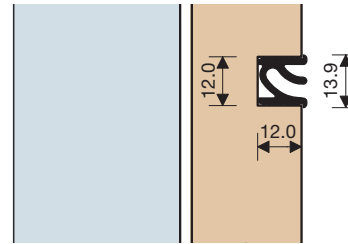


■ INTERMEDIATE PROFILE – KNOCK-IN

INTERMEDIATE PROFILE FOR KNOCK-IN.

ANODIZED	153.630.514	20	
----------	-------------	----	---

3M BARS.

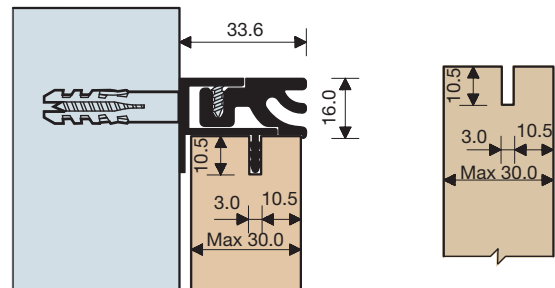


■ UPPER PROFILE

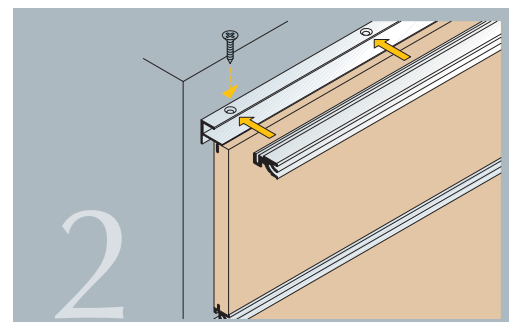
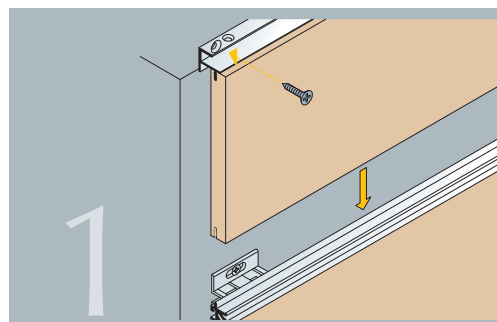
UPPER PROFILE.

ANODIZED	153.030.511	5	
----------	-------------	---	---

3M BARS.



Assembly



■ SIDE CLOSING PROFILE

SIDE CLOSING PROFILE.

		
ANODIZED	153.930.512	20

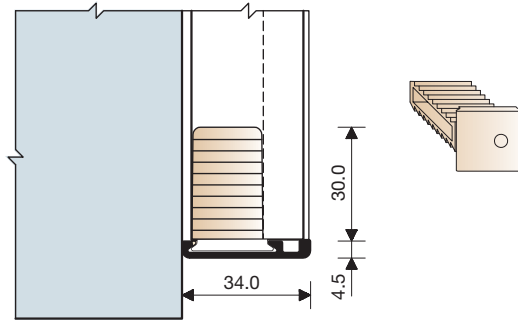
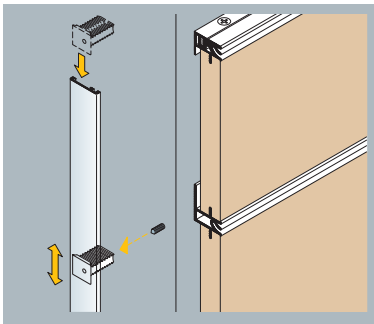
3M BARS.



JOINING SEAL FOR SIDE PROFILE.

		
GREY	157.000.314	20

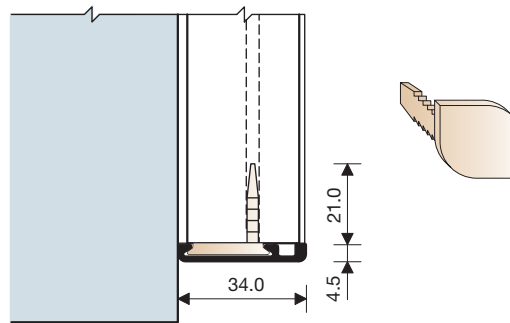
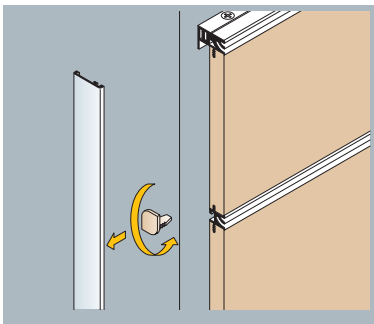
FOR USE WITH WALL-FIX INTERMEDIATE PROFILES, REFS. 153.430.513 AND 153.530.510.



JOINING SEAL FOR SIDE PROFILE.

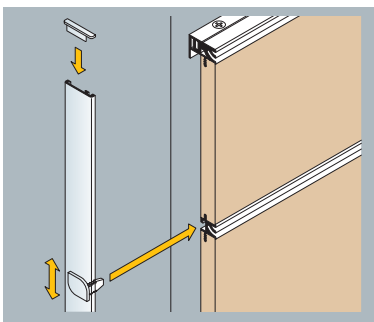
		
GREY	157.000.311	20

FOR USE WITH INTERMEDIATE PROFILES - ASSEMBLY WITH BASE, REF. 153.730.511.



SIDE PROFILE EDGE COVER.

		
GREY	157.600.310	20



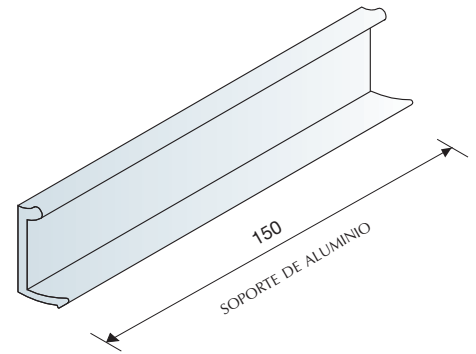
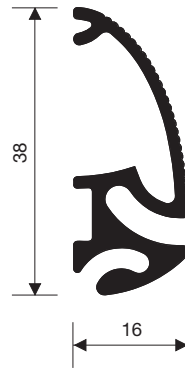
INDEPENDENT PROFILE

HORIZONTALLY HELD INDEPENDENT PROFILE FOR WALLS. CAN BE SET UP FOR KITCHENS OR OFFICES.
ALL ACCESSORIES IN THE HORIZONTAL PANELLING SYSTEM MAY BE USED.

INDEPENDENT PROFILE.

	3M BARS.	
ANODIZED SILK	158.430.510	10

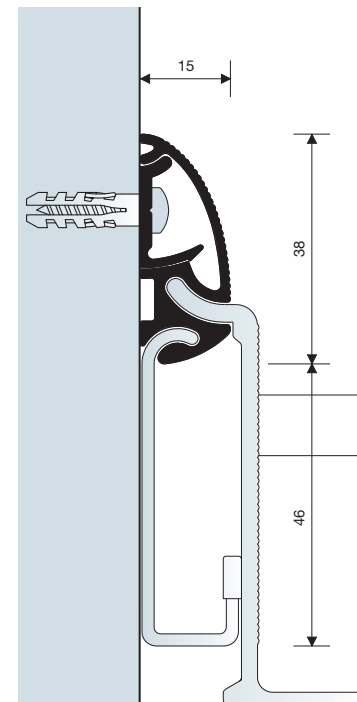
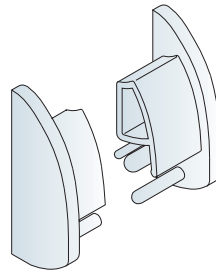
EACH BAR SUPPLIED WITH 4 ALUMINIUM SUPPORTS TO FIX THE PROFILE.



PROFILE END COVER.

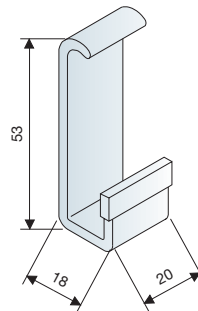
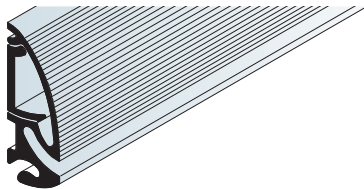
		
BLACK	157.800.020	20

EACH REFERENCE CONSISTS OF A SET OF COVERS.

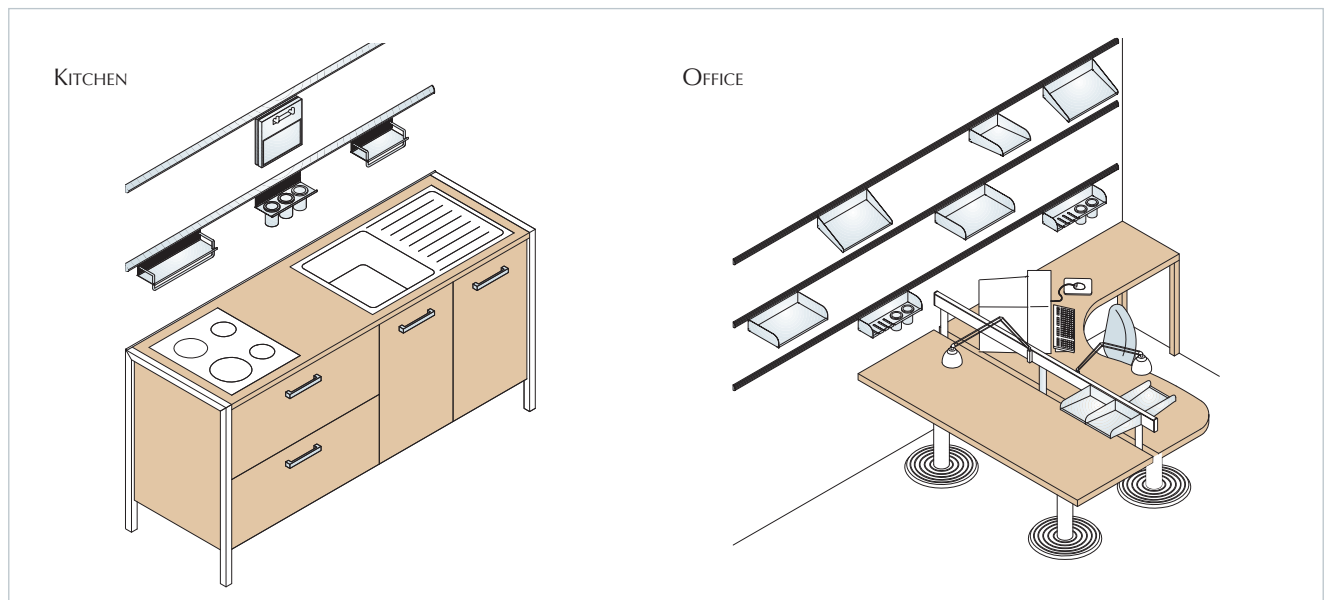


ACCESSORIES DIVIDER.

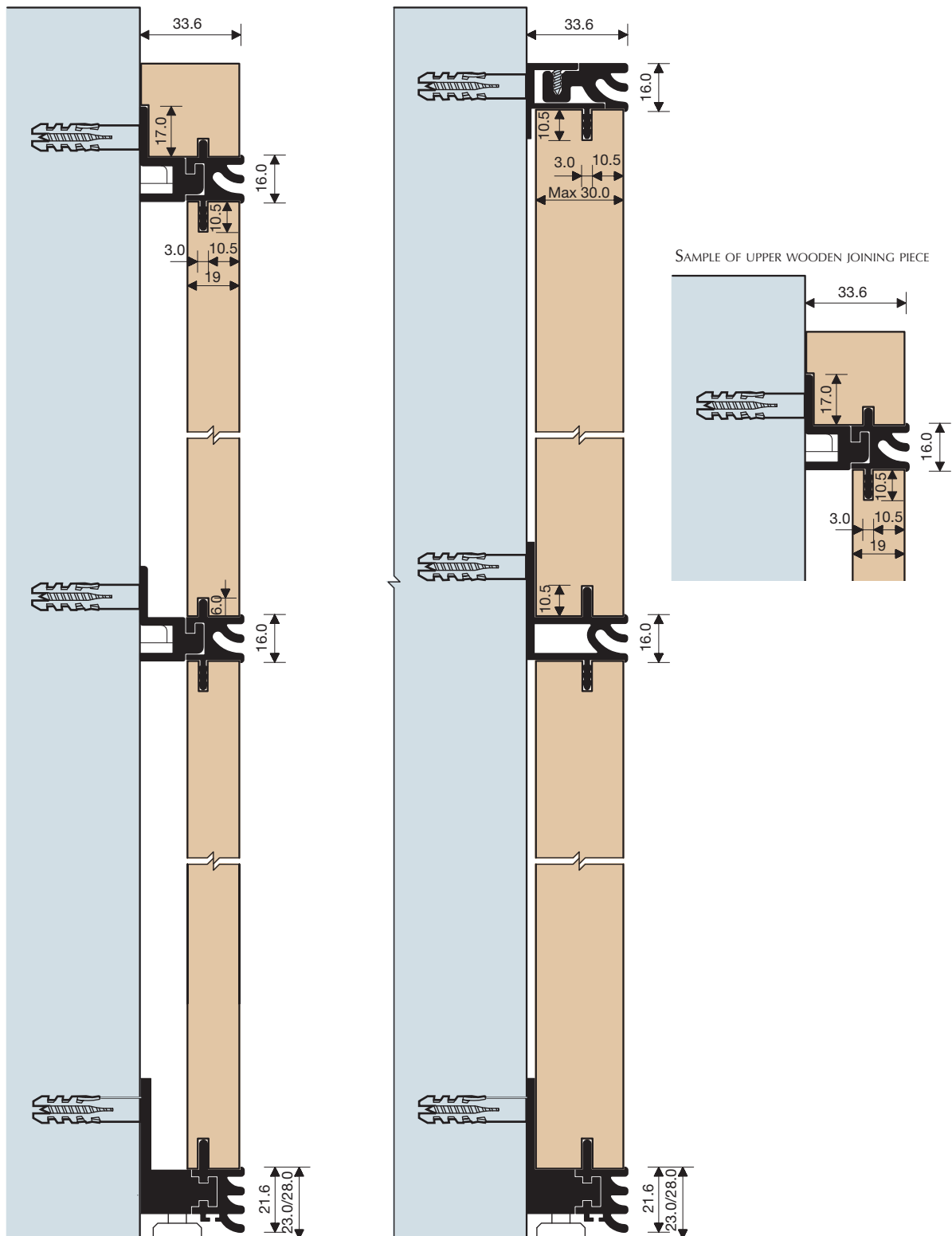
		
NATURAL ALUMINIUM	158.300.100	20

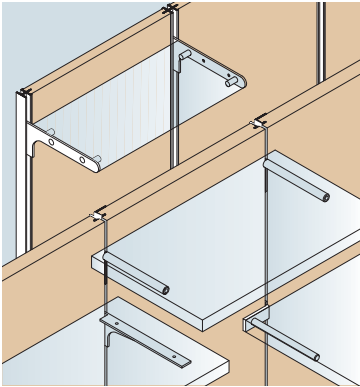


Sample set-ups



■ TECHNICAL DATA





2 VERTICAL PANELLING SYSTEMS: "FORTE"

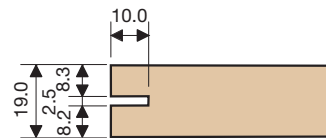
FOR 19 MM FLOATING PANEL.
FOR 19 MM PANEL.
FOR 18 TO 22 MM PANEL.
FOR 16 TO 18 MM PANEL.
FOR ANY THICKNESS.
SCREWED TO THE WALL.

■ FOR 19MM FLOATING PANEL

SIDE RACK. FOR 19 MM PANEL.

ANODIZED	159.030.513		10
----------	-------------	---	----

3M BARS.



INTERMEDIATE RACK. FOR 19 MM PANEL.

ANODIZED	159.130.510		10
----------	-------------	---	----

3M BARS.



■ FOR 19MM PANEL. WALL-FIXED

SIDE RACK. FOR 19 MM PANEL.

ANODIZED	159.230.514	10
----------	-------------	----

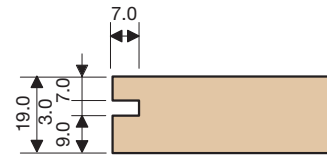
3M BARS.



INTERMEDIATE RACK. FOR 19MM PANEL.

ANODIZED	159.330.511	10
----------	-------------	----

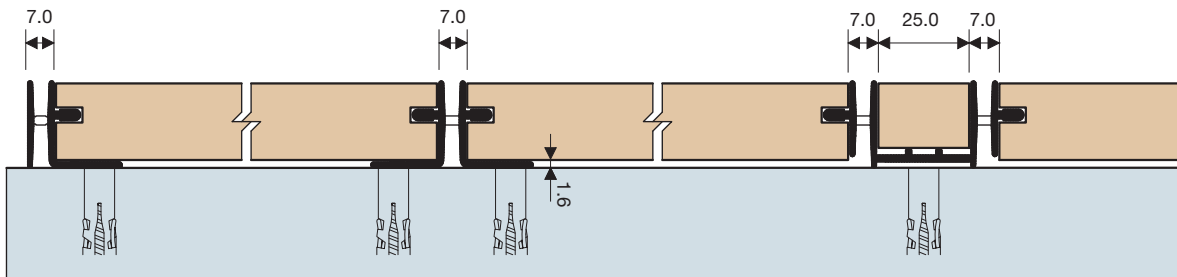
3M BARS.



INTERMEDIATE RACK. FOR 19MM PANEL.

ANODIZED	159.430.515	10
----------	-------------	----

3M BARS.

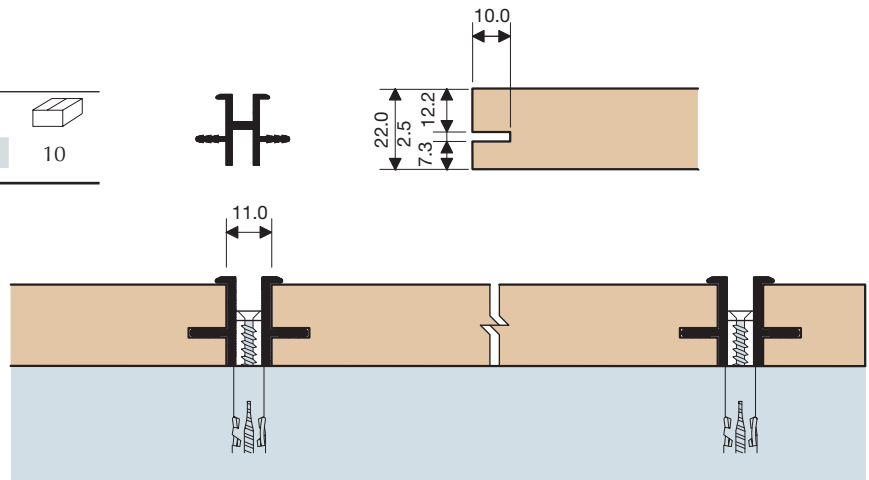


■ FOR DIFFERENT PANEL THICKNESSES

INTERMEDIATE RACK FOR 18 TO 22MM PANEL.

ANODIZED	159.830.510	10
----------	-------------	----

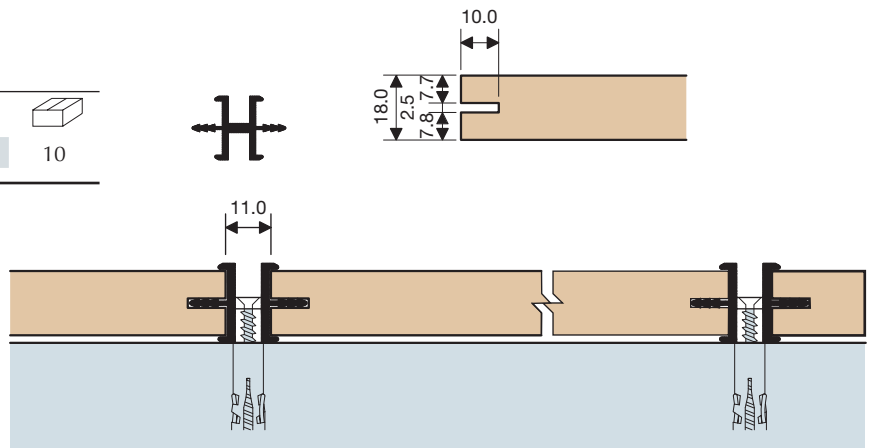
3M BARS.



INTERMEDIATE RACK FOR 16 TO 18MM PANEL.

ANODIZED	159.730.513	10
----------	-------------	----

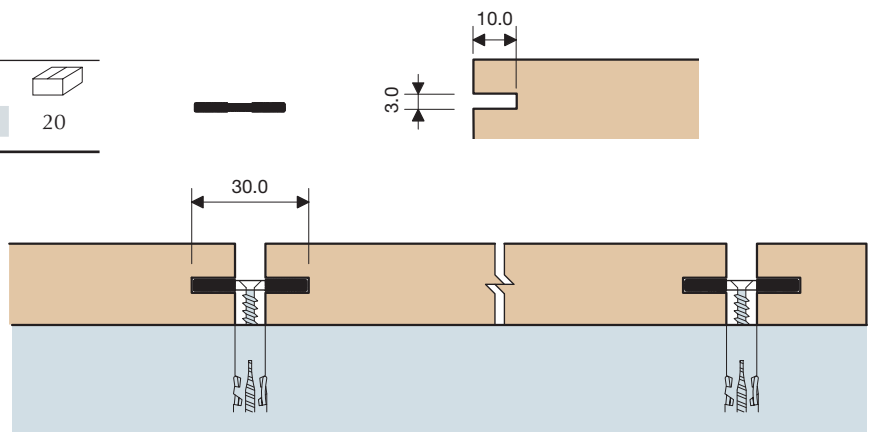
3M BARS.

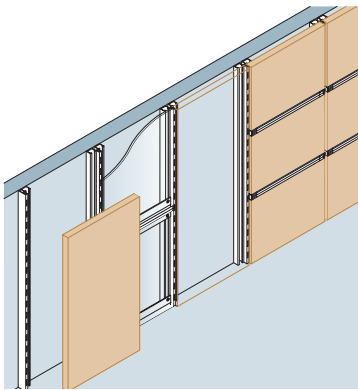


INTERMEDIATE RACK FOR ANY THICKNESS.

ANODIZED	159.630.516	20
----------	-------------	----

3M BARS.





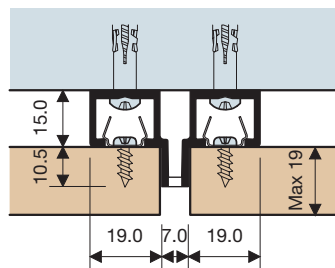
3 HORIZONTAL AND VERTICAL PANELLING SYSTEMS: "HEAVY"

FOR PANELS UP TO 19MM.

SINGLE RACK.

ANODIZED	156.030.512	5
----------	-------------	---

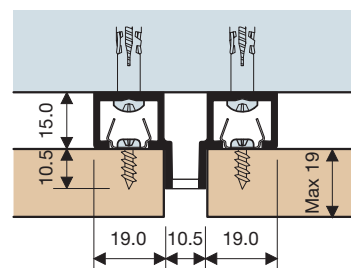
3M BARS.



DOUBLE RACK.

ANODIZED	156.130.516	5
----------	-------------	---

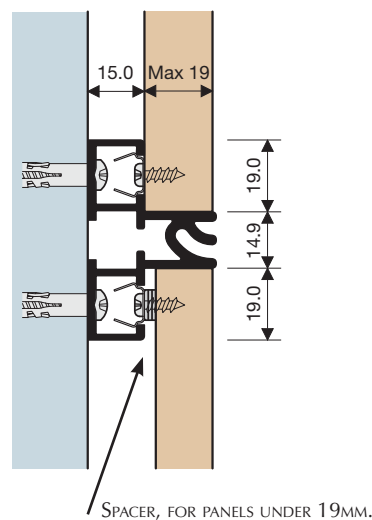
3M BARS.



HORIZONTAL PANELLING PROFILE.

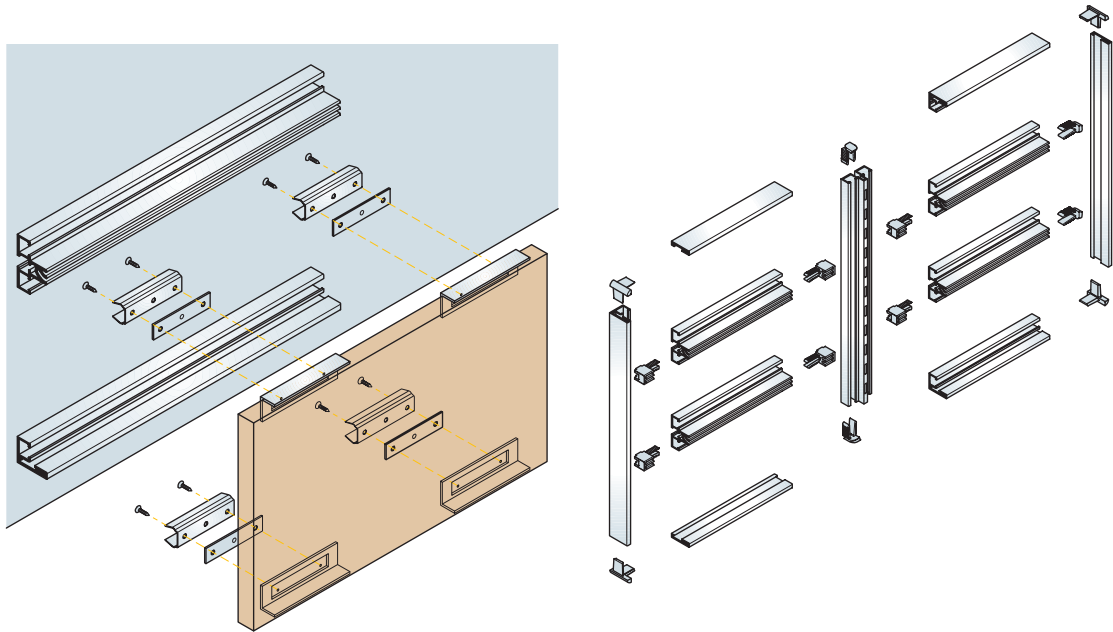
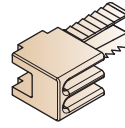
ANODIZED	156.230.513	4
----------	-------------	---

6M BARS.

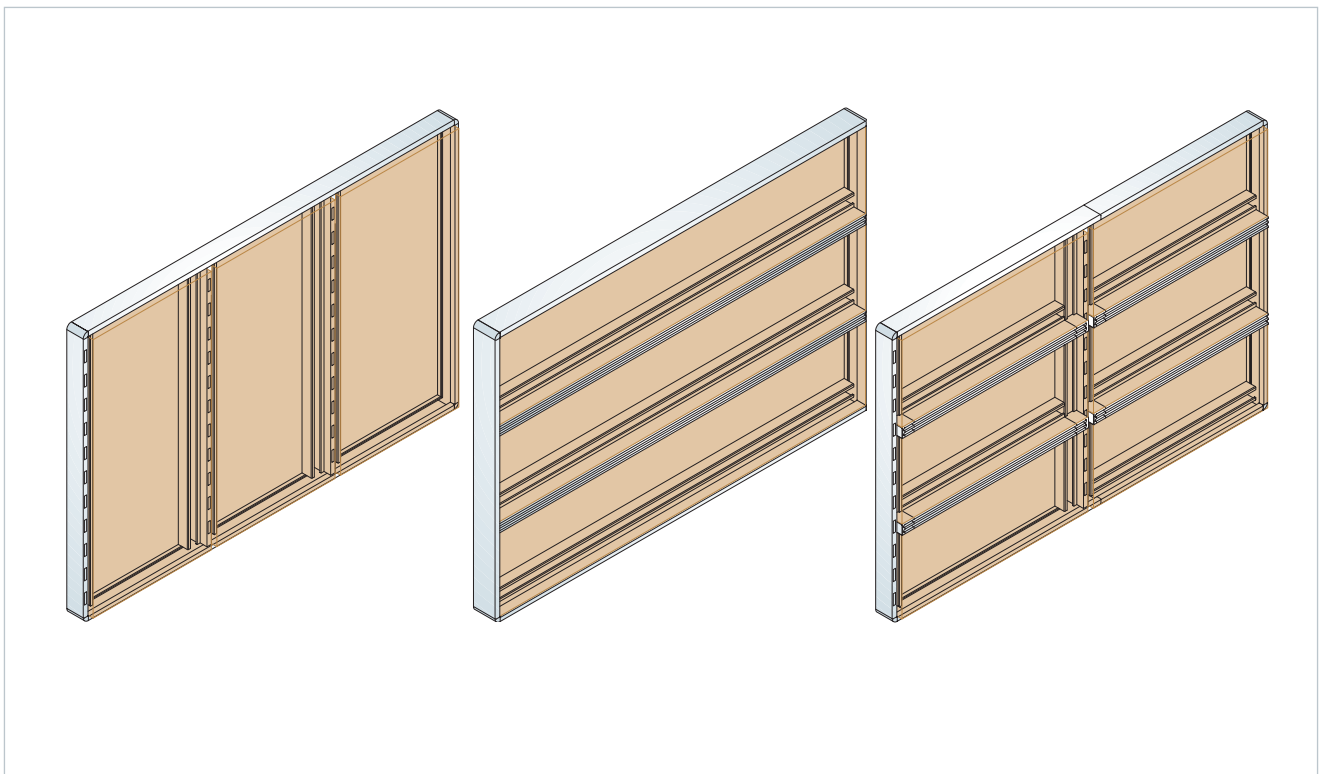


HORIZONTAL INTERMEDIATE COVER.

	
GREY	157.300.312 20



Sample set-ups



■ 25.5MM

VERTICAL/HORIZONTAL JOINING PIECE WITH RACK 25.5MM.

ANODIZED	156.430.514	10
----------	-------------	----

3M BARS.



VERTICAL/HORIZONTAL JOINING PIECE 25.5MM.

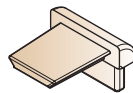
ANODIZED	156.630.515	10
----------	-------------	----

3M BARS.



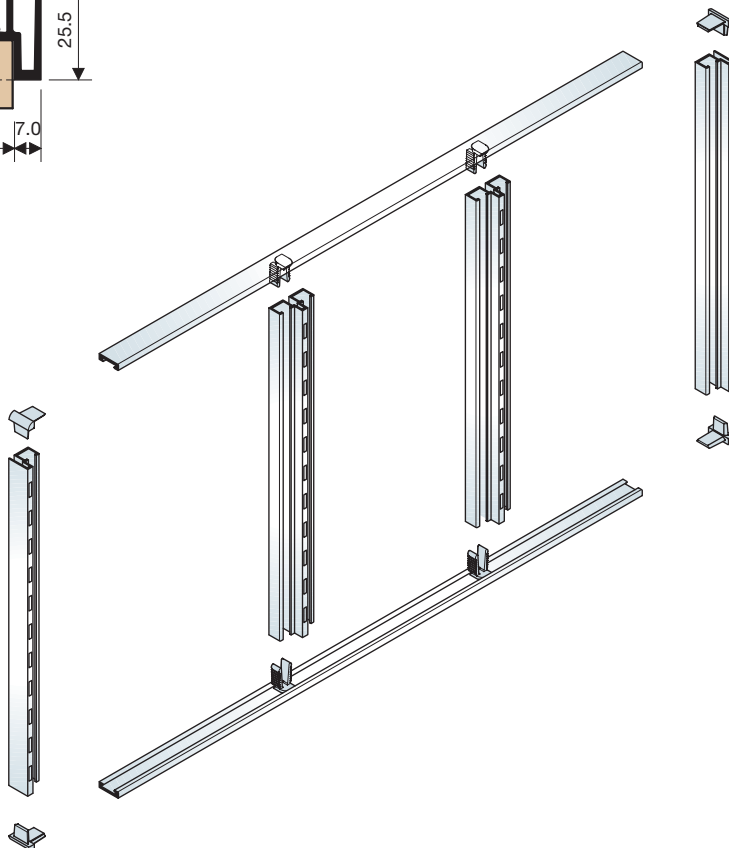
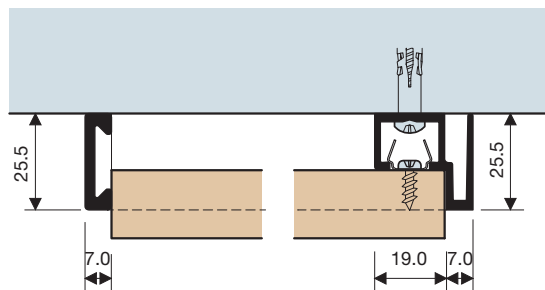
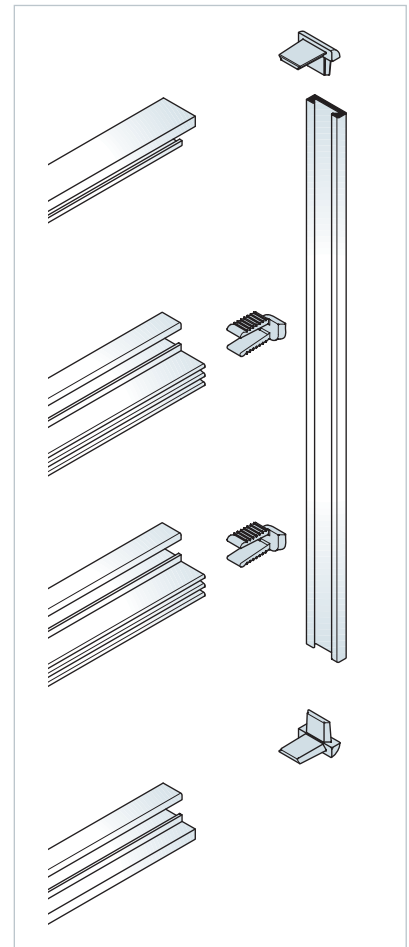
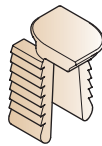
CORNER COVER 25.5MM.

GREY	157.725.315	20
------	-------------	----



HORIZONTAL/VERTICAL INTERMEDIATE JOINING SEAL.

GREY	157.200.315	20
------	-------------	----



■ 34.5MM

VERTICAL/HORIZONTAL JOINING PIECE 34.5MM.

ANODIZED	156.530.511	10
----------	-------------	----

3M BARS.



VERTICAL/HORIZONTAL JOINING PIECE 34.5MM.

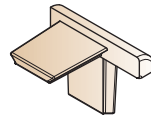
ANODIZED	156.630.515	10
----------	-------------	----

3M BARS.



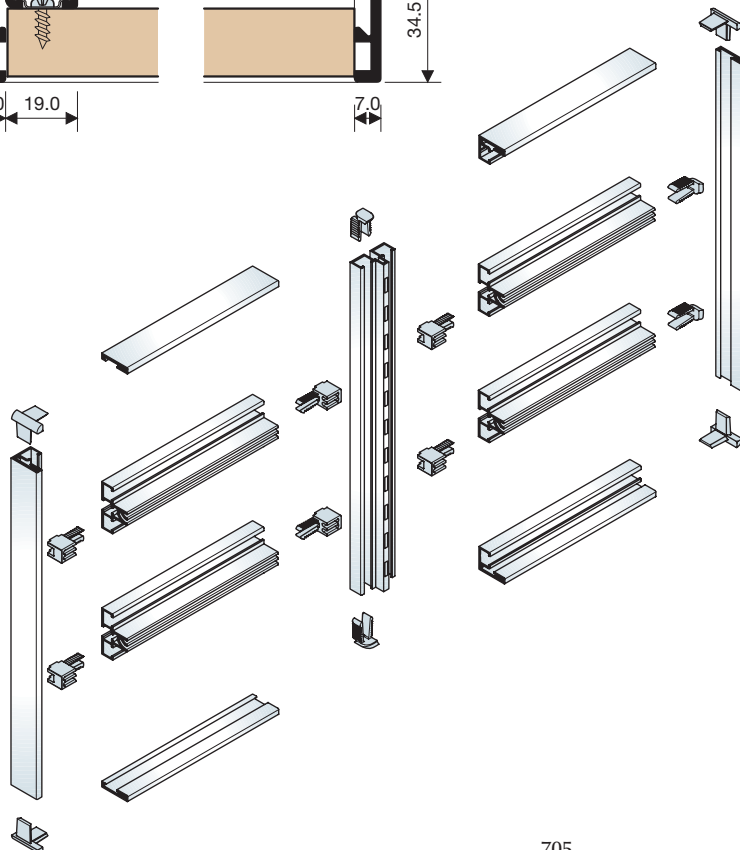
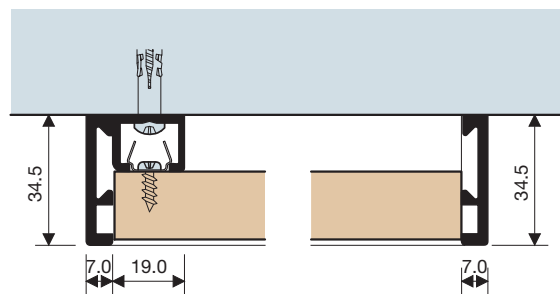
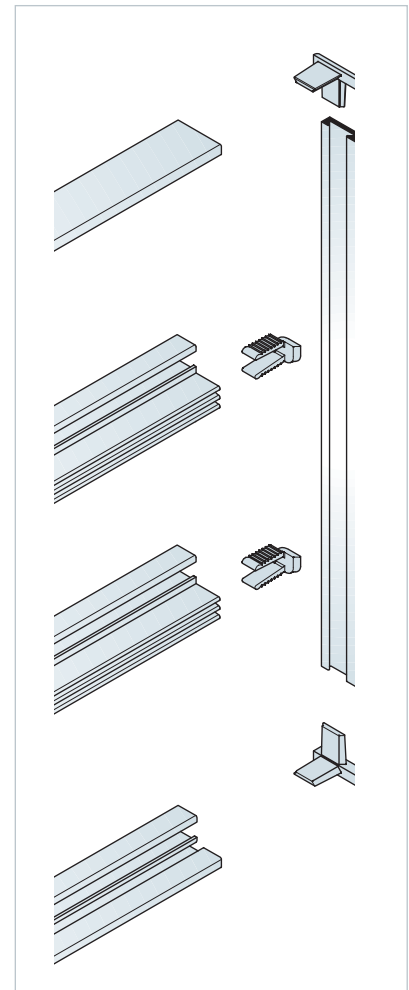
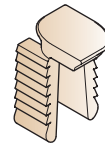
CORNER COVER 34.5MM.

GREY	157.734.312	20
------	-------------	----

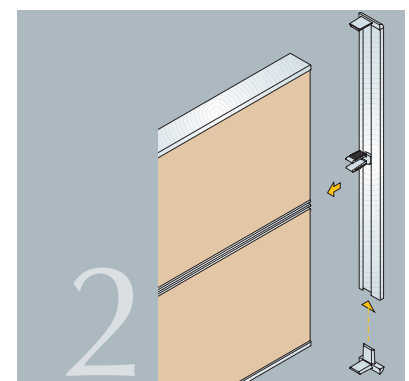
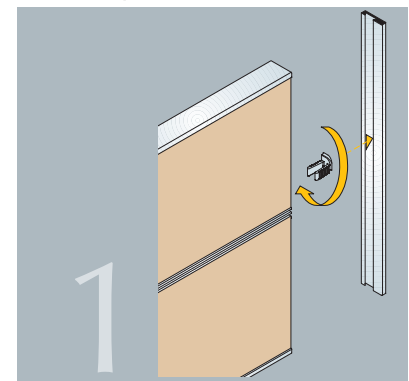


HORIZONTAL/VERTICAL INTERMEDIATE JOINING SEAL.

GREY	157.200.315	20
------	-------------	----

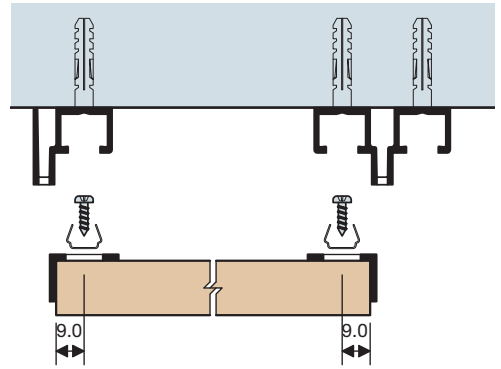
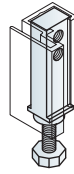


Assembly



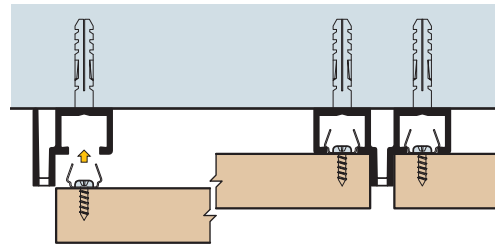
ADJUSTABLE LEG.

			
	154.300.031		10



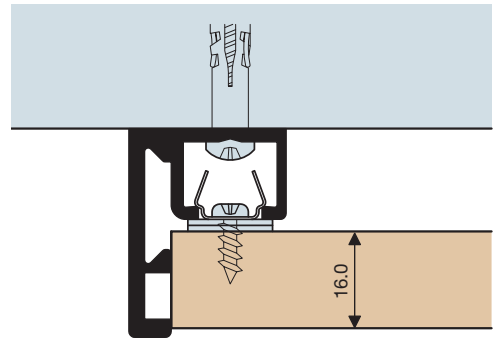
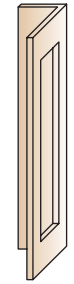
PANEL COUPLER.

			
ANODIZED	154.400.035		40



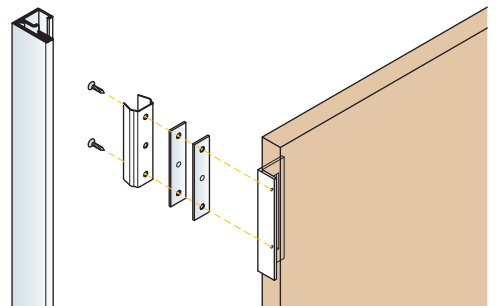
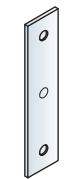
POSITIONING BRACKET.

			
GREY	154.500.032		20

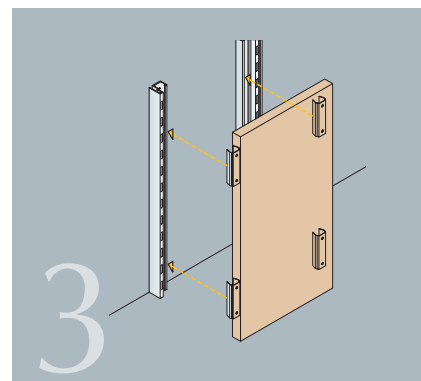
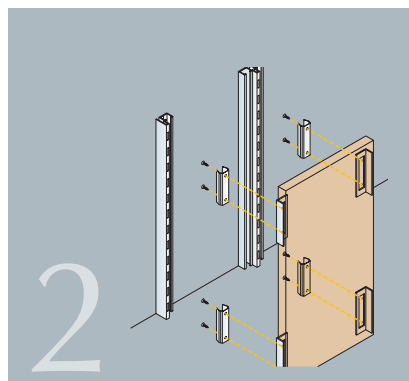
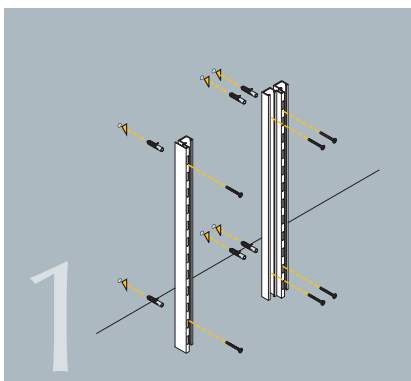


1 MM-THICK SPACER.

			
GREY	154.600.036		40



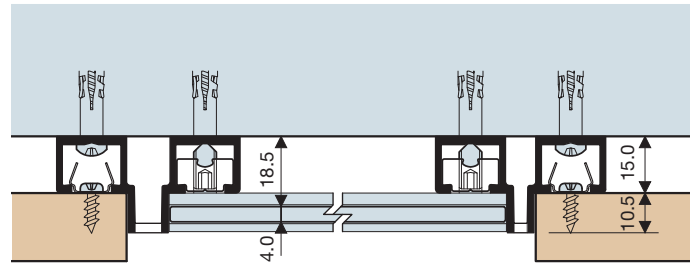
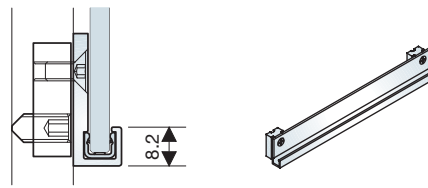
Assembly



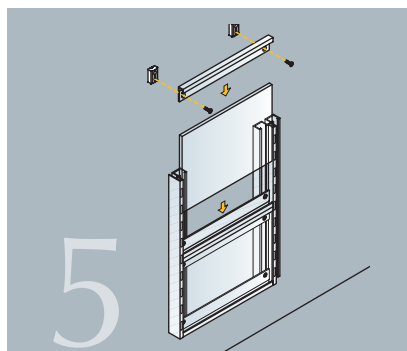
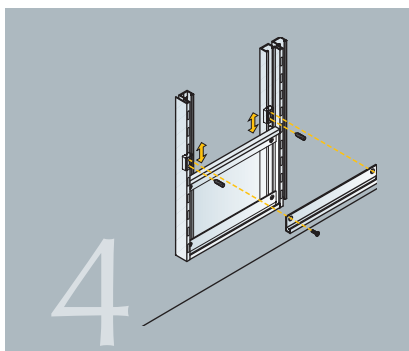
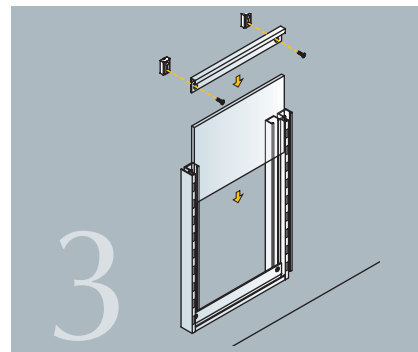
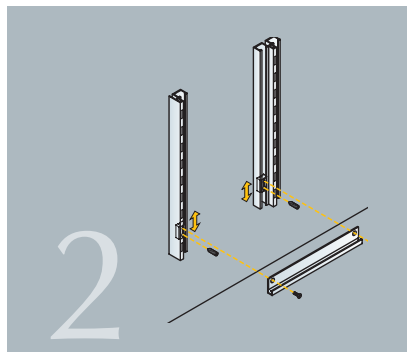
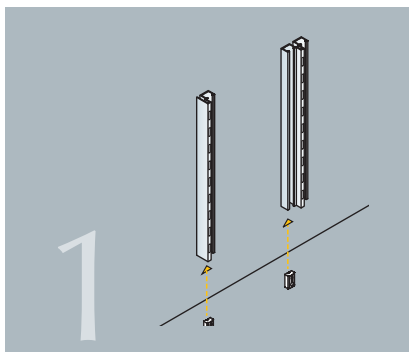
TRANSVERSAL PROFILE FOR GLASS.

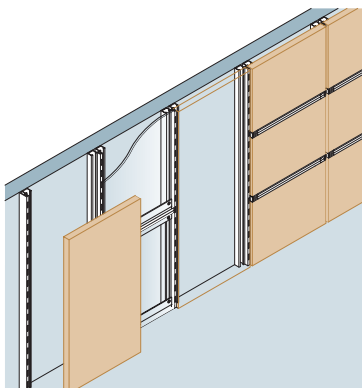
ANODIZED	155.830.511	2
----------	-------------	---

FOR 4MM GLASS. MACHINED TO MEASURE. IT CONTAINS THE TONGUE-PIECES FOR GLASS AND THE NECESSARY FITTINGS.



Assembly





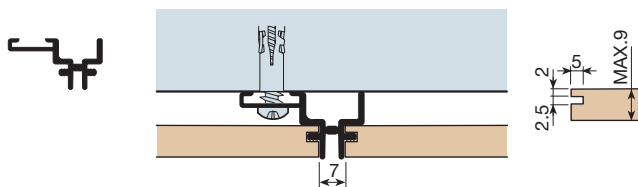
3 HORIZONTAL AND VERTICAL PANELLING SYSTEMS: "THIN WALL"

FOR 8 AND 9MM PANELS.

SINGLE RACK PROFILE.

ANODIZED	155.030.514	10
----------	-------------	----

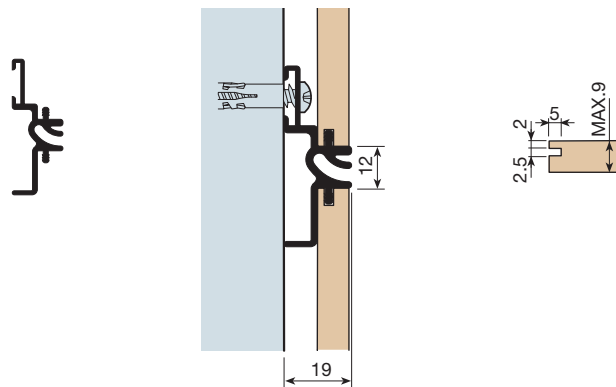
3M BARS.



HORIZONTAL PANELLING PROFILE.

ANODIZED	155.130.511	10
----------	-------------	----

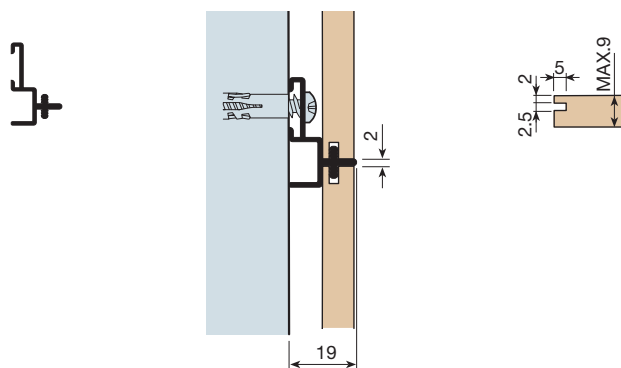
3M BARS.



HORIZONTAL/VERTICAL INTERMEDIATE DISPLAYED PROFILE.

ANODIZED	155.230.515	10
----------	-------------	----

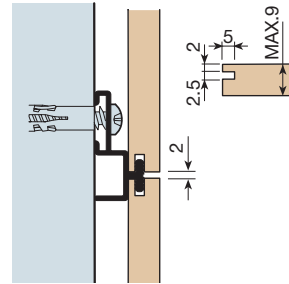
3M BARS.



HORIZONTAL/VERTICAL INTERMEDIATE CONCEALED PROFILE.

ANODIZED	155.130.512	10
----------	-------------	----

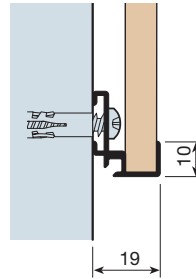
3M BARS.



HORIZONTAL/VERTICAL DISPLAYED END PROFILE 10MM.

ANODIZED	155.430.516	10
----------	-------------	----

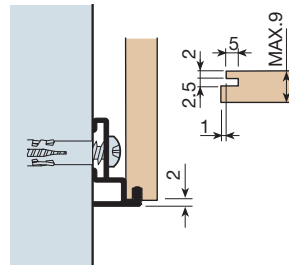
3M BARS.



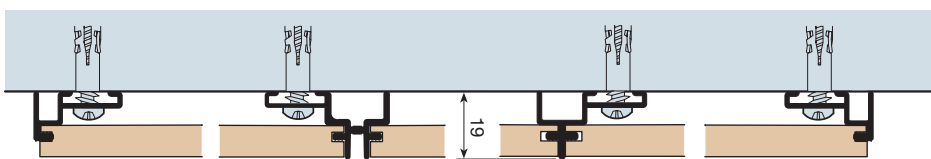
HORIZONTAL/VERTICAL CONCEALED END PROFILE .

ANODIZED	155.530.513	10
----------	-------------	----

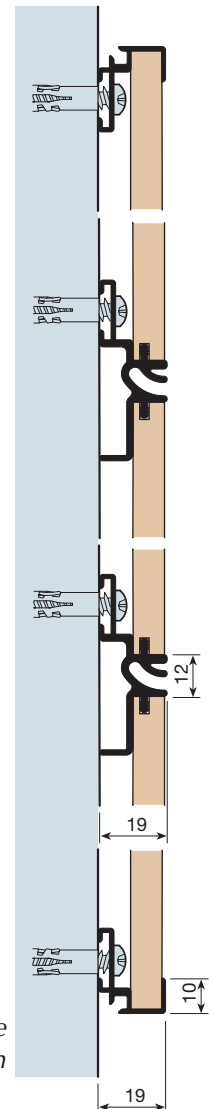
3M BARS.

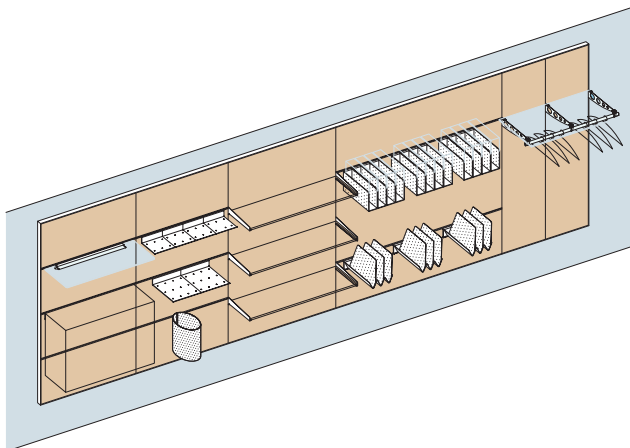


Sample vertical section



Sample horizontal section






4 HORIZONTAL PANELLING ACCESSORIES

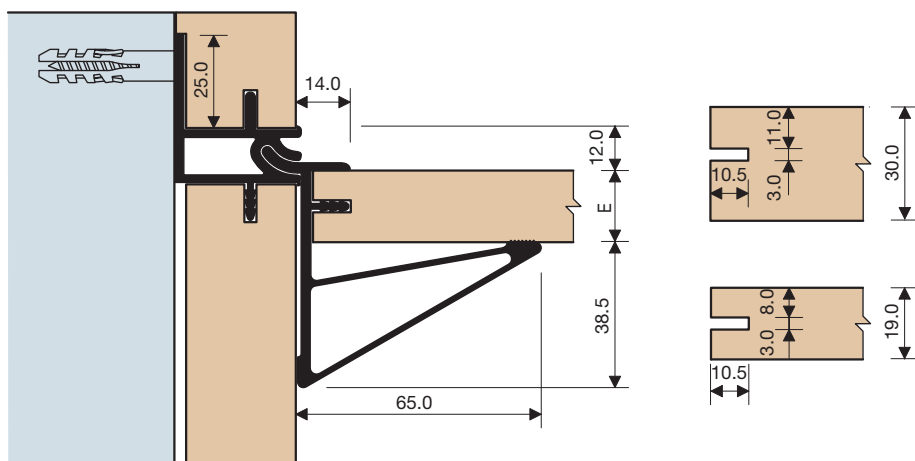
ACCESSORIES FOR HORIZONTAL PANELLING SYSTEMS.
ACCESSORIES FOR VERTICAL PANELLING SYSTEMS.
ACCESSORIES FOR INDEPENDENT PROFILE SYSTEMS.
EASILY ADAPTABLE TO ALL PANELLING SYSTEMS.

WOODEN SHELF SUPPORT

WOODEN SHELF SUPPORT.

E THICKNESS	19MM.	30MM.	
ANODIZED	158.019.514	158.030.515	1

CUT TO SIZE, EACH REFERENCE HAS A SUPPORT WITH THE CORRESPONDING GREY PLASTIC COVERS.



SLIDING PROFILE FOR BEDS.

ANODIZED	155.730.514		5
----------	-------------	---	---

3M BARS.

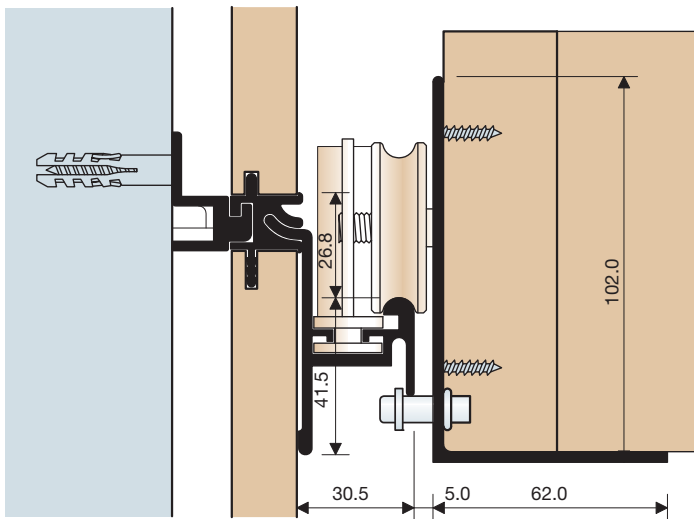
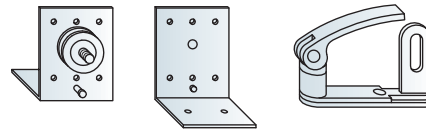


WOODEN SHELF SUPPORT

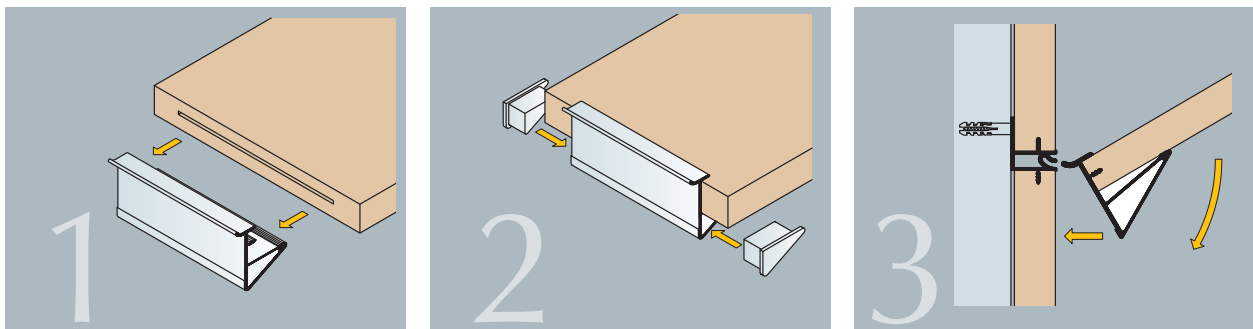
BAG OF COMPONENTS, BED SUPPORT.

SET FOR ONE BED	154.900.104	10
-----------------	-------------	----

EACH BAG CONTAINS TWO SUPPORT BRACKETS FOR THE HEADBOARD AND TWO BRAKES.



Assembly

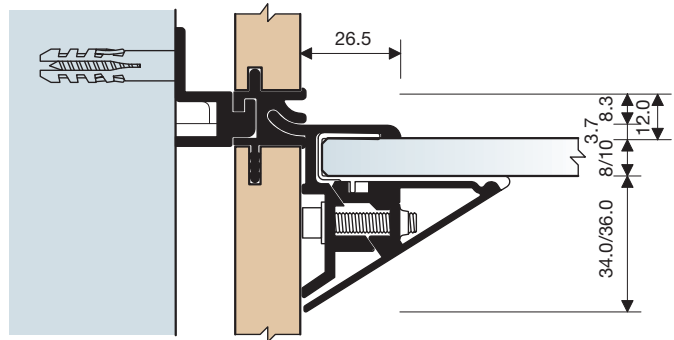


■ GLASS SHELF SUPPORT

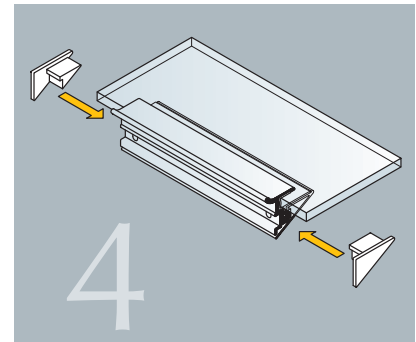
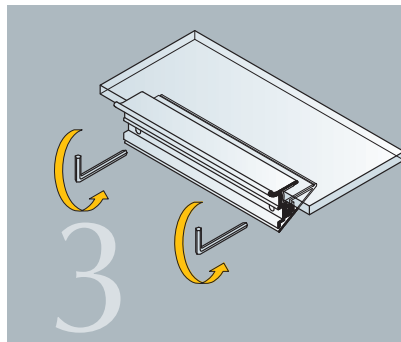
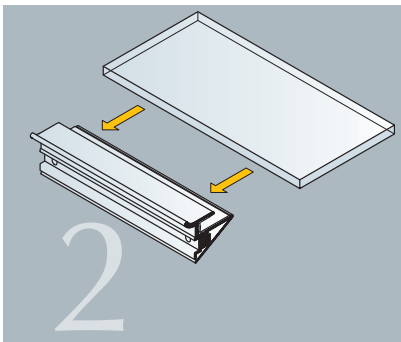
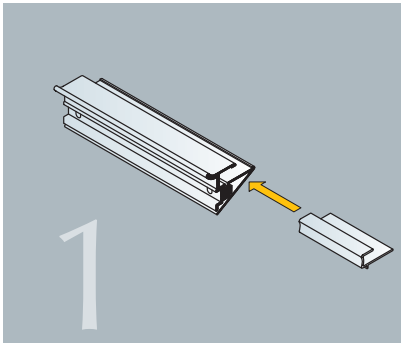
GLASS SHELF SUPPORT.

SHELF THICKNESS	8-10MM.	
ANODIZED	158.100.515	1

CUT TO SIZE, EACH REFERENCE HAS ONE SUPPORT WITH THE CORRESPONDING GREY PLASTIC COVERS.



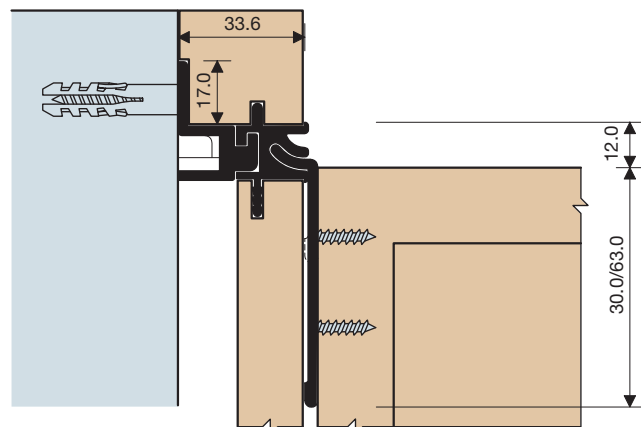
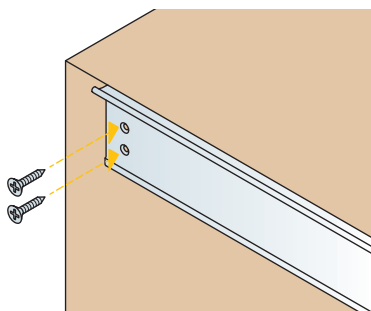
Assembly



COUPLER PROFILE.

ANODIZED	155.900.511	
		5

CUT TO SIZE.

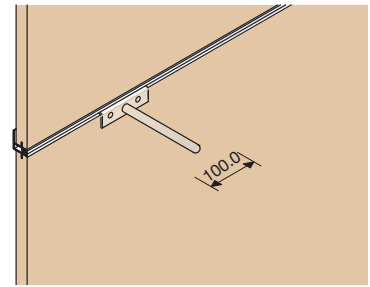
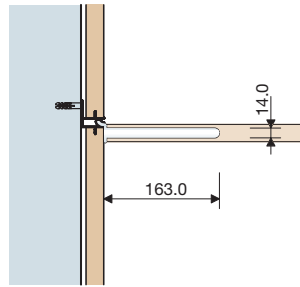


■ ACCESSORIES

WOODEN SHELF SUPPORT.

ANODIZED	160.000.514	10

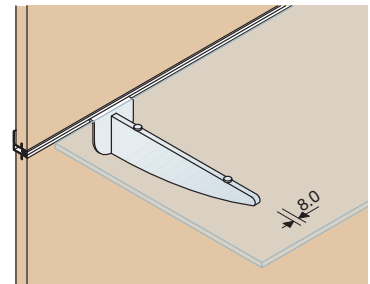
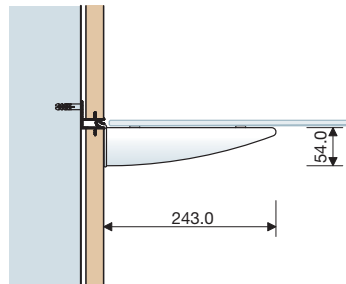
FOR 5 SHELVES.



GLASS SHELF SUPPORT.

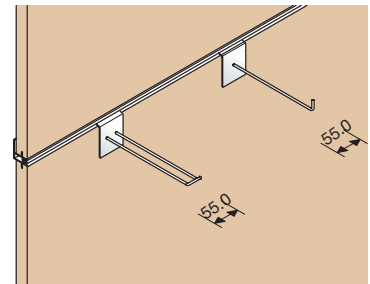
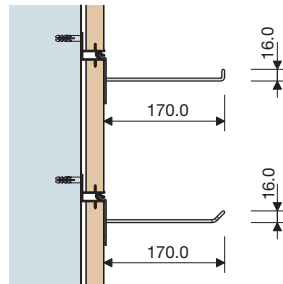
ANODIZED	160.100.511	10

FOR 5 SHELVES.



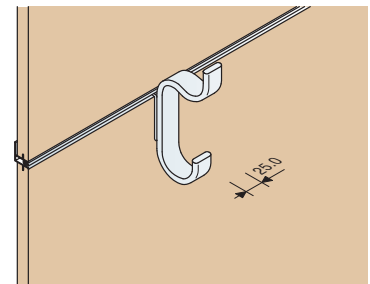
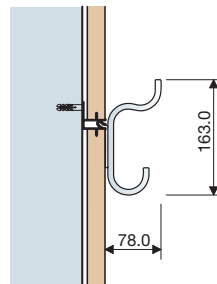
BLISTER RACK

	ANODIZED	
SINGLE	160.810.510	5
DOUBLE	160.820.516	6



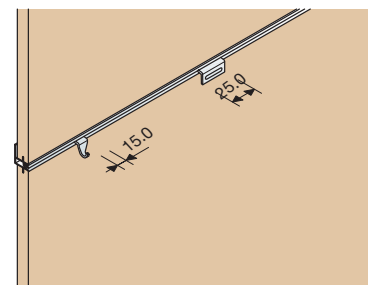
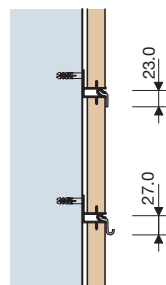
HOOK HANGER.

ANODIZED	160.900.515	10



MISCELLANEOUS.

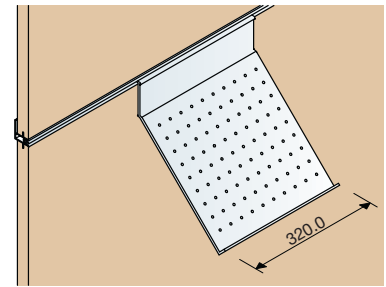
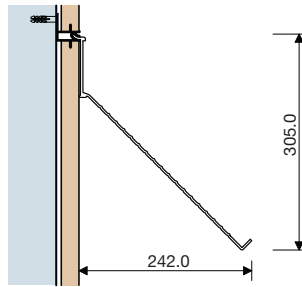
Hook	161.215.515	20
CUSHION SUPPORT	161.225.514	



■ ACCESSORIES

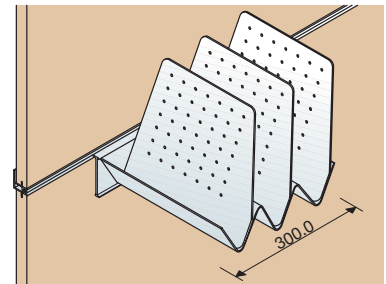
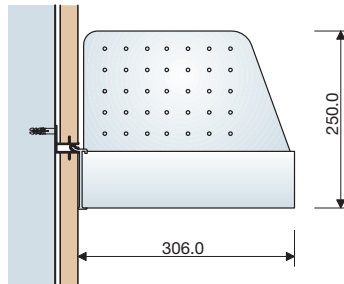
STAND

			
ANODIZED	160.300.512	1	



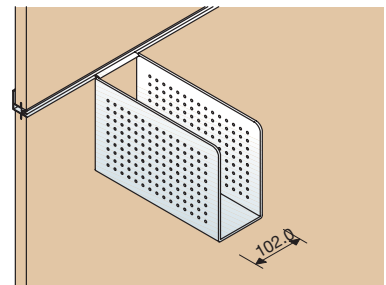
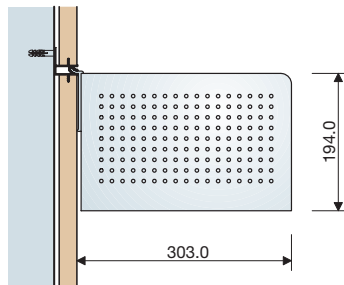
FOLDER-STAND.

			
ANODIZED	160.400.516	1	




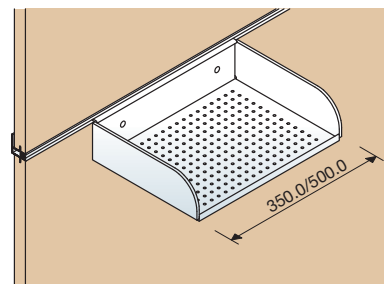
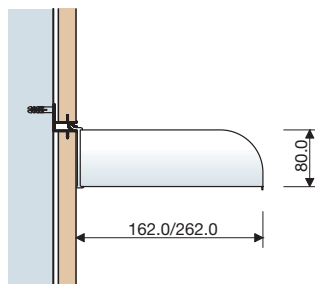
FILE-HOLDER.

			
ANODIZED	160.500.513	1	




TRAY SHELF.

LENGTH	350	500	
DEPTH 162	160.635.510	160.650.512	1
DEPTH 262	160.735.514	160.750.516	
ANODIZED			

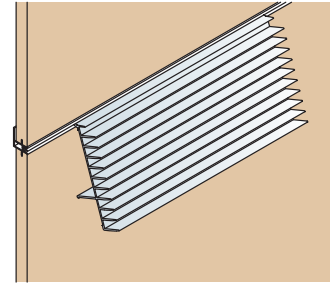
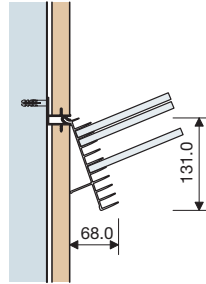


ACCESSORIES

CD RACK.

LENGTH	510MM.	760MM.	TO MEASURE	
ANODIZED	161.051.516	161.076.510	161.000.512	1

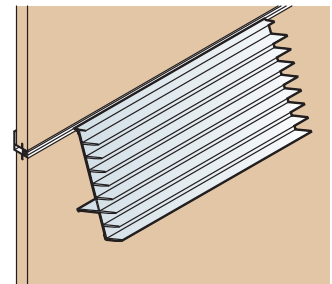
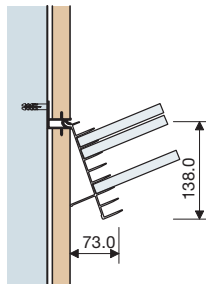
WITH END COVERS.



DVD RACK.

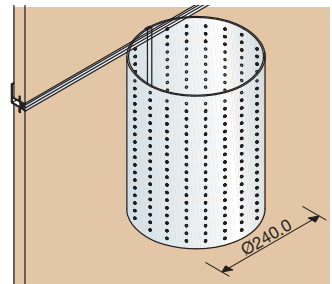
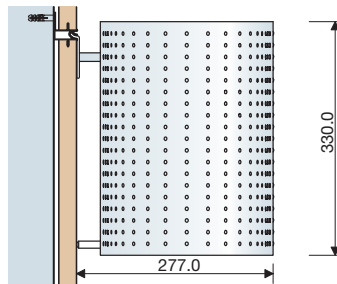
		TO MEASURE	
ANODIZED		161.100.516	1

WITH END COVERS.



BASKET

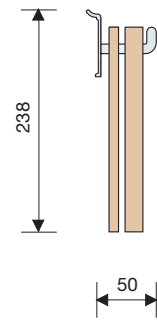
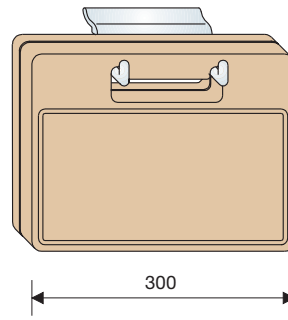
ANODIZED	160.200.515	1
----------	-------------	---



■ ACCESSORIES

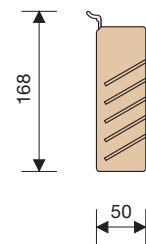
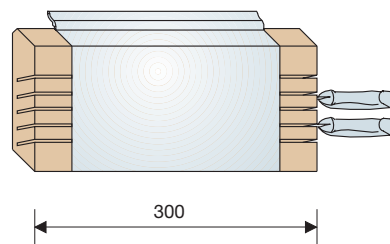
CHOPPING BOARD RACK.

ANODIZED	163.400.510	1
----------	-------------	---



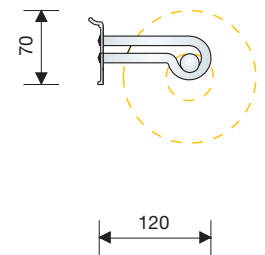
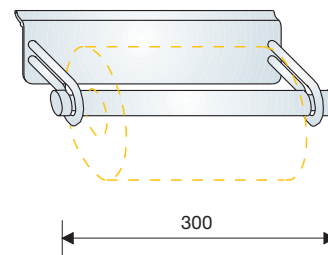
KNIFE-HOLDER.

ANODIZED	163.600.511	1
----------	-------------	---



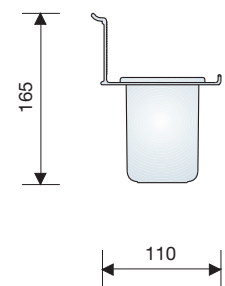
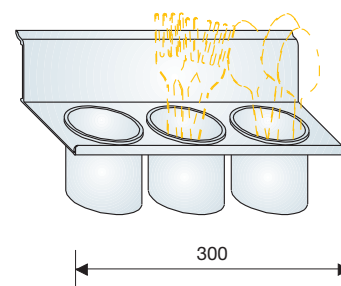
KITCHEN ROLL HOLDER.

ANODIZED	163.800.512	1
----------	-------------	---



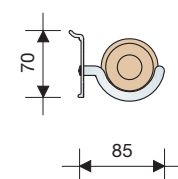
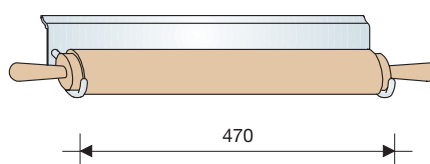
JAR HOLDER.

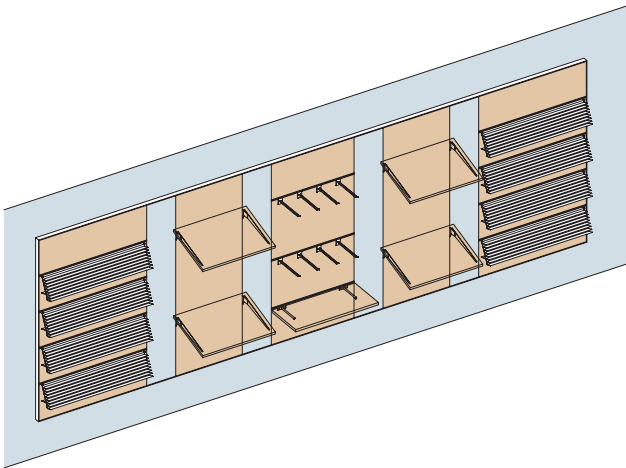
ANODIZED	163.500.514	1
----------	-------------	---



ROLLING PIN HOLDER WITH ROLLING PIN.

ANODIZED	163.700.515	1
----------	-------------	---





5 VERTICAL PANELLING ACCESSORIES

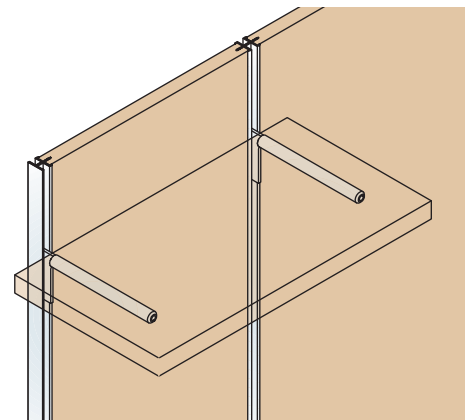
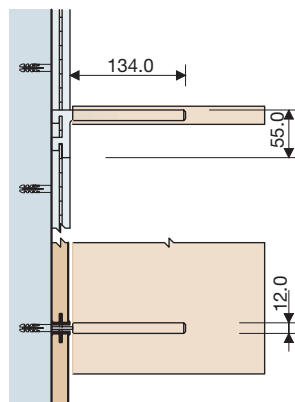
ACCESSORIES FOR HORIZONTAL PANELLING SYSTEMS.
ACCESSORIES FOR VERTICAL PANELLING SYSTEMS.
ACCESSORIES FOR INDEPENDENT PROFILE SYSTEMS.
EASILY ADAPTABLE TO ALL PANELLING SYSTEMS.

WOODEN SHELF SUPPORT

WOODEN SHELF SUPPORT.

ANODIZED	161.300.510	10
----------	-------------	----

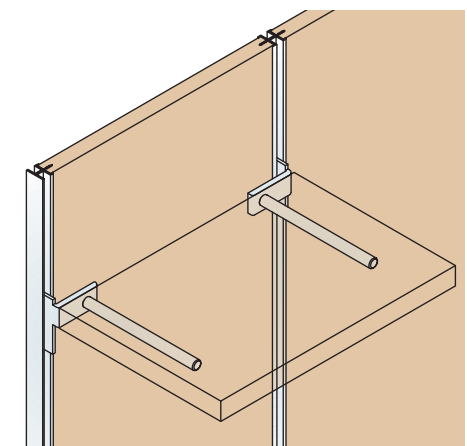
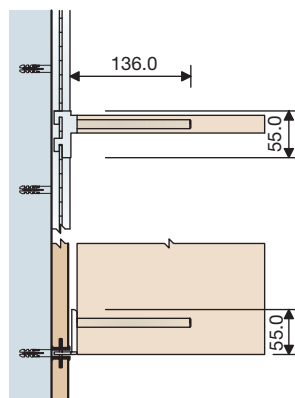
FOR 5 SHELVES.



WOODEN SHELF SUPPORT.

ANODIZED	161.400.514	10
----------	-------------	----

FOR 5 SHELVES.

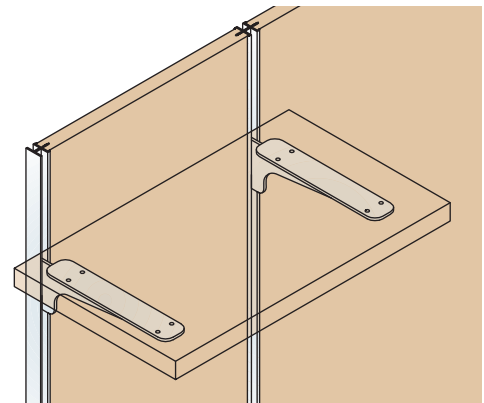
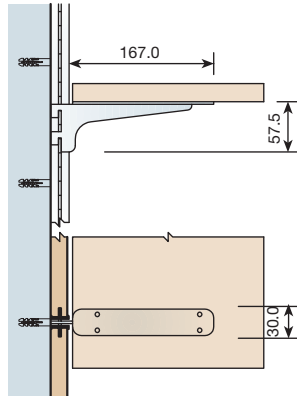


WOODEN SHELF SUPPORT

WOODEN SHELF SUPPORT.

ANODIZED	161.500.511	10
----------	-------------	----

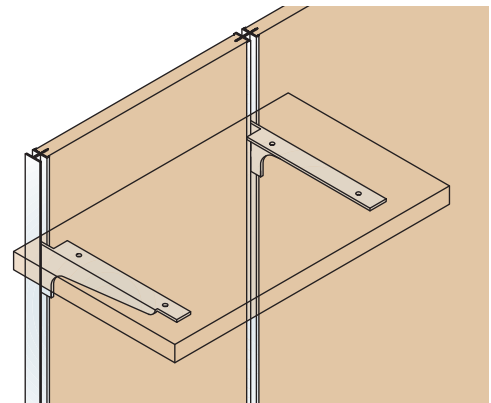
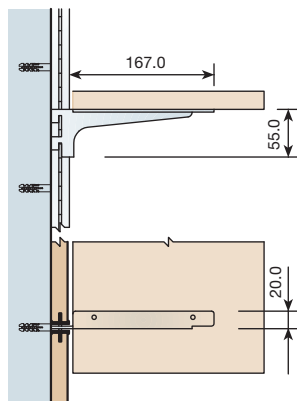
FOR 5 SHELVES.



WOODEN SHELF SUPPORT.

ANODIZED	161.600.515	10
----------	-------------	----

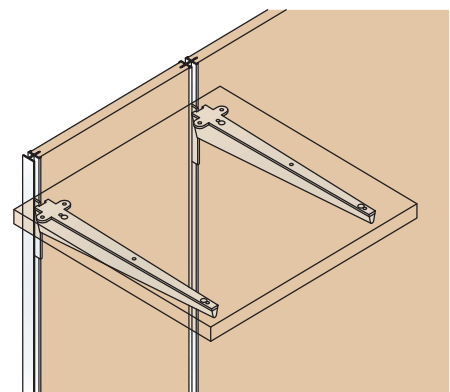
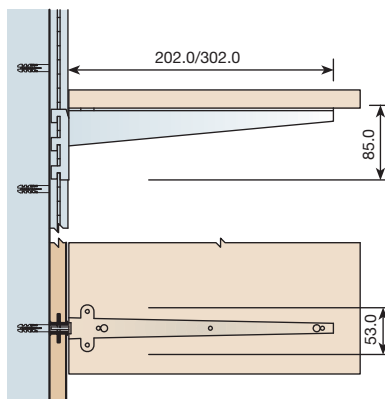
FOR 5 SHELVES.



WOODEN SHELF SUPPORT.

LENGTH	200	300	
ANODIZED	161.720.510	161.730.516	10

FOR 5 SHELVES.

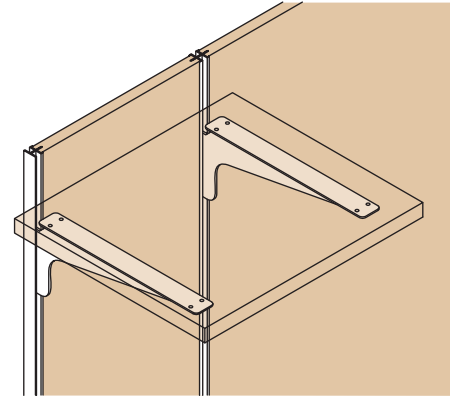
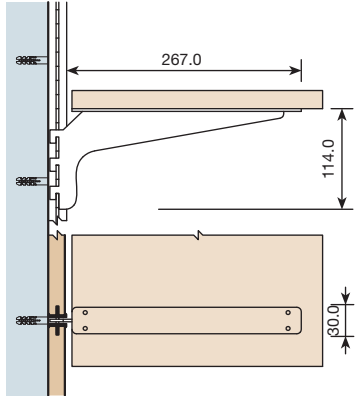


WOODEN SHELF SUPPORT

WOODEN SHELF SUPPORT.

ANODIZED	162.000.510	10
----------	-------------	----

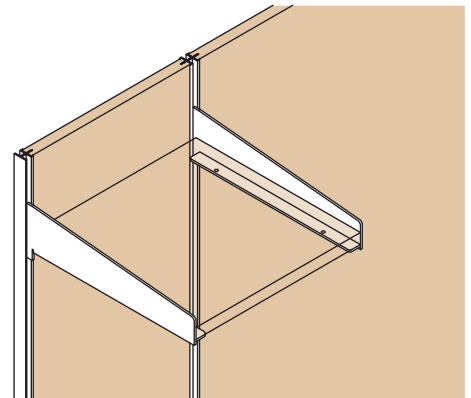
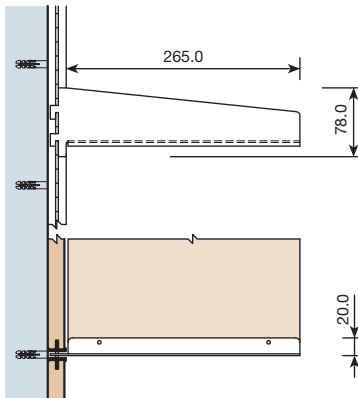
FOR 5 SHELVES.



WOODEN SHELF SUPPORT.

ANODIZED	162.100.514	10
----------	-------------	----

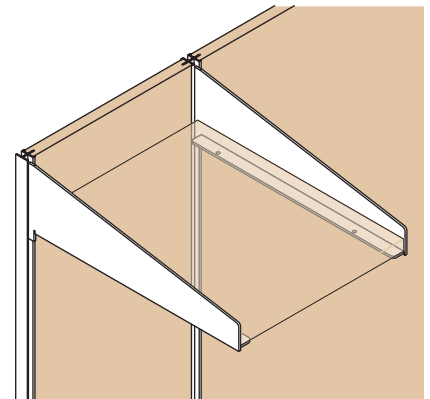
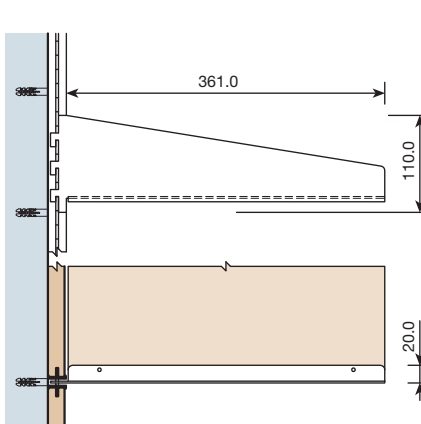
FOR 5 SHELVES.



WOODEN SHELF SUPPORT.


ANODIZED	162.200.511	10
----------	-------------	----

FOR 5 SHELVES.

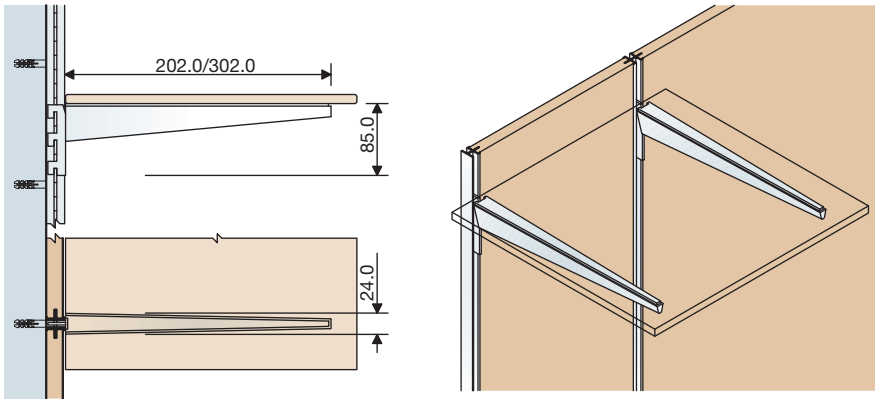


GLASS SHELF SUPPORT

GLASS SHELF SUPPORT.


LENGTH	200	300	
ANODIZED	161.820.514	161.830.513	10

FOR 5 SHELVES.

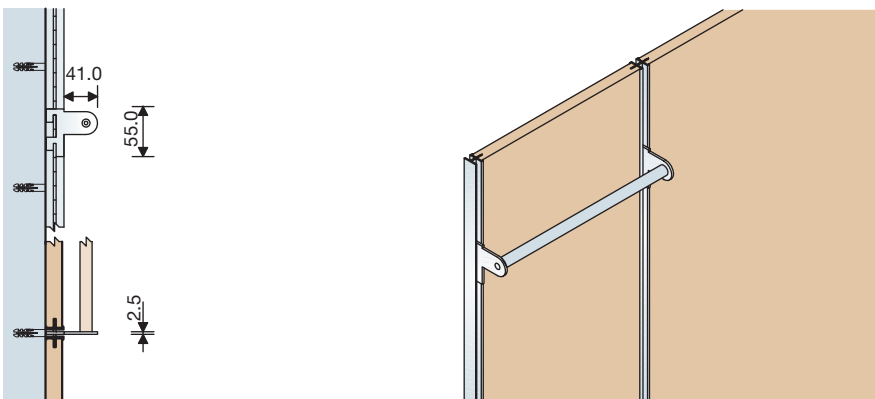


ACCESSORIES

BAR SUPPORT.


		
ANODIZED	162.300.515	10

FOR 10 BARS.



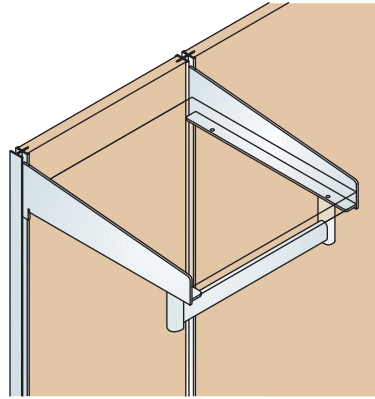
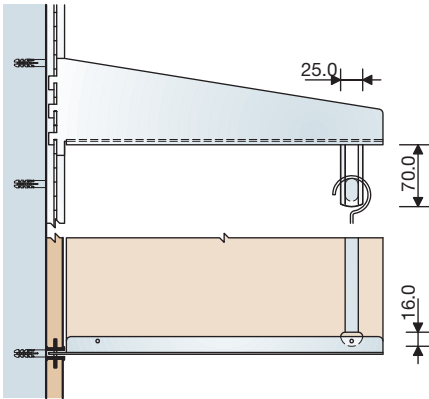
■ ACCESSORIES

HANGING BAR.

	ANODIZED	
PLAIN	162.530.513	10
RIBBED	162.630.510	



3M BARS.



TUBE SUPPORT.

	ANODIZED	
ANODIZED	162.700.510	10

